

# Haojue

## PARTS CATALOGUE

# TR150S



## PREFACE

This catalogue lists the spare parts used for the following model. Please do refer to the parts catalogue and indicate the parts number and the name listed in this catalogue correctly when you need to replace the spare parts.

Design Code	Factory Reference No. (Abbr. form in the catalogue)	Engine Reference No.	Engine Cad No.
TR150S	FA373EU10F-XXE09	EG3EU28-E09	10091H3E030H000

### 一、 How to place an order for spare parts?

#### 1. Required document:

The number must be provided as follow when order the spare parts:

- (a) The Engine parts: parts number and the Engine number
- (b) The Body parts: parts number and the Frame number

#### 2. Revision

The Revised Version would be published at a suitable time when the parts Catalogue needed to be revised or renewed. In this case, the edition number would be marked on the cover. The parts would have some difference because our products are improved continuously and the modified parts no. will not be informed before the new edition published.

### 二、 How to use the parts catalogue?

#### 1. Size

The unit of the parts' size indicated in the catalogue is 'mm', for example:

Parts name	Description
Bolt 6×12	Diameter 6mm, Length 12mm

O Ring D: 3.0, ID: 29.5	Section diameter 3mm, inner diameter 29.5mm
Bearing 35×72×17	Inner diameter 35mm, Outer diameter 72mm, Thickness 17mm

#### 2. Abbr.

The meaning of the Abbreviations in the catalogue are as the followings:

D: Section diameter NT: Number of Teeth L: Length ID: Inner diameter W: Width

OPT: Optional T: Thickness OD: Outer diameter OS: Over size

STD: Standard US: Under size LH: Left hand side RH: Right hand side

#### 3. Assy and the inner parts

The part number with a hyphen '-' in the front means this part could be supplied with the Assy (or the comp.), also could be supplied separately.

For example:

Item 1 CYLINDER HEAD ASSY

Item1-1 PIN,CAMSHAFT COVER

That means Item1-1 can be supplied with Item 1 and aslo can be supplied separately.

#### 4. The illustrations in the catalogue are just for the purpose to distinguish the parts. There might be some discrepancies between the illustrations and the real parts.. Furthermore, the illustrations can not be used for the assembling purpose. When assembling, pls use the Service Manual of the relative models.

#### 5. The instruction for the color parts

The catalogue lists are being supervised by color code.

For example: Assy,Fuel Tank 44100H22000HF01 F01 is the colour code and means "RED".

When place an order for the color parts, please use the correct parts number (with the color code), based on the compound color sheet of the models.

**This catalogue is edited according to the datas before 2022-10-29. The modification after that time should refer to the latest SPS(Spare Parts Modification notice).**

**TR150S COLOR TABLE FA373EU10F-XXE09 3 COLOR STYLES**

REF. NO.	DESCRIPTION	PART NO.	a03 BLUE	a04 RED	a05 BLACK	REMARKS
1	TANK COMP, FUEL	44110H37210H000	612	123	501	
2	COVER SET, FUEL TANK, R	44017H3720AH000	827	827	827	
3	COVER, FUEL TANK, R	44171H37200H000	827	827	827	NOT SUPPLY
4	COVER SET, FUEL TANK, L	44018H3720CH000	827	827	827	
5	COVER, FUEL TANK, L	44181H37200H000	827	827	827	NOT SUPPLY
6	COVER, FRAME, R	47111H37200H000	A10	A43	A42	
7	COVER, FRAME, L	47211H37200H000	A10	A43	A42	
8	TAPE SET, FRAME COVER TYPE	68130H37210H000	SM8	SN2	SM8	
9	ABSORBER ASSY, REAR SHOCK	62100H37200H000	K01	K01	K01	
10	HOUSING, HEADLAMP	51811H37200H000	511	511	511	
11	COVER, HEADLAMP HSG, R	51831H37200H000	827	827	827	
12	COVER, HEADLAMP SIDE, L	51841H37200H000	827	827	827	
13	COVER, HEADLAMP UPPER	51821H37200H000	827	827	827	
14	TAPE, Haojue LOGO	68170H37201H000	SJ2	SJ2	SJ2	

**TR150S COLOR TABLE FA373EU10F--XXE09 3 COLOR STYLES**

REF. NO.	DESCRIPTION	PART NO.	a03 BLUE	a04 RED	a05 BLACK	REMARKS
15	FENDER, FRONT	53111H37200H000	A10	A43	A42	
16	WHEEL, FRONT	54111H37200H000	511	511	511	
17	WHEEL COMP, REAR	64150H37200H000	511	511	511	
18	COWL, UNDER	94491H37200H000	612	123	501	
19	COVER, SEAT TAIL	45511H37200H000	612	123	501	
20	COVER, SEAT TAIL, R	45571H37200H000	612	123	501	
21	LID, SEAT TAIL COVER, R	45541H37200H000	827	827	827	
22	LID, SEAT TAIL COVER, L	45542H37200H000	827	827	827	
23	DISC, FRONT BRAKE	59211H37200H000	815	815	815	
24	CALIPER ASSY, FRONT	59300H37201H000	504	504	504	
25	HANDLE, PILLION RIDER	46211H37210H000	815	815	815	
26	BAG SET, SIDE, R	95400H37Y00H000	F04	F05	F06	
27	BASE, SIDE BOX, R	95411H37200H000	511	511	511	NOT SUPPLY
28	LID, SIDE BOX, R	95441H37200H000	612	123	501	NOT SUPPLY

**TR150S COLOR TABLE FA373EU10F-XXE09 3 COLOR STYLES**

<b>REF. NO.</b>	<b>DESCRIPTION</b>	<b>PART NO.</b>	<b>a03 BLUE</b>	<b>a04 RED</b>	<b>a05 BLACK</b>	<b>REMARKS</b>
29	BAG SET, SIDE, L	95500H37Y00H000	F04	F05	F06	
30	BASE, SIDE BOX, L	95511H37200H000	511	511	511	NOT SUPPLY
31	LID, SIDE BOX, L	95541H37200H000	612	123	501	NOT SUPPLY
32	TAPE, Haojue LOGO	68170H37210H000	SJ2	SJ2	SJ2	





**INFORMATION ILLUSTRATION INDEX**

**1**

**ENGINE & TRANSMISSION**

**2**

**ELECTRICAL**

**3**

**BODY**

**4**

**PARTS NUMBER INDEX**

**5**



Fig. 1 CYLINDER HEAD&CYLINDER HEAD COVER (P05-S010-0033)

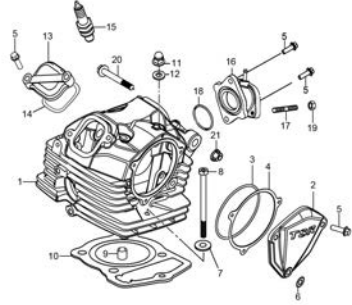


Fig. 2 CYLINDER (P05-S020-0017)

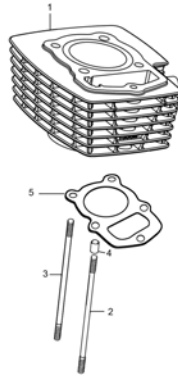


Fig. 3 CRANKCASE (P05-S030-0028)

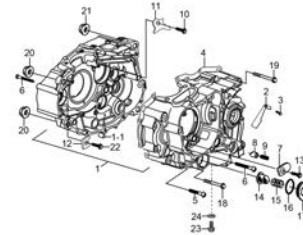


Fig. 4 CRANKCASE COVER (P05-S040-0033)

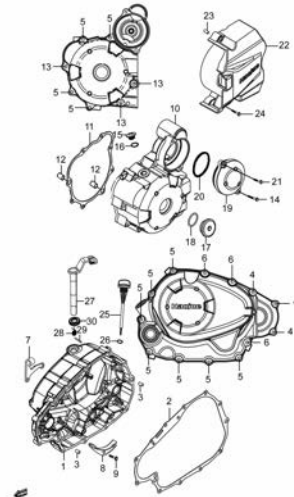


Fig. 5 CRANKSHAFT (P05-S050-0019)

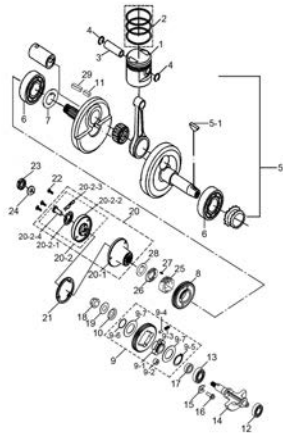


Fig. 6 STARTER CLUTCH (P05-S060-0006)

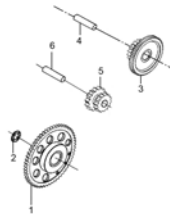


Fig. 7 CAMSHAFT-VALVE (P05-S070-0007)

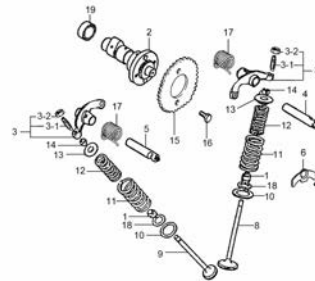


Fig. 8 CAM CHAIN (P05-S080-0017)

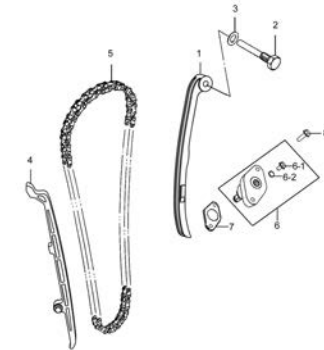




Fig. 17 KICK STARTER (P05-S165-0007)

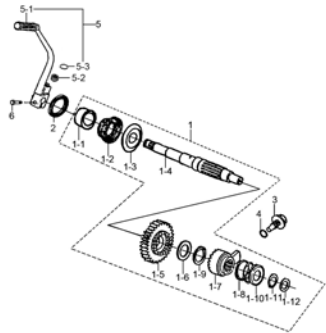


Fig. 18 STARTING MOTOR (P05-S170-0014)

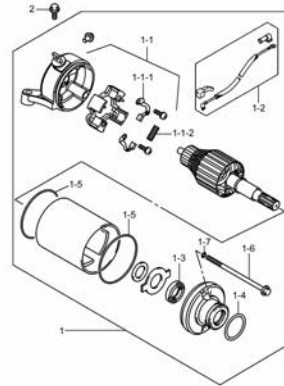


Fig. 19 MAGNETO (P05-S180-0012)

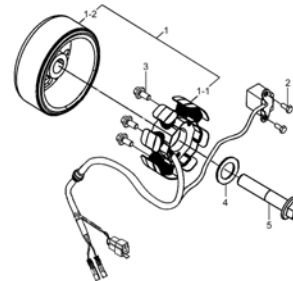


Fig. 20 BATTERY (P05-S190-0022)

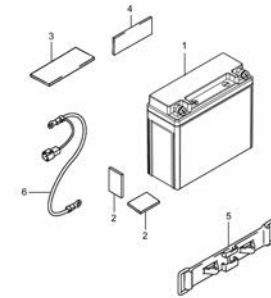


Fig. 21 ELECTRICAL (P05-S200-0031)

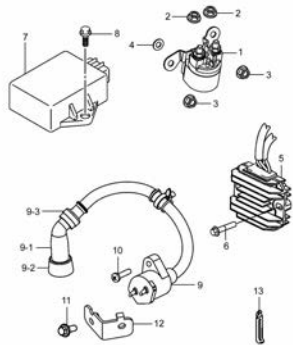


Fig. 22 SPEEDOMETER (P05-S210-0034)

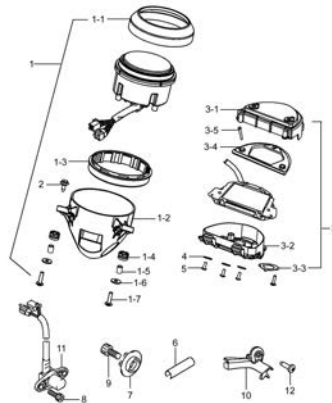


Fig. 23 HEADLAMP (P05-S220-0030)

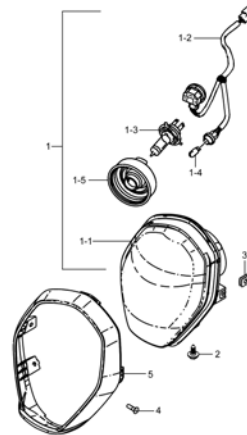


Fig. 24 TURN SIGNAL LAMP (P05-S230-0026)

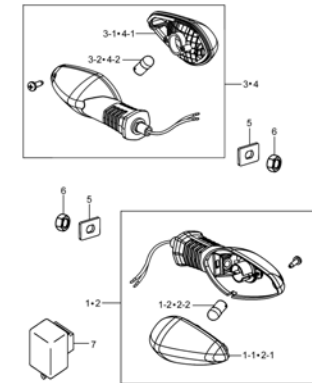


Fig. 25 REAR COMBINATION LAMP (P05-S240-0024)

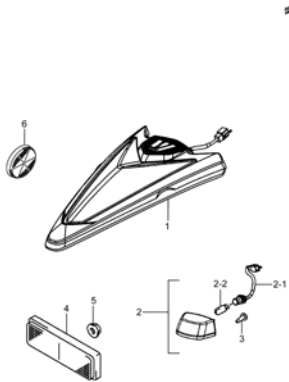


Fig. 26 WIRING HARNESS (P05-S250-0039)

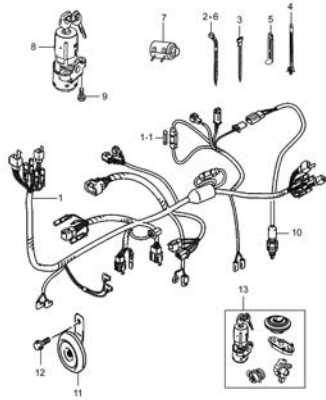


Fig. 27 FRAME (P05-S260-0055)

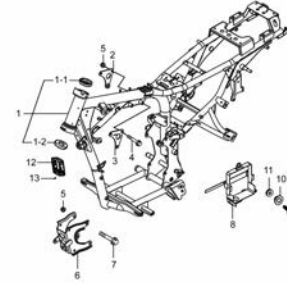


Fig. 28 STAND (P05-S270-0022)

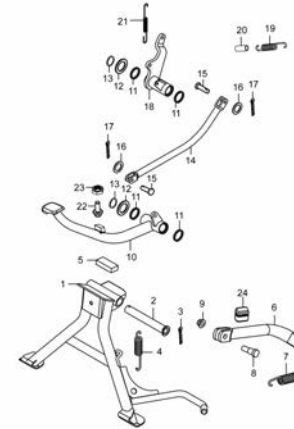


Fig. 29 FOOTREST (P05-S280-0030)

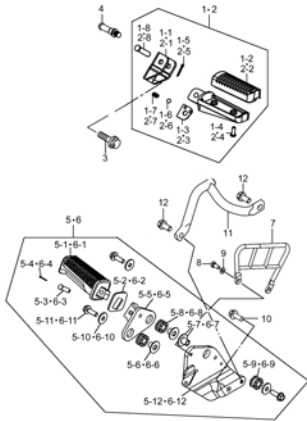


Fig. 30 FUEL TANK (P05-S290-0037)

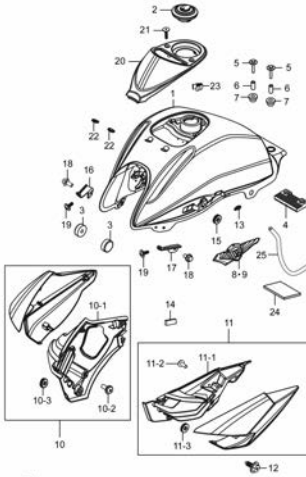


Fig. 31 FUEL COCK (P05-S300-0020)

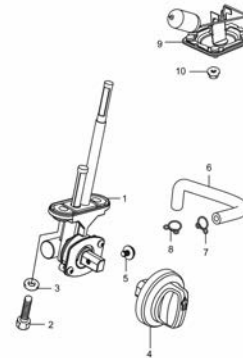


Fig. 32 FRAME COVER (P05-S310-0040)

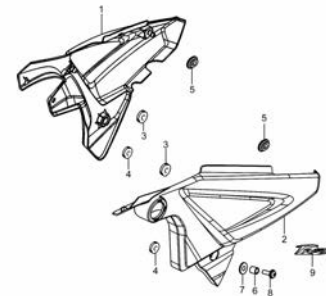


Fig. 33 FRONT FENDER (P05-S320-0024)

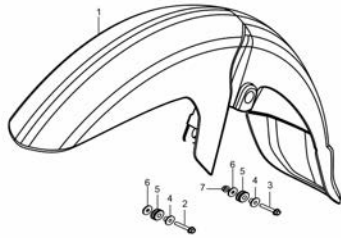


Fig. 34 HANDLEBAR (P05-S330-0052)

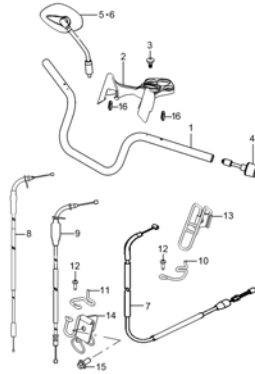


Fig. 35 HANDLE SWITCH (P05-S340-0038)

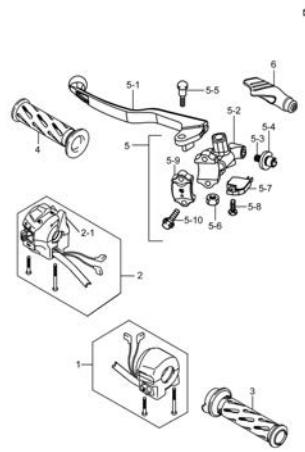


Fig. 36 REAR FENDER (P05-S350-0021)

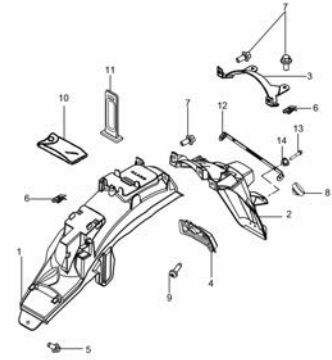


Fig. 37 COWLING (P05-S360-0021)

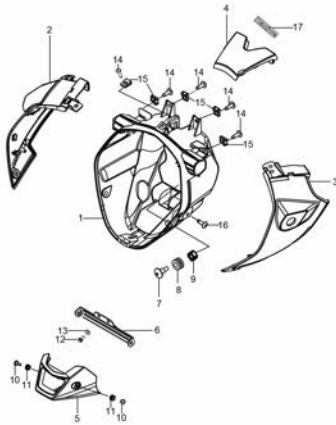


Fig. 38 LABEL (P05-S370-0046)

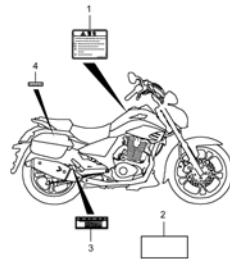


Fig. 39 SEAT (P05-S380-0021)

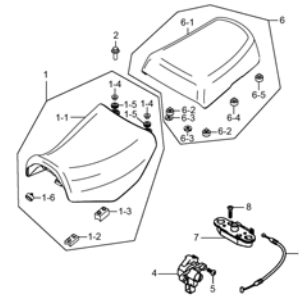


Fig. 40 COVER, SEAT TAIL (P05-S390-0031)

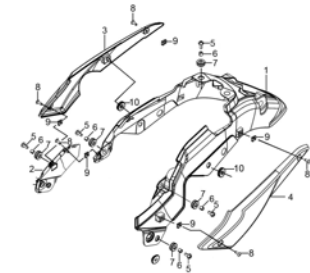


Fig. 41 STEERING STEM (P05-S400-0040)

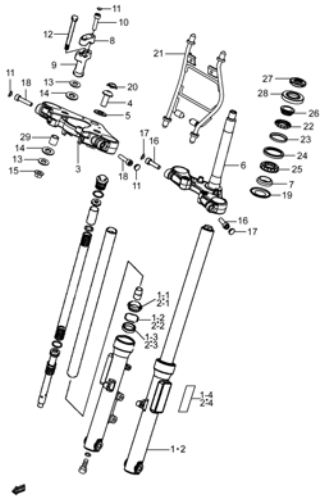


Fig. 42 FRONT WHEEL (P05-S410-0031)

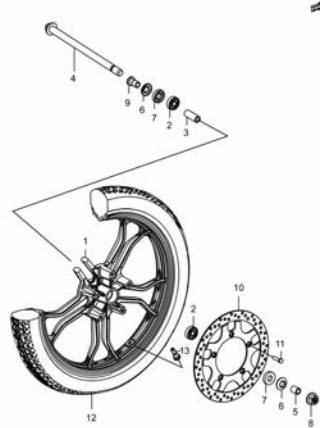


Fig. 43 FRONT CALIPER (P05-S420-0013)

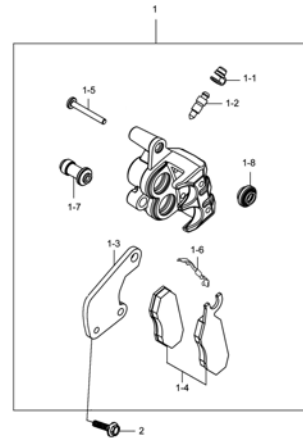


Fig. 44 FRONT BRAKE CYLINDER (P05-S430-0011)

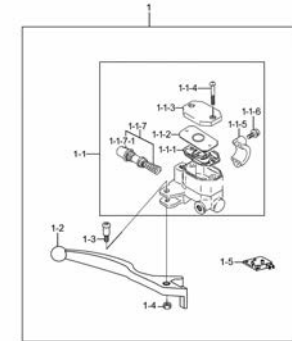


Fig. 45 HOSE, FRONT BRAKE (P05-S435-0014)

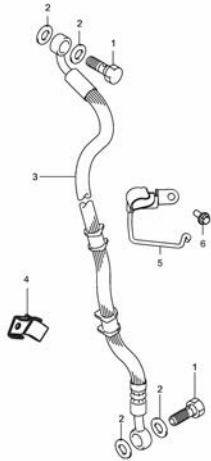


Fig. 46 REAR SWINGING ARM (P05-S440-0017)

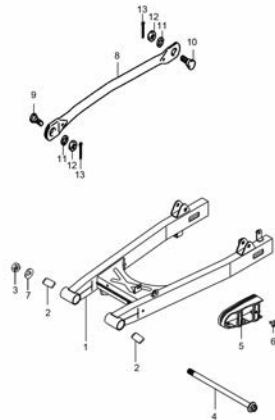


Fig. 47 REARSHOCK ABSORBER (P05-S450-0015)

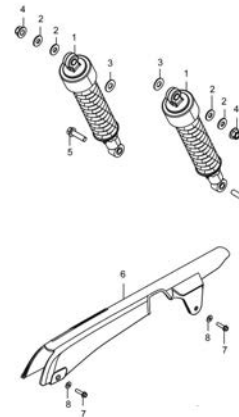


Fig. 48 REAR WHEEL (P05-S460-0033)

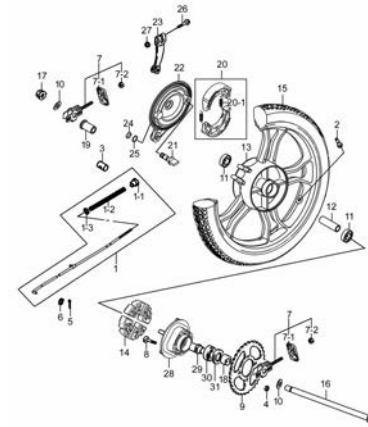




Fig. 49 BUMPER COMP (P05-S470-0010)

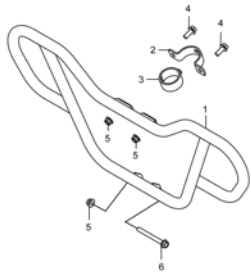


Fig. 50 CARRIER (P05-S480-0021)

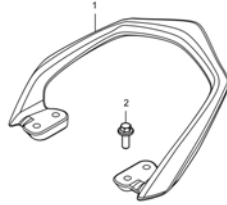


Fig. 51 SIDE BOX ASSY (P05-S500-0001)

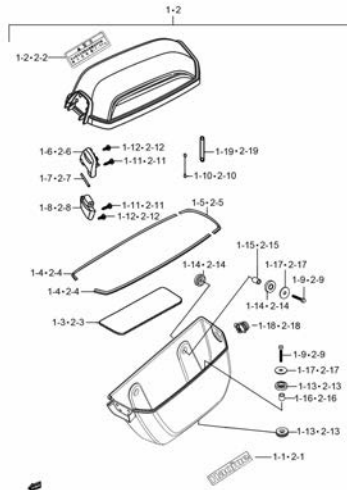
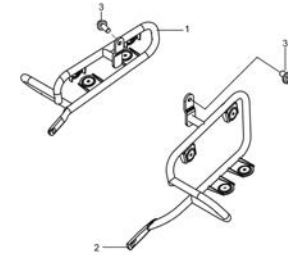


Fig. 52 SIX BOX BRACKET ASSY (P05-S510-0001)



1



Fig.1

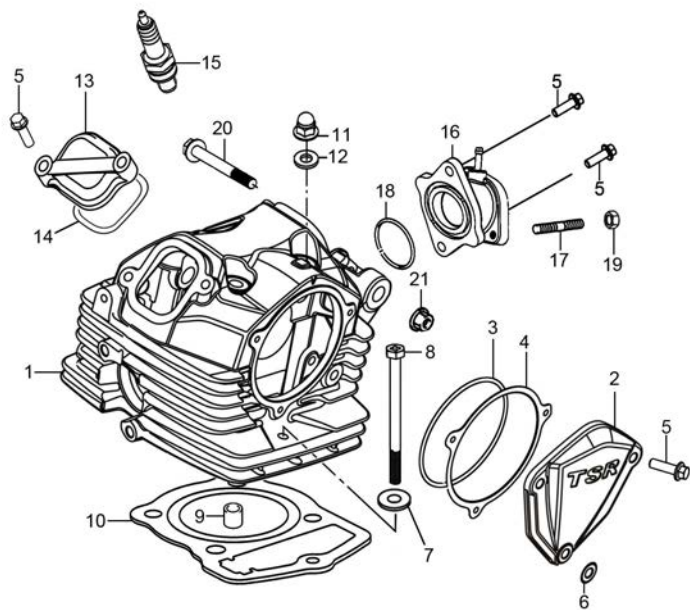


Fig.1 CYLINDER HEAD&CYLINDER HEAD COVER (P05-S010-0033)

REF. No.	PART No.	DESCRIPTION	Q'TY	REMARKS
1	11110H3E0A0H000	HEAD COMP, CYLINDER	1	
2	11121H3F000H000	COVER, CYLINDER HEAD, L	1	
3	09280H75001H000	O-RING	1	
4	11123H3F010H000	WASHER, CYL HEAD COVER, L	1	
5	01547-0620A-000	BOLT	9	
6	09168-06023-000	GASKET, CSHAFT COVER R SCREW	1	
7	11167H12000H000	WASHER, PLAIN (COPPER)	1	
8	09128H06006H000	BOLT, HEX WITH CROSS RECESS	1	
9	09206H10008H000	PIN	2	
10	11141H3F000H000	GASKET, CYLINDER HEAD	1	
11	11165H35010H000	NUT, TECTIFORM	4	
12	09160H08003H000	WASHER	4	
13	11175H3F000H000	CAP, INSPECTION	2	
14	09280H50003H000	O-RING	2	
15	09482-00399-000	SPARK PLUG (NGK, DR8EA)	1	
16	13110H37200H000	PIPE COMP, INTAKE	1	
17	01421-0616A-000	BOLT, STUD	2	
18	09280H34002H000	O-RING	1	
19	08310-0006A-000	NUT	2	
20	09103H08013H000	BOLT, HEXAGON	1	
21	08319-3108A-000	NUT	1	

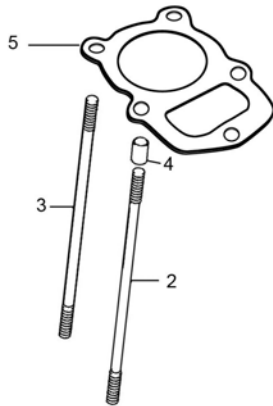
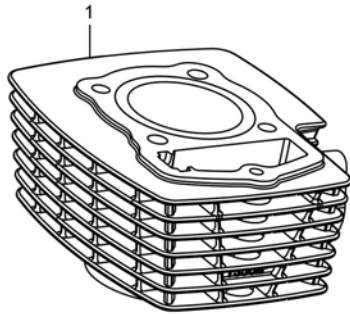
2



Fig. 2

Fig.2 CYLINDER (P05-S020-0017)

REF. No.	PART No.	DESCRIPTION	Q' TY	REMARKS
1	11210H3E030H0B0	CYLINDER COMP	1	
2	11243H35000H000	BOLT, CYL SYUD	2	
3	11244H35000H000	STUD BOLT B, CYLINDER	2	
4	09206H10007H000	PIN, KNOCK	2	
5	11241H3E000H000	GASKET, CYLINDER	1	



2



Fig. 3

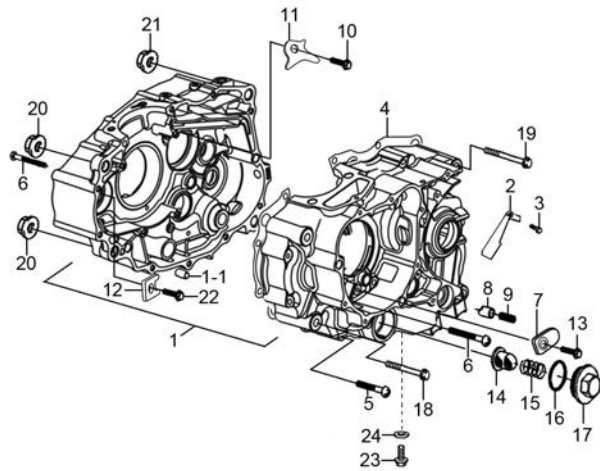


Fig.3 CRANKCASE (P05-S030-0028)

REF. No.	PART No.	DESCRIPTION	Q'TY	REMARKS
1	11300H3CY21H000	CRANKCASE COMP ASSY	1	
1-1	09206H10007H000	PIN, KNOCK	2	
2	32115H35000H000	PLATE, WIRE PRESSURE	1	
3	01547-0612A-000	HEXAGON BOLT WITH FLANGE	1	
4	11481H3E000H000	GASKET, CRANKCASE	1	
5	01547-0650A-000	BOLTS, HEXAGON HEAD FLANGE	11	
6	01547-0660A-000	BOLT	4	
7	12545H36010H000	PLATE, BRG PUSH PIN SPRING	1	
8	12543H36010H000	PIN, BRG PUSH	1	
9	09440H07002H000	SPRING, COMPRESSION	1	
10	01547-0614A-000	BOLTS, HEXAGON HEAD FLANGE	1	
11	24741H36000H000	RETAINER, CNTR SHAFT BEARING	1	
12	12659H3C000H000	RETAINER, CRANK BAL BRG	1	
13	09100-06026-000	BOLT	1	
14	16520H21D01H000	STRAINER COMP, ENG OIL	1	
15	16541H33001H000	SPRING, ENGINE OIL FILTER	1	
16	09280H35001H000	O-RING	1	
17	16542H36000H000	COVER, FILTER SPRING	1	
18	09103H08010H000	BOLT, HEXAGON	2	
19	09103H10003H000	BOLT, HEXAGON	2	
20	08319-3108A-000	NUT	2	
21	08319-3110A-000	NUT	2	
22	01547-0665A-000	BOLTS, HEXAGON HEAD FLANGE	1	
23	09247H12001H000	PLUG	1	
24	11522H33000H000	GASKET	1	

2



Fig. 4

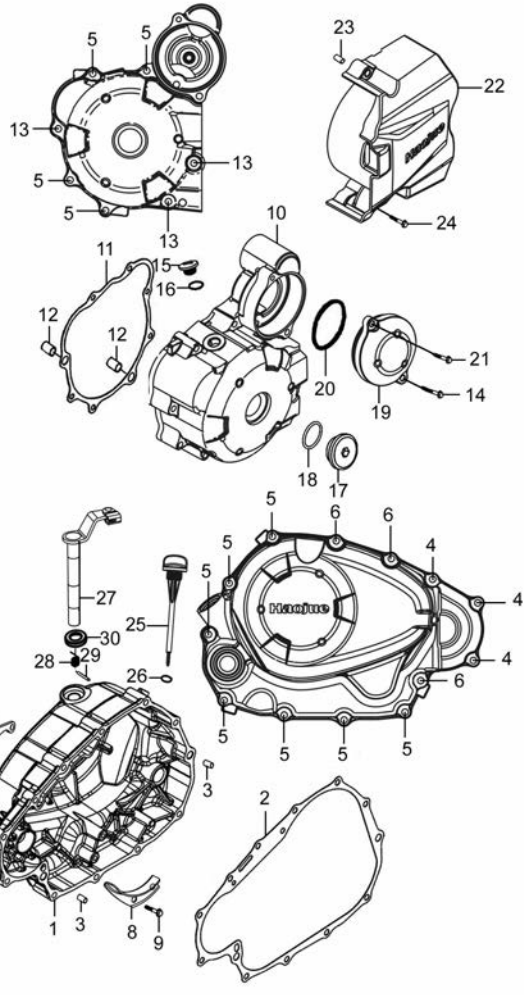


Fig.4 CRANKCASE COVER (P05-S040-0033)

REF. No.	PART No.	DESCRIPTION	Q' TY	REMARKS
1	11340H37200H000	COVER COMP, CLUTCH	1	
2	11482H3E000H000	GASKET, CLUTCH COVER	1	
3	09206H08004H000	PIN, KNOCK	2	
4	01547-0628A-000	BOLTS, HEXAGON HEAD FLANGE	3	
5	01547-0640A-000	BOLTS, HEXAGON HEAD FLANGE	11	
6	01547-0645A-000	BOLT	3	
7	11421H3C010H000	BRACKET, CLUTCH CABLE	1	
8	12511H3C000H000	PLATE, OIL GUIDE	1	
9	01547-0612A-000	HEXAGON BOLT WITH FLANGE	2	
10	11351H37200H000	COVER, MAGNETO	1	
11	11483H3E000H000	GASKET, MAGNETO COVER	1	
12	09206H10007H000	PIN, KNOCK	2	
13	01547-0650A-000	BOLTS, HEXAGON HEAD FLANGE	3	
14	01547-0670A-000	BOLTS, HEXAGON HEAD FLANGE	1	
15	09247-12104-000	PLUG, TDC	1	
16	09168H12002H000	GASKET	1	
17	09259-26023-000	PLUG	1	
18	09280-22008-000	O-RING	1	
19	11441H37200H000	COVER, GEAR CASE	1	
20	09280H63001H000	O-RING	1	
21	01547-0620A-000	BOLT	1	
22	11361H3E010H000	COVER, ENG SPROCKET	1	
23	09206H08002H000	PIN, KNOCK	2	
24	01547-0635A-000	BOLT	2	
25	11971H37200H000	GAUGE, OIL LEVEL	1	
26	09280H18002H000	O RING	1	
27	23270H3D020H000	SHAFT COMP, CLUTCH RELEASE	1	
28	09448H15001H000	SPRING, TORSION	1	
29	09205H03001H000	PIN, SPRING	1	

Fig. 4

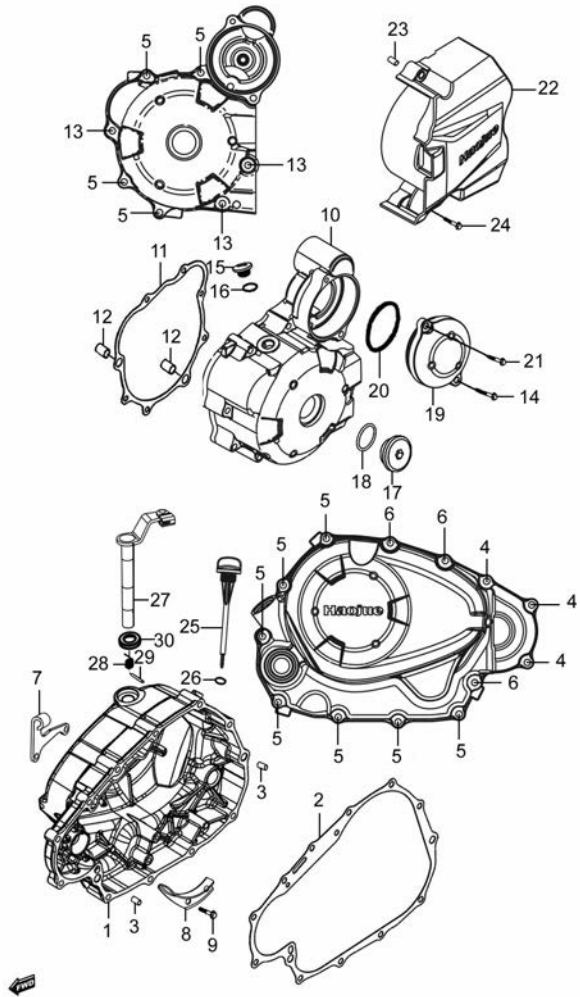


Fig.4 CRANKCASE COVER (P05-S040-0033)

REF. No.	PART No.	DESCRIPTION	Q' TY	REMARKS
30	23285H35000H000	SEAL, RELEASE POLE	1	

2

Fig. 5

2

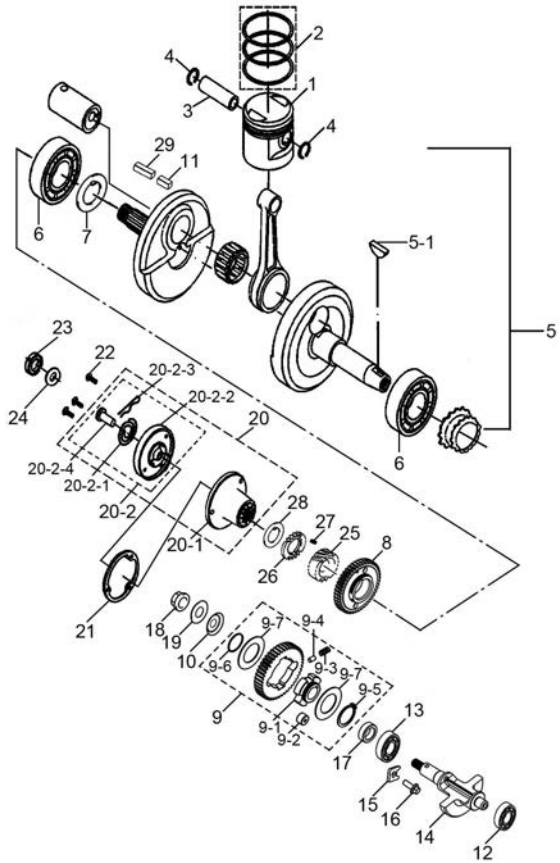


Fig.5 CRANKSHAFT (P05-S050-0019)

REF. No.	PART No.	DESCRIPTION	Q' TY	REMARKS
1	12111H3E010H0B0	PISTON	1	
2	12140H3E020H000	RING SET, PISTON	1	
3	12151H3E000H000	PIN, PISTON	1	
4	09381H14001H000	RING, SNAP	2	
5	12200H3E010H000	CRANKSHAFT ASSY	1	
5-1	09420H04002H000	KEY	1	
6	09262H35005H000	BEARING	2	
7	09181-35108-000	SHIM, CRANKSHAFT ASSY	1	
8	12661H3D000H000	GEAR, CRANK BALANCER DRIVE	1	
9	12670H3E000H000	GEAR COMP, CRANK BAL DRIVEN	1	
9-1	12679H3E000H000	RACE, CRK BAL DRIVEN GEAR	1	
9-2	12686-26H00-000	DAMPER, CRANK BALANCER GEAR	2	
9-3	09440H09001H000	SPRING, COMPRESSION	2	
9-4	09202H05004H000	PIN	2	
9-5	09380H24001H000	RING, SNAP	1	
9-6	09380H24002H000	RING, SNAP	1	
9-7	09181H25002H000	SHIM	2	
10	09164H13001H000	WASHER, WAVE	1	
11	09421H04001H000	KEY	2	
12	08110-63010-000	BALL BEARING	1	
13	08110-62030-000	BEARING, AXLE SHAFT, L	1	
14	12651H3E000H000	BALANCER, CRANK	1	
15	12659H3C000H000	RETAINER, CRANK BAL BRG	1	
16	01547-0614A-000	BOLTS, HEXAGON HEAD FLANGE	1	
17	09180H16002H000	SPACER	1	
18	08316-1012A-000	NUT	1	
19	09181H12002H000	WASHER	1	
20	16052H3D000H000	FILTER SET, ENGINE OIL	1	
20-1	16514H3D000H000	BODY, ENGINE OIL FILTER	1	



Fig. 5

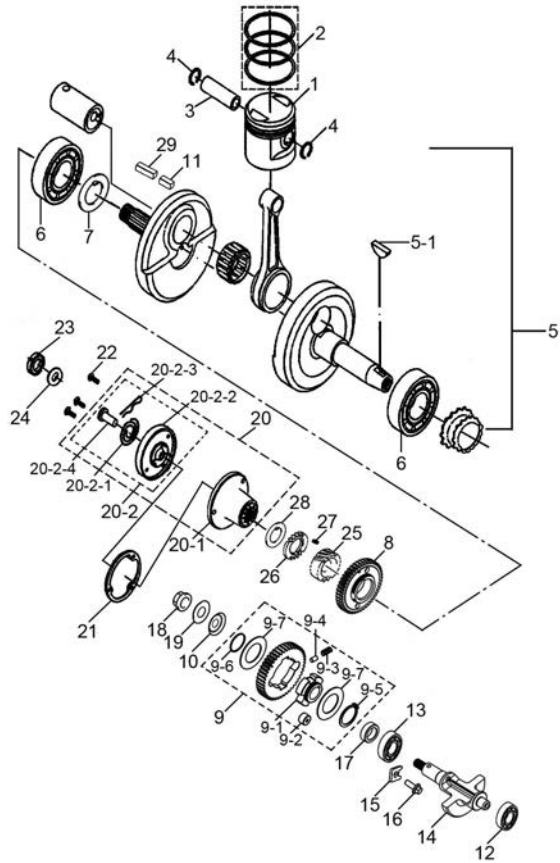


Fig.5 CRANKSHAFT (P05-S050-0019)

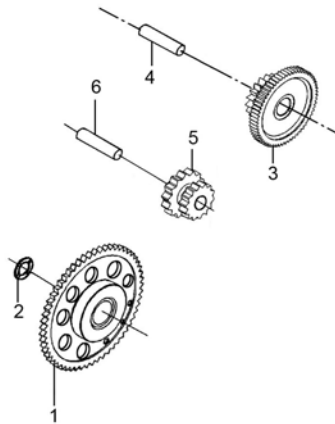
REF. No.	PART No.	DESCRIPTION	Q'TY	REMARKS
20-2	16520H33000H000	COVER ASSY, ENGINE OIL FILTER	1	
20-2-1	16532H33000H000	SPRING	1	
20-2-2	16521H33000H000	ROTOR COVER	1	
20-2-3	16551H33000H000	PIN	1	
20-2-4	16531H33000H000	OIL PIPE	1	
21	16561H3E000H000	GASKET, ROTOR COVER	1	
22	02122-0512A-000	CROSS RECESSED HEAD SCREW	3	
23	21346H3E000H000	NUT, LOCK	1	
24	09160H16004H000	WASHER, PLAIN	1	
25	21111H3D010H000	GEAR, PRIMARY DRIVE	1	
26	21112H3D010H000	GEAR, PRIMARY DRIVE NO. 2	1	
27	21114H3E000H000	SPRING, PRIMARY DRIVE GEAR	3	
28	09166H18001H000	WASHER, NOTCHED	1	
29	09421H04003H000	KEY	1	

2



Fig. 6

2



**Fig.6 STARTER CLUTCH (P05-S060-0006)**

REF. No.	PART No.	DESCRIPTION	Q' TY	REMARKS
1	12620H36010H000	GEAR COMP, STARTER CLUT	1	
2	12623H3E020H000	WASHER, STARTER CLUTCH GAER	1	
3	12681H36000H000	GEAR, ELECTRIC STARTER	1	
4	12683H36000H000	SHAFT, GEAR 1ST	1	
5	12651H36000H000	GEAR, STARTER IDLE	1	
6	12691H36000H000	SHAFT, GEAR 2ND	1	



Fig.7

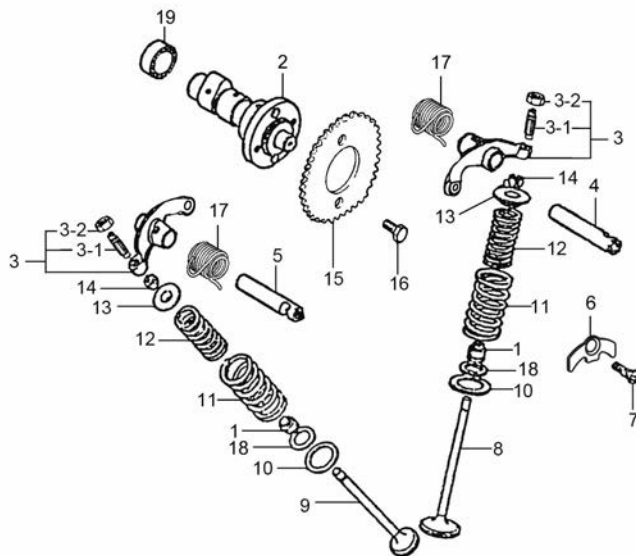


Fig.7 CAMSHAFT-VALVE (P05-S070-0007)

REF. No.	PART No.	DESCRIPTION	Q'TY	REMARKS
1	09283H10002H000	SEAL, OIL	2	
2	12710H3D021H000	CAMSHAFT COMP	1	
3	12840H3D000H000	ARM COMP, VALVE ROCKER	2	
3-1	12842H3D000H000	SCREW, TAPPET ADJUSTING	1	
3-2	12852H33000H000	NUT	1	
4	12861H3D000H000	SHAFT, VALVE ROCKER ARM INTAKE	1	
5	12871H3D000H000	SHAFT, VALVE ROCKER ARM, EXH	1	
6	12862H35022H000	RETAINER, ROCKER ARM SHAFT	1	
7	02122-0616A-000	SCREW	1	
8	12911H3E002H000	VALVE, INTAKE	1	
9	12912H3E010H000	VALVE, EXHAUST	1	
10	09181H17001H000	SHIM	2	
11	12922H3F000H000	SPRING, VALVE OUTER	2	
12	12921H3F000H000	SPRING, VALVE INNER	2	
13	12931H3E000H000	RETAINER VALVE SPRING	2	
14	12932H50100H000	COTTER VALVE	4	
15	12741H35010H000	SPROCKET, CAMSHAFT	1	
16	09100H06003H000	BOLT, HEXAGON	2	
17	09448H22001H000	SPRING, TORSION	2	
18	09181H12003H000	SHIM	2	
19	08140-60030-000	BALL BEARING	1	

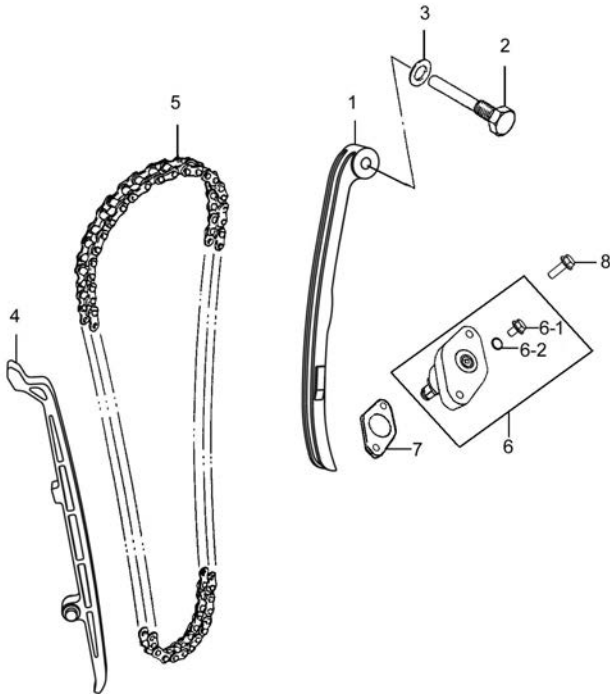
2



Fig. 8

Fig.8 CAM CHAIN (P05-S080-0017)

REF. No.	PART No.	DESCRIPTION	Q' TY	REMARKS
1	12811H3F000H000	TENSIONER, CAM CHAIN	1	
2	09135H08004H000	BOLT	1	
3	09160H08011H000	WASHER	1	
4	12771H35000H000	GUIDE, CAM CHAIN	1	
5	12760H35030H000	CHAIN COMP, CAMSHAFT DRIVE	1	
6	12830H36Y00H000	ADJUSTER SET, TENSIONER	1	
6-1	09128H06010H000	BOLT, HEX WITH CROSS RECESS	1	
6-2	11142H35000H000	O RING	1	
7	12837H3E000H000	GASKET, TENSIONER ADJUSTER	1	
8	01547-0620A-000	BOLT	2	



2

Fig.9

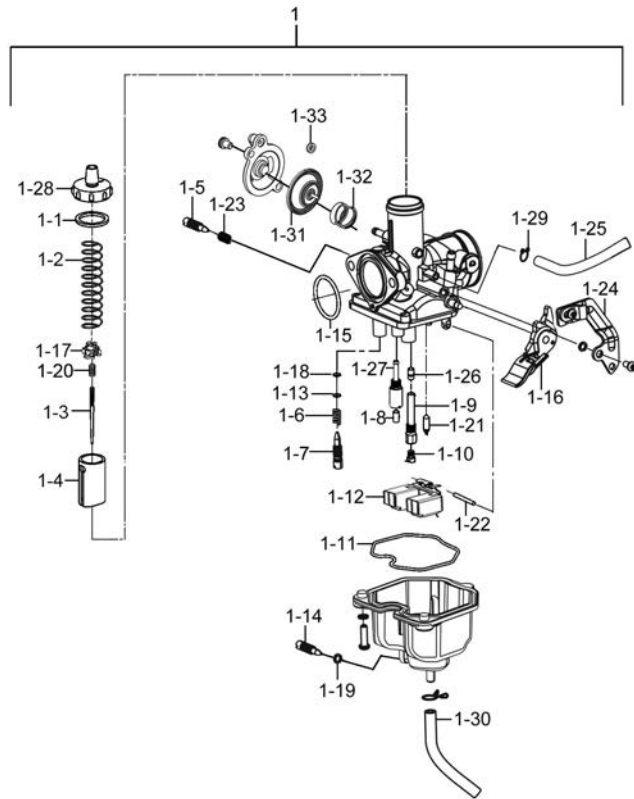


Fig.9 CARBURETOR (P05-S090-0037)

REF. No.	PART No.	DESCRIPTION	Q' TY	REMARKS
1	13200H37220H000	CARBURETOR ASSY	1	
1-1	13255H11200H000	TOP GASKET	1	
1-2	13573H11A10H000	COMPRESSION SPRING	1	
1-3	13383H2C020H000	JET NEEDLE	1	
1-4	13251H11200H000	POSTON VALVE	1	
1-5	13267H33000H000	SPRING SCREW	1	
1-6	13268H33000H000	SPRING COMPR	1	
1-7	13279H36900H000	ADJUSTER	1	
1-8	13245H11200H000	PILOT JET	1	
1-9	13242H11240H000	NEEDLE JET HOLDER	1	
1-10	09491H22002H000	MAIN JET	1	
1-11	13251H11A10H000	GASKET	1	
1-12	13252H33000H000	FLOAT COMP	1	
1-13	13262H11200H000	WASHER	1	
1-14	13247H33000H000	DRAIN SCREW	1	
1-15	13253H33000H000	O RING	1	
1-16	13432H33000H000	LEVER CHOKE	1	
1-17	13257H11200H000	COLLAR	1	
1-18	13295H21D00H000	O RING	1	
1-19	13225H11200H000	O RING	1	
1-20	13258H11210H000	E RING	1	
1-21	13370H21D00H000	VALVE ASSY, NEEDLE	1	
1-22	13254H21D00H000	PIN	1	
1-23	13263H11200H000	COMPRESSION SPRING	1	
1-24	13278H12900H000	CLIP, WIRE	1	
1-25	13684H30110H000	AIR VENT HOSE	1	
1-26	09494H12900H000	NEEDLE JET	1	
1-27	13247H11200H000	BUBBLER	1	
1-28	13253H11210H000	MIXING CAP	1	

2

Fig. 9

2

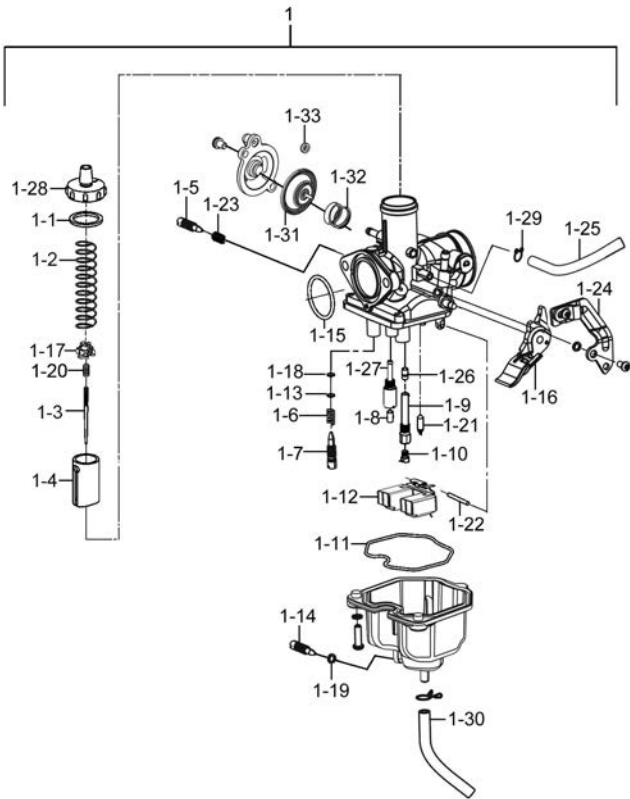


Fig.9 CARBURETOR (P05-S090-0037)

REF. No.	PART No.	DESCRIPTION	Q' TY	REMARKS
1-29	13224H2A000H000	CLIP, DRAIN HOSE	1	
1-30	13683H2C030H000	HOSE, DRAIN	1	
1-31	13480H2C010H000	DIAPHRAGM ASSY	1	
1-32	13285H2C010H000	ACV SPRING	1	
1-33	13258H2C010H000	O-RING	1	

Fig. 10

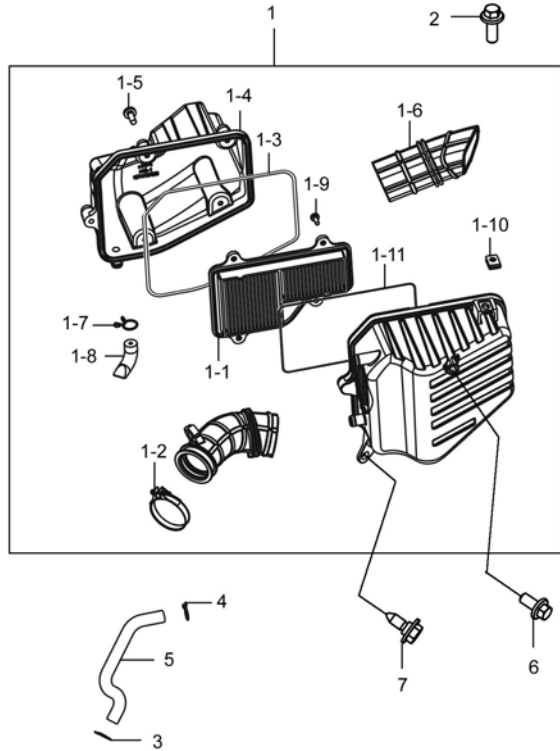


Fig.10 AIR CLEANER (P05-S100-0020)

REF. No.	PART No.	DESCRIPTION	Q'TY	REMARKS
1	13700H37200H000	CLEANER ASSY, AIR	1	
1-1	13780H37200H000	FILTER COMP, AIR CLNR	1	
1-2	13884H22510H000	CLAMP, AIR CLNR OUTLET TUBE	1	
1-3	13724H37200H000	GASKET, AIR CLNR CAP, NO. 2	1	
1-4	13741H37200H000	CAP, AIR CLNR	1	
1-5	03541-05203-000	CROSS RECESSED HEAD TAPPING SCREW	5	
1-6	13891H37200H000	TUBE, AIR CLEANER INLET	1	
1-7	09401H13201H000	CLIP	1	
1-8	13863H22500H000	TUBE, DRAIN	1	
1-9	02112-1516A-000	CROSS RECESSED HEAD SCREW	4	
1-10	35157H37200H000	NUT	1	
1-11	13723H37200H000	GASKET, AIR CLNR CAP	1	
2	01550-0616A-000	BOLT	1	
3	09401H13002H000	CLIP	1	
4	09401H15202H000	CLIP	1	
5	13851H37200H000	TUBE, BREATHER	1	
6	01550-0612A-000	BOLT	1	
7	09111H06007H000	BOLT	1	

2



Fig. 11

2

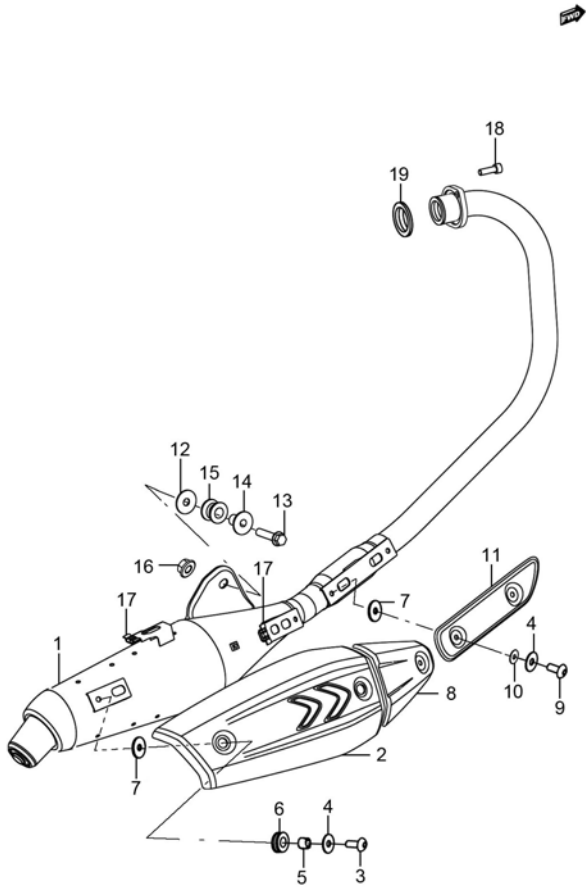


Fig.11 MUFFLER (P05-S110-0037)

REF. No.	PART No.	DESCRIPTION	Q' TY	REMARKS
1	14305H37220H000	MUFFLER COMP	1	
2	14792H37200H000	COVER, MUF BODY	1	
3	09139H06006H000	SCREW	2	
4	09160-06164-000	WASHER, PLAIN	5	
5	09180H06336H000	SPACER	2	
6	09320H10023H000	CUSHION	2	
7	09168H06002H000	GASKET	5	
8	14791H37200H000	COVER, MUF BODY	1	
9	09139-06091-000	BOLT	3	
10	09161H06004H000	WASHER	3	
11	14781H37200H000	COVER, MUF, FR	1	
12	09160-10102-000	WASHER, PLAIN	1	
13	01550-1045B-000	HEXAGON BOLT WITH FLANGE	1	
14	14413-25H00-000	SPACER	1	
15	14414H2C000H000	CUSHION	1	
16	09159H10004H000	NUT, WITH FLANGE	1	
17	14414H37200H000	CUSHION	2	
18	07130-0825A-000	BOLT	2	
19	14181H11200H000	GASKET, EXH PIPE	1	



Fig.12

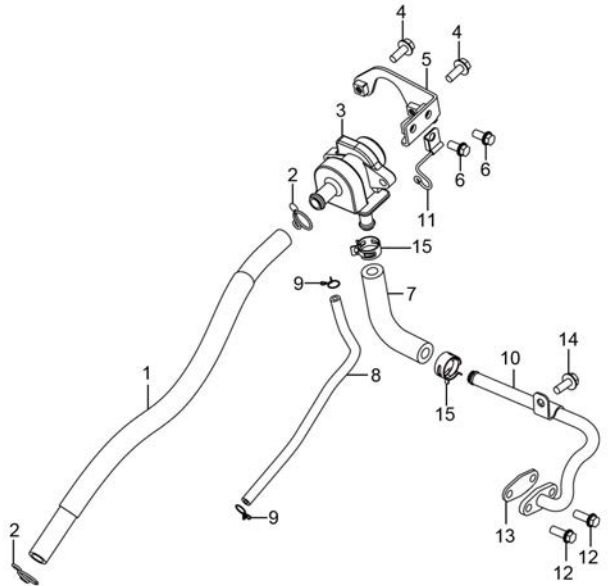


Fig.12 2ND AIR VAVLE (P05-S120-0026)

REF. No.	PART No.	DESCRIPTION	Q'TY	REMARKS
1	18710H37200H000	HOSE COMP, 2ND AIR CLNR	1	
2	09401H15201H000	CLAMP	2	
3	18450H36H20H000	VALVE ASSY, 2ND AIR	1	
4	01550-0620A-000	BOLTS, HEXAGON HEAD FLANGE	2	
5	18610H37200H000	BRACKET COMP, 2ND AIR VALVE	1	
6	01550-0612A-000	BOLT	2	
7	18461H37201H000	HOSE, 2ND AIR VALVE	1	
8	18463H37201H000	HOSE, 2ND AIR VALVE VACUUM	1	
9	09401H07201H000	CLIP	2	
10	18410H37200H000	PIPE COMP, 2ND AIR	1	
11	18442H37200H000	GUIDE, 2ND AIR VALVE HOSE	1	
12	01547-0616A-000	BOLT	2	
13	18441H3E000H000	GASKET, 2ND AIR PIPE	1	
14	01547-0612A-000	HEXAGON BOLT WITH FLANGE	1	
15	09401-15404-000	CLIP, FUEL HOSE	2	

2

Fig. 13



2

Fig.13 OIL PUMP (P05-S130-0004)

REF. No.	PART No.	DESCRIPTION	Q' TY	REMARKS
1	16400H3D000H000	PUMP ASSY, ENG OIL	1	
2	02122-0630A-000	CROSS RECESSED HEAD SCREW	2	
3	09280H35000H000	O-RING	2	

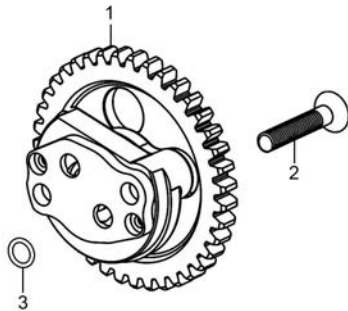


Fig. 14

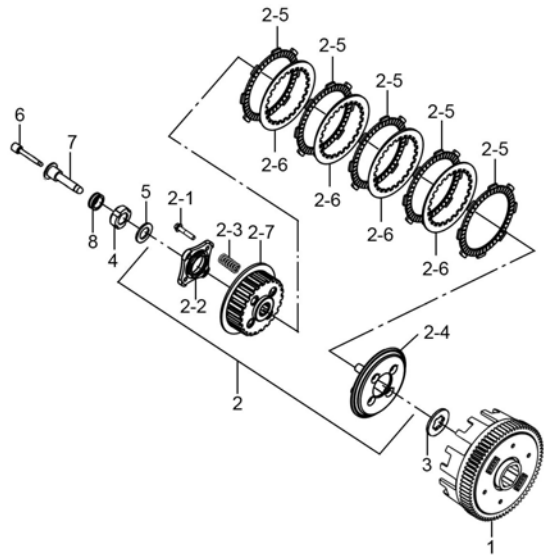


Fig.14 CLUTCH (P05-S140-0011)

REF. No.	PART No.	DESCRIPTION	Q' TY	REMARKS
1	21200H3E001H000	GEAR ASSY, PRIMARY DRIVEN	1	
2	21410H3E050H000	HUB COMP, CLUTCH SLEEVE	1	
2-1	01550-0622A-000	BOLT, HEXAGON HEAD FLANGE	4	
2-2	21471H35000H000	PLATE, CLUTCH PUSH ROD	1	
2-3	21413H3D000H000	SPRING, CLUTCH	4	
2-4	21462H3E000H000	DISC, CLUTCH PRESSURE	1	
2-5	21441H33020H000	PLATE, CLUTCH DRIVE	5	
2-6	21451H3E020H000	PLATE, CLUTCH DRIVEN	4	
2-7	21411H3E000H000	HUB, CLUTCH SLEEVE	1	
3	21481H33000H000	WASHER	1	
4	21346H33000H000	NUT, LOCK	1	
5	16581H33000H000	WASHER	1	
6	23131H3D000H000	POLE, CLUTCH PUSH	1	
7	23121H3D000H000	PIECE, CLUTCH PUSH	1	
8	09262H17001H000	BEARING, CLUTCH	1	

2



Fig. 15

2

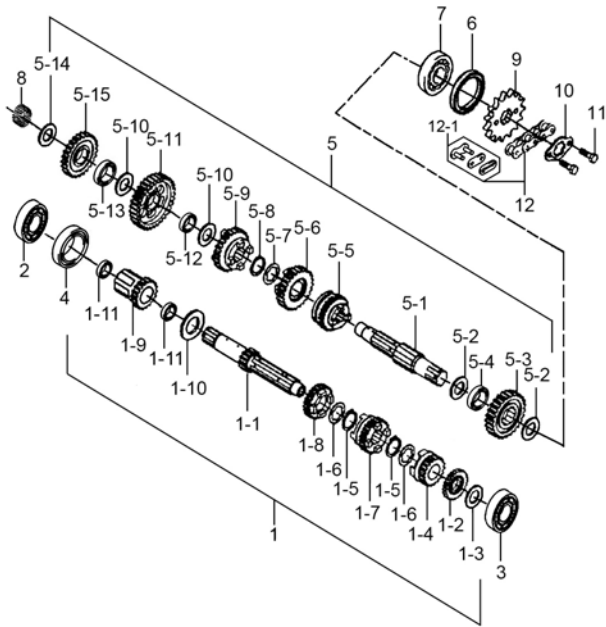
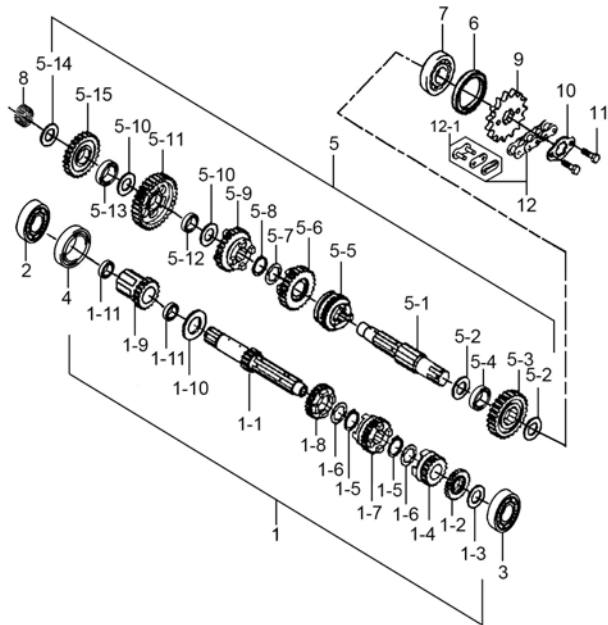


Fig.15 TRANSMISSION (P05-S150-0026)

REF. No.	PART No.	DESCRIPTION	Q' TY	REMARKS
1	24102H3E040H000	SHAFT ASSY, COUNTER	1	
1-1	24121H3D010H000	SHAFT, COUNTER	1	
1-2	24221H3E010H000	GEAR, 2ND DRIVE	1	
1-3	08211-15251-000	WASHER, 1ST DRIVEN GEAR, R THR	1	
1-4	24251H3E010H000	GEAR, 5TH DRIVE	1	
1-5	08331-31209-000	CIRCLIP	2	
1-6	24232H33000H000	WASHER	2	
1-7	24241H3E010H000	GEAR, 4TH DRIVE	1	
1-8	24231H3E000H000	GEAR, 3RD DRIVE	1	
1-9	24201H3E020H000	GEAR, DRIVE	1	
1-10	09181H20270H000	WASHER	1	
1-11	24122H3E000H000	BUSH, COUNTER SHAFT	2	
2	08110-60060-000	BEARING	1	
3	09262H15035H000	BEARING	1	
4	09180H30001H000	SPACER	1	
5	24103H3E061H000	SHAFT ASSY, DRIVE	1	
5-1	24131H3D001H000	SHAFT, DRIVE	1	
5-2	08211-20271-000	WASHER	2	
5-3	24321H3E000H000	GEAR, 2ND DRIVEN	1	
5-4	24322H3E000H000	BUSH, 2ND DRIVEN GEAR	1	
5-5	24351H3E010H000	GEAR, 5TH DRIVEN	1	
5-6	24341H3E000H000	GEAR, 4TH DRIVEN	1	
5-7	24232H33000H000	WASHER	1	
5-8	08331-31209-000	CIRCLIP	1	
5-9	24331H3E010H000	GEAR, 3RD DRIVEN	1	
5-10	09181H17240H000	WASHER	2	
5-11	24311H3E000H000	GEAR, 1ST DRIVEN	1	
5-12	24314H35000H000	BUSH, 1ST DRIVEN GEAR	1	
5-13	26263H35000H000	BUSH, KICK STARTER IDLE GEAR	1	

Fig. 15

Fig.15 TRANSMISSION (P05-S150-0026)



REF. No.	PART No.	DESCRIPTION	Q'TY	REMARKS
5-14	08211-15301-000	WASHER	1	
5-15	26261H3E000H000	GEAR, KICK STARTER IDLE	1	
6	09283H20007H000	SEAL, OIL	1	
7	09262H20017H000	BEARING	1	
8	09263H15002H000	BEARING, NEEDLE	1	
9	27511H36020H000	SPROCKET, ENGINE	1	
10	27521H33010H000	WASHER	1	
11	07130-0610A-000	HEXAGON SOCKET HEAD CAP SCREW	2	
12	27600H3D000H126	CHAIN ASSY, DRIVE	1	
12-1	27620H3D000H000	JOINT SET, CHAIN	1	

2

Fig. 16

2

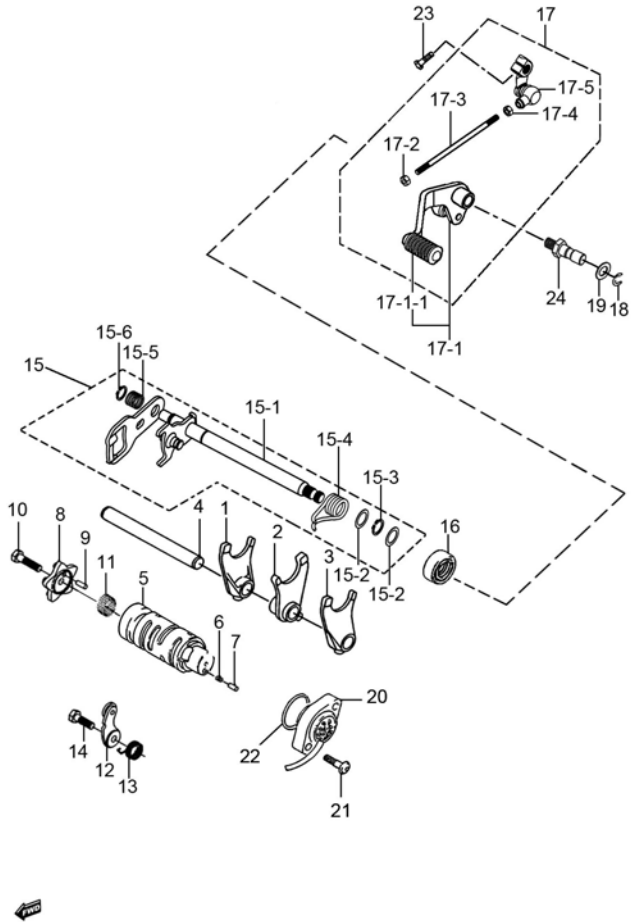


Fig.16 GEAR SHIFTING (P05-S160-0019)

REF. No.	PART No.	DESCRIPTION	Q' TY	REMARKS
1	25211H3E010H000	FORK, GEAR SHIFT, R	1	
2	25231H3E010H000	FORK, GEAR SHIFT, MIDDLE	1	
3	25241H3E010H000	FORK, GEAR SHIFT, L	1	
4	25411H3E000H000	SHAFT, GEAR SHIFT FORK	1	
5	25311H3E010H000	CAM, GEAR SHIFT	1	
6	09440H04030H000	SPRING, COMPRESSION	1	
7	25314H3E000H000	PIN, CAM SHIFT	1	
8	25381H3E020H000	PLATE, SHIFT CAM STOPPER	1	
9	04221-04109-000	PIN	1	
10	09128H06001H000	BOLT, HEX WITH CROSS RECESS	1	
11	09263H23000H000	BEARING, NEEDLE	1	
12	25350H3E010H000	STOPPER COMP, GEAR SHIFT CAM	1	
13	25351H3E010H000	SPRING, GEAR SHIFT CAM STOPPER	1	
14	09100H06022H000	BOLT, HEXAGON	1	
15	25500H3E030H000	SHAFT ASSY, GEAR SHIFT	1	
15-1	25510H3E030H000	SHAFT COMP, GEAR SHIFT	1	
15-2	09181H16200H000	WASHER	2	
15-3	08331-31149-000	CIRCLIP, KICK SHAFT	1	
15-4	25518H3E000H000	SPRING, SHIFT SHAFT RETURN	1	
15-5	09440H15002H000	SPRING, COMPRESSION	1	
15-6	08331-31129-000	CIRCLIP	1	
16	09283H14001H000	OIL SEAL	1	
17	25600H37210H000	LEVER ASSY, GEAR SHIFT	1	
17-1	25610H37210H000	LEVER COMP, GEAR SHIFT	1	
17-1-1	25652-49000-000	RUBBER, GEAR SHIFT PEDAL	1	
17-2	09140-06011-000	NUT, GEAR SHIFT LINK ROD, L	1	
17-3	25525H37210H000	ROD, GEAR SHIFT LINK	1	
17-4	08310-00067-000	NUT, GEAR SHIFT LINK ROD, R	1	
17-5	25520H05520H000	ARM COMP, GEAR SHIFT LINK	1	

Fig. 16

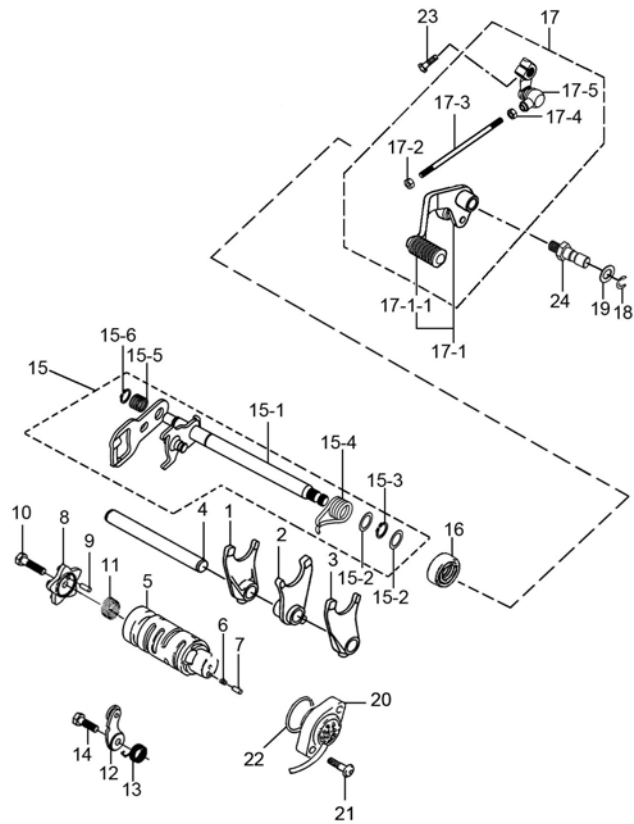


Fig.16 GEAR SHIFTING (P05-S160-0019)

REF. No.	PART No.	DESCRIPTION	Q' TY	REMARKS
18	08331-3112A-000	CIRCLIP	1	
19	09160H12012H000	WASHER, PLAIN	1	
20	37720H3E001H000	BASE ASSY, GEAR SHIFT TERM	1	
21	02112-0418A-000	CROSS RECESSED HEAD SCREW	2	
22	09280H19001H000	O-RING	1	
23	01500-0620A-000	BOLT	1	
24	25617H2A201H000	SHAFT, GEAR SHIFT LEVER	1	

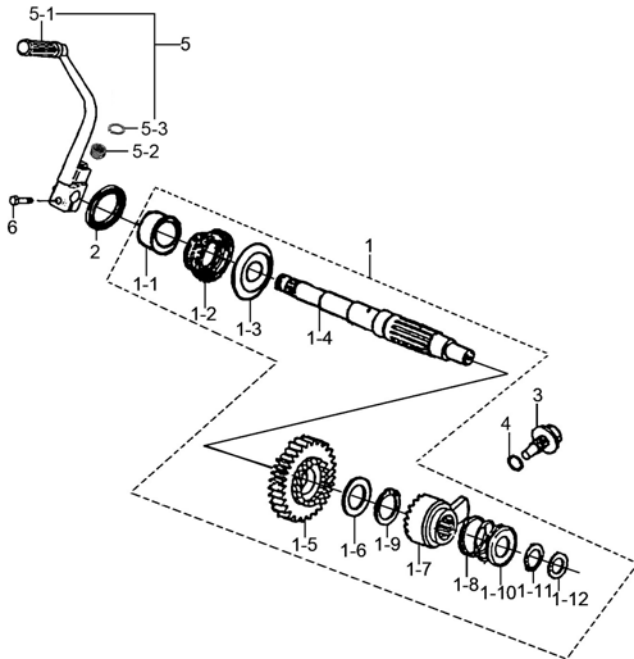
2



Fig. 17

**Fig.17 KICK STARTER (P05-S165-0007)**

REF. No.	PART No.	DESCRIPTION	Q' TY	REMARKS
1	26210H3E000H000	SHAFT COMP, KICK STARTER	1	
1-1	26221H35000H000	GUIDE, KICK STARTER SHAFT SPRIN	1	
1-2	09448H48003H000	SPRING, TORSION	1	
1-3	26222H35000H000	HOLDER, KICK STARTER SHAFT SPRI	1	
1-4	26211H3E000H000	SHAFT, KICK STARTER	1	
1-5	26241H35000H000	GEAR, KICK STARTER DRIVE	1	
1-6	09181H20001H000	SHIM	1	
1-7	26251H35000H000	RATCHET WHEEL	1	
1-8	26226H36000H000	SPRING, RELEASE	1	
1-9	09380H19001H000	RING, SNAP	1	
1-10	26225H35000H000	SEAT, RELEASE SPRING	1	
1-11	09380H15001H000	RING, SNAP	1	
1-12	09181H12004H000	SHIM	1	
2	09283H16001H000	SEAL, OIL	1	
3	09135H12001H000	BOLT	1	
4	09280H11001H000	O-RING	1	
5	26300H2A010H000	LEVER ASSY, KICK STARTER	1	
5-1	26352-01000-000	RUBBER, KICK STARTER LEVER	1	
5-2	09440-05003-000	SPRING, KICK STARTER LEVER	1	
5-3	08331-3115A-000	CIRCLIP	1	
6	01500-0825A-000	BOLTS, HEXAGON HEAD	1	



2



Fig. 18

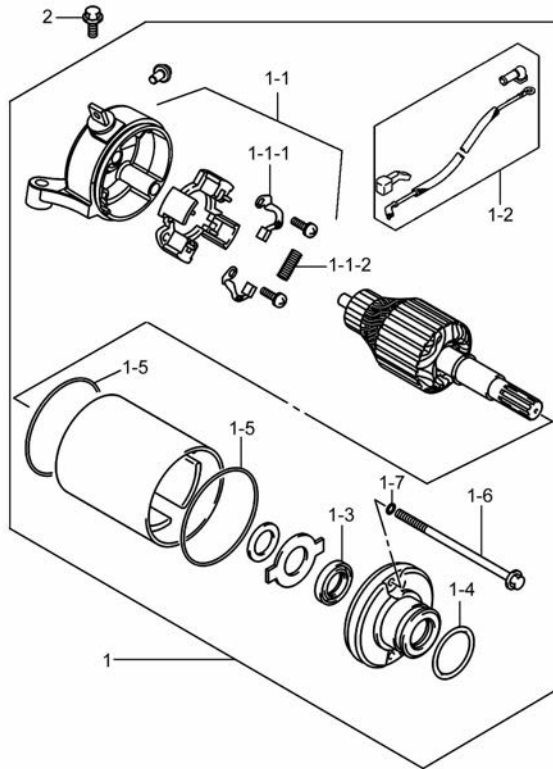


Fig.18 STARTING MOTOR (P05-S170-0014)

REF. No.	PART No.	DESCRIPTION	Q' TY	REMARKS
1	31100H3F020H000	MOTOR ASSY, STARTING	1	
1-1	31175H22500H000	FRAME ASSY	1	
1-1-1	31133H22500H000	BRUSH, STARTER MOTOR, MINUS	1	
1-1-2	31135H22500H000	SPRING, STARTER MOTOR BRUSH	4	
1-2	33810H3F020H000	WIRE, STARTER MOTOR	1	
1-3	31153H22500H000	OIL SEAL, STARTER MOTOR	1	
1-4	31156H22500H000	O-RING	1	
1-5	31156H22510H000	O-RING	2	
1-6	31281H22500H000	BOLT	2	
1-7	31156H22520H000	O-RING	2	
2	01547-0630A-000	BOLT	2	

3



Fig. 19

**Fig.19 MAGNETO (P05-S180-0012)**

REF. No.	PART No.	DESCRIPTION	Q' TY	REMARKS
1	32100H2C010H000	MAGNETO ASSY	1	
1-1	32101H2C000H000	STATOR ASSY	1	
1-2	32102H2C010H000	ROTOR ASSY	1	
2	09100H05004H000	BOLT, HEXAGON	2	
3	01547-0625A-000	BOLT	3	
4	32113H35000H000	WASHER	1	
5	32111H33000H000	BOLT	1	

**3**

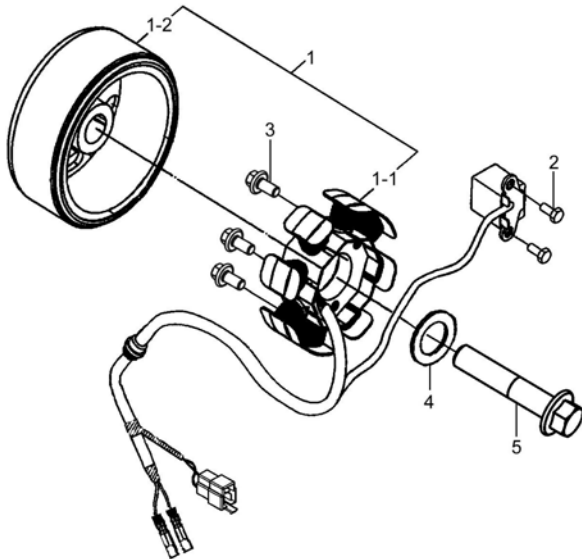


Fig. 20

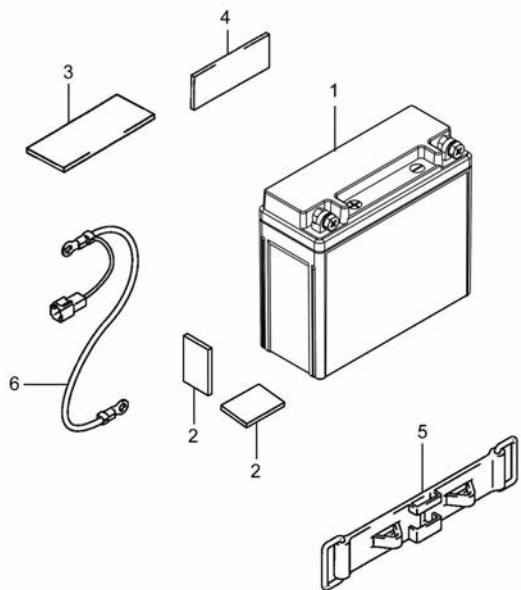


Fig.20 BATTERY (P05-S190-0022)

REF. No.	PART No.	DESCRIPTION	Q' TY	REMARKS
1	33620H2C000H000	FILLED BATTERY ASSY	1	
2	33652-38000-000	PROTECTOR, BATTERY	4	40*30*3
3	33652-25H00-000	PROTECTOR, BATTERY	2	90*20*3
4	94839-45F00-000	CUSHION, REAR BRACE	1	70*20*5
5	33651-12FH0-000	BAND	1	
6	33860H37200H000	WIRE, BATTERY MINUS LEAD	1	

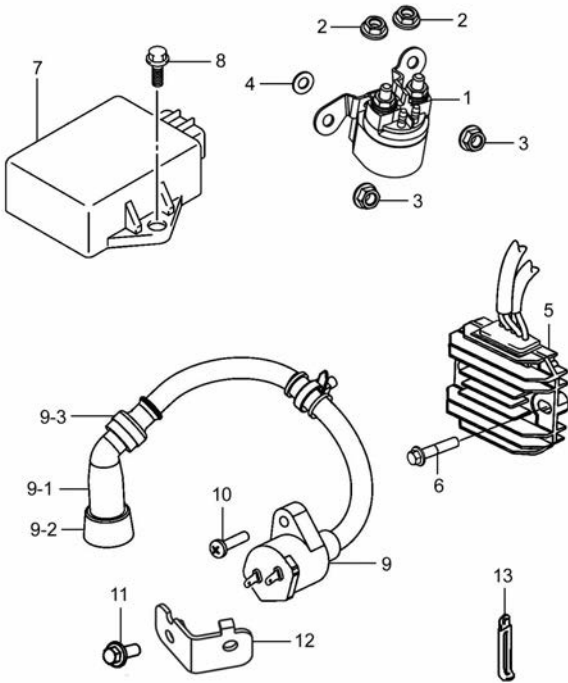
3



Fig. 21

Fig.21 ELECTRICAL (P05-S200-0031)

REF. No.	PART No.	DESCRIPTION	Q' TY	REMARKS
1	31800H37200H000	RELAY ASSY, STARTING MOTOR	1	
2	08361-3506A-000	NUT	2	
3	08316-1006A-000	NUT	2	
4	09160H06005H000	WASHER	1	
5	32800H05523H000	RECTIFIER ASSY	1	
6	01547-0616A-000	BOLT	2	
7	32900H37210H000	CDI UNIT	1	
8	01550-0616A-000	BOLT	2	
9	33410H37201H000	COIL ASSY, IGNITION	1	
9-1	33510-04H10-000	CAP, SPARK PLUG	1	
9-2	33541H2M100H000	SEAL, SPARK PLUG	1	
9-3	33542H05500H000	SEAL, HIGH TENSION CORD	1	
10	02112-1520A-000	CROSS RECESSED HEAD SCREW	1	
11	09136H06003H000	SCREW WITH WASHER	1	
12	33414H37200H000	BRACKET, IGNITION COIL	1	
13	36651H12500H000	CLAMP	1	



3

Fig. 22

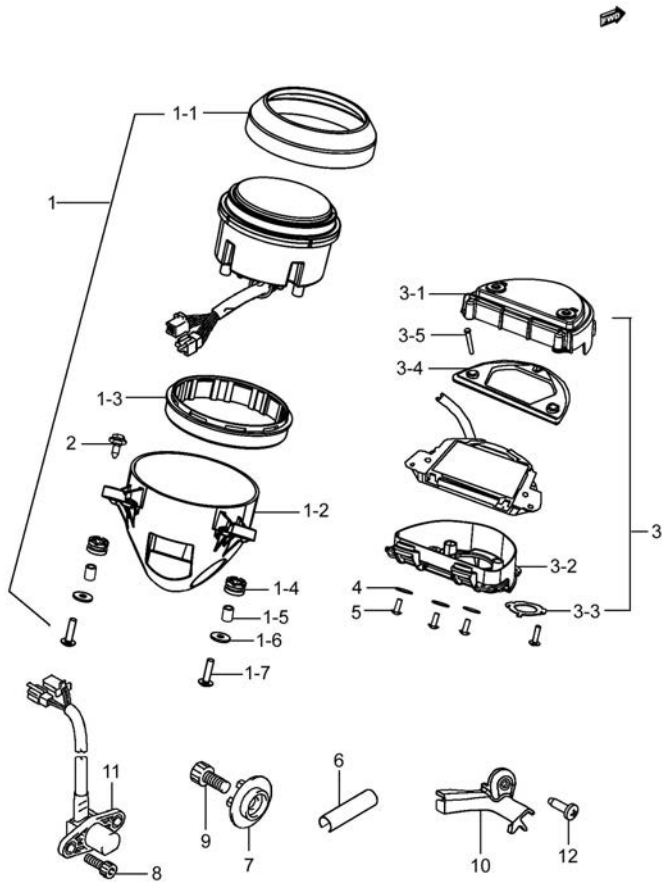


Fig.22 SPEEDOMETER (P05-S210-0034)

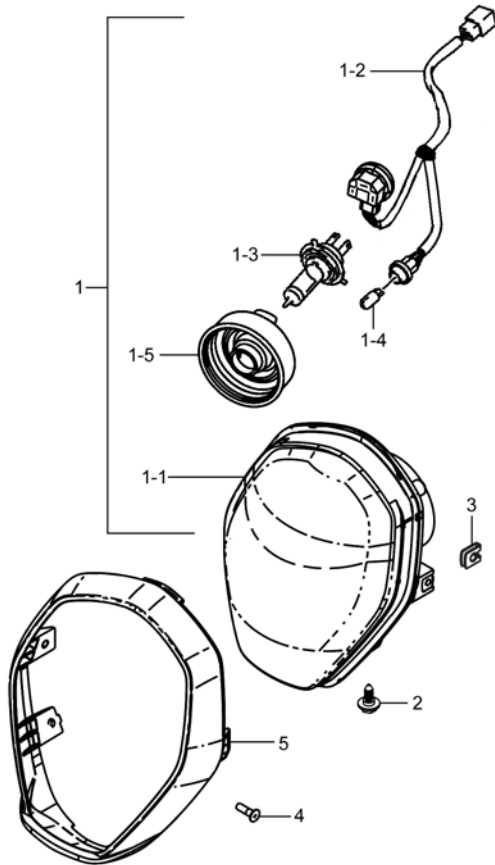
REF. No.	PART No.	DESCRIPTION	Q'TY	REMARKS
1	34100H37200H000	SPEEDOMETER ASSY	1	
1-1	34113H37200H000	PLATE, SPEEDOMETER	1	
1-2	34152H37200H000	LOW CASE, SPEEDOMETER	1	
1-3	34114H37200H000	CUSHION, SPEEDOMETER	1	
1-4	34188H37200H000	CUSHION, SPEEDOMETER	2	
1-5	34187H37200H000	SPACER, SPEEDOMETER	2	
1-6	34137H37200H000	WASHER, METER	2	
1-7	34147H37200H000	SCREW, SPEEDOMETER	2	
2	09111-06066-000	BOLT, FIXED FR FENDER	2	
3	34300H37200H000	METER ASSY, FUEL	1	
3-1	34350H37200H000	HOOD, FUEL METER	1	
3-2	34311H37200H000	CASE, FUEL METER	1	
3-3	34351H37200H000	BRACKET, FUEL METER	1	
3-4	34313H37200H000	PLATE, FUEL METER	1	
3-5	34124H37200H000	KNOB, SPEEDOMETER	1	
4	09160-04022-000	WASHER, PLAIN	3	
5	03241-0412B-000	CROSS RECESSED HEAD TAPPING SCREW	3	
6	94632H37200H000	CLAMP, WIRING HARNESS	1	
7	34981-26H00-000	ROTOR, SPEED	1	
8	07130-0512A-000	HEXAGON SOCKET HEAD CAP SCREW	2	
9	07130-0825A-000	BOLT	1	
10	34997H22500H000	CLAMP, SPEED SENSOR	1	
11	34990H2A410H000	SENSOR COMP, SPEED	1	
12	03541-0516A-000	CROSS RECESSED HEAD TAPPING SCREW	1	

3

Fig. 23

Fig.23 HEADLAMP (P05-S220-0030)

REF. No.	PART No.	DESCRIPTION	Q' TY	REMARKS
1	35100H37201H000	HEADLAMP ASSY	1	
1-1	35121H37200H000	UNIT, HEADLAMP	1	
1-2	35171H37200H000	CORD, HEADLAMP	1	
1-3	09471H12001H000	BULB (12V, 35/35W)	1	HS1 12V 35/35W
1-4	09471-12081-000	BULB, POSITION LAMP	1	12V W5W
1-5	35174H22510H000	BOOT, HEADLAMP HOUSING	1	
2	09136-05051-000	SCREW	1	
3	09148-05L01-000	NUT	2	
4	35181-45F10-000	SCREW, HEADLAMP	2	
5	35111H37200H000	RIM, HEADLAMP	1	



3

Fig. 24

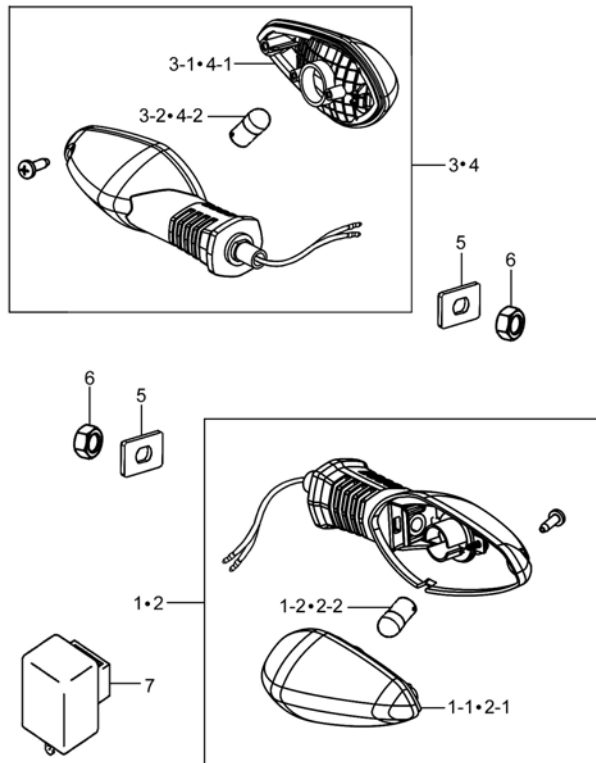


Fig.24 TURN SIGNAL LAMP (P05-S230-0026)

REF. No.	PART No.	DESCRIPTION	Q'TY	REMARKS
1	35601H37200H000	LAMP ASSY, FRONT TURNSIGNAL, R	1	
1-1	35610H37200H000	UNIT, FRONT TURNSIGNAL, R	1	
1-2	09471H12019H000	BULB (12V, 10W)	1	12V RY10W
2	35602H37200H000	LAMP ASSY, FRONT TURNSIGNAL, L	1	
2-1	35630H37200H000	UNIT, FRONT TURNSIGNAL, L	1	
2-2	09471H12019H000	BULB (12V, 10W)	1	12V RY10W
3	35603H37200H000	LAMP ASSY, REAR TURNSIGNAL, R	1	
3-1	35630H37200H000	UNIT, FRONT TURNSIGNAL, L	1	
3-2	09471H12019H000	BULB (12V, 10W)	1	12V RY10W
4	35604H37200H000	LAMP ASSY, REAR TURNSIGNAL, L	1	
4-1	35610H37200H000	UNIT, FRONT TURNSIGNAL, R	1	
4-2	09471H12019H000	BULB (12V, 10W)	1	12V RY10W
5	35616H11A01H000	PLATE, TURNSIGNAL	4	
6	08310-0010A-000	HEXAGON NUT	4	
7	38610H11222H000	RELAY ASSY, TURNSIGNAL	1	

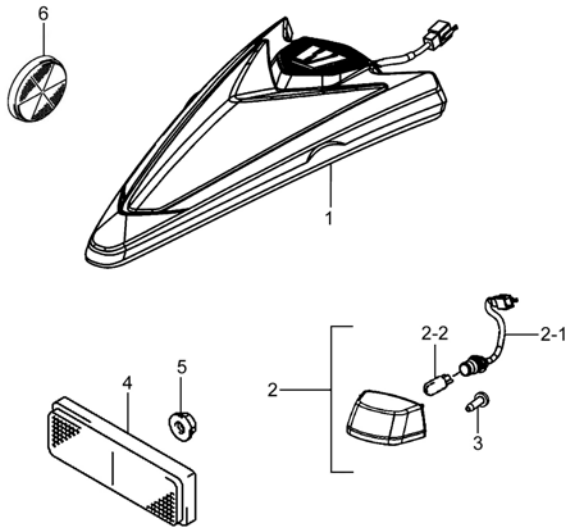
3



Fig. 25

**Fig.25 REAR COMBINATION LAMP (P05-S240-0024)**

REF. No.	PART No.	DESCRIPTION	Q' TY	REMARKS
1	35710H37200H000	LAMP ASSY, REAR COMB	1	
2	35910H37202H000	LAMP ASSY, LICENSE	1	
2-1	35918H37200H000	CORD, LICENSE LAMP	1	
2-2	09471-12081-000	BULB, POSITION LAMP	1	12V W5W
3	03541-0512A-000	CROSS RECESSED HEAD TAPPING SCREW	2	
4	35970H2F000H000	REFLEX REFLECTOR ASSY, REAR	1	
5	08316-1005A-000	HEXAGON FLANGE NUT	1	
6	35950H2J060H000	REFLEX REFLECTOR ASSY, SIDE	2	



3



Fig. 26

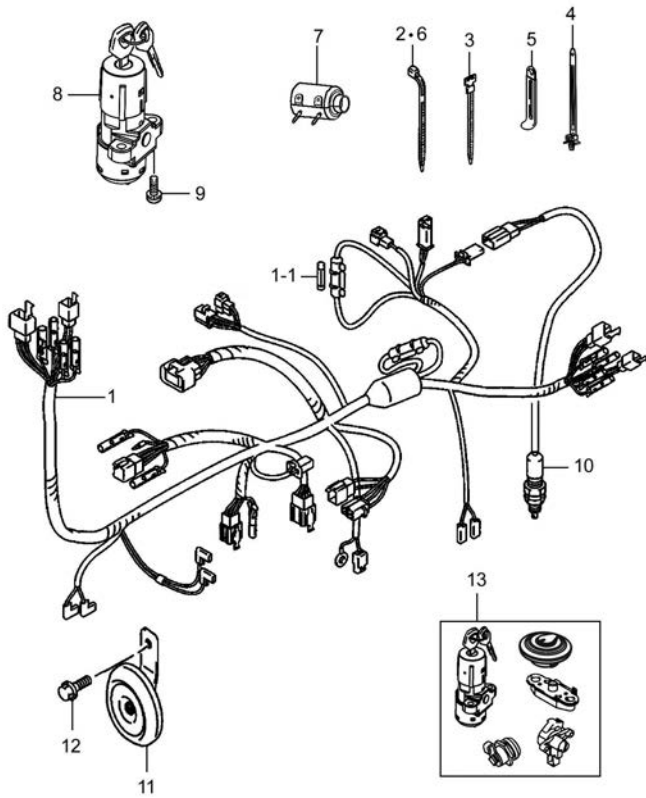


Fig.26 WIRING HARNESS (P05-S250-0039)

REF. No.	PART No.	DESCRIPTION	Q'TY	REMARKS
1	36610H37202H000	HARNESS WIRING	1	
1-1	09481-15001-000	FUSE	2	15A
2	09407-14403-000	CLAMP, FUEL HOSE	5	L=125
3	09407-12402-000	CLAMP, WIRING HARNESS	2	
4	36651-12F10-000	CLAMP	2	
5	09404-06038-000	CLAMP	2	
6	09407-25401-000	CLAMP, WIRING HARNESS	1	L=235
7	36618H79201H000	BOOT, WIRING HARNESS	1	
8	37100H37200H000	LOCK ASSY, STEERING	1	
9	09139-06048-000	BOLT, STEERING LOCK	2	
10	37740H37200H000	SWITCH ASSY, STOP LAMP	1	
11	38500H2C000H000	HORN ASSY	1	
12	01550-0612A-000	BOLT	1	
13	37011H3720AH000	LOCK SET	1	

3



Fig. 27

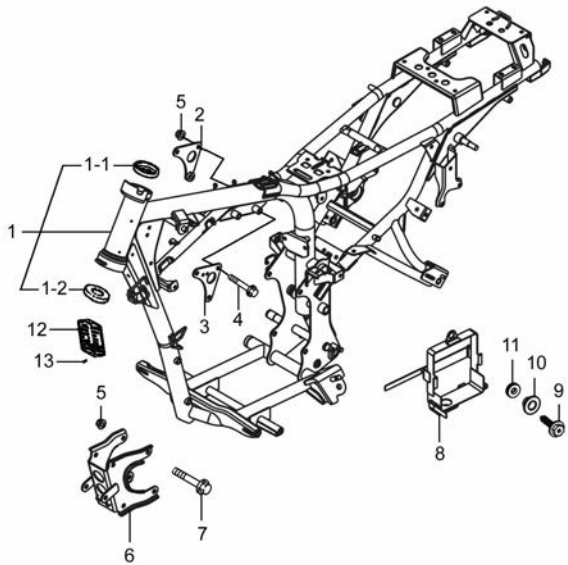


Fig.27 FRAME (P05-S260-0055)

REF. No.	PART No.	DESCRIPTION	Q' TY	REMARKS
1	41100H37Y50H000	FRAME SET	1	
1-1	51611H22500H000	RACE, STEERING INNER UPPER	1	
1-2	51612H22500H000	RACE, STEERING INNER LOWER	1	
2	41970H37200H000	PLATE COMP, ENG MTG UPPER, R	1	
3	41980H37200H000	PLATE COMP, ENG MTG UPPER, L	1	
4	09103H08013H000	BOLT, HEXAGON	2	
5	08319-3108A-000	NUT	4	
6	41990H37200H000	BRACKET COMP, ENG. MTG LOWER	1	
7	09103H08010H000	BOLT, HEXAGON	2	
8	41560H37200H000	BRACKET ASSY, BATTERY	1	
9	01500-0616A-000	HEXAGON HEAD BOLT	3	
10	09169-06065-000	SPACER, BATTERY HOLDER	3	
11	09320H08005H000	CUSHION	3	
12	68311H56110H000	PLATE, LICENSE	1	
13	09229H03003H000	RIVET, BLIND	2	

4

Fig. 28

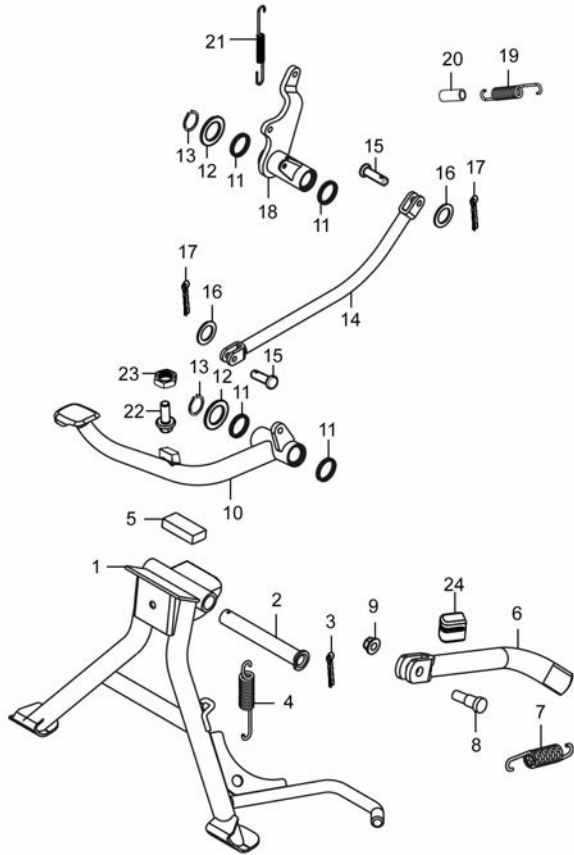


Fig.28 STAND (P05-S270-0022)

REF. No.	PART No.	DESCRIPTION	Q' TY	REMARKS
1	42100H37200H000	STAND COMP, CENTER	1	
2	42211H37200H000	SHAFT, CENTER STAND	1	
3	04111-2525A-000	COTTER PIN	1	
4	09443-18002-000	SPRING, CENTER STAND	1	
5	42181H50002H000	CUSHION	1	
6	42310H37200H000	STAND COMP, PROP	1	
7	42241-26H10-000	SPRING, CENTER STAND	1	
8	42341-36H00-000	BOLT, PROP STAND	1	
9	08319-3110A-000	NUT	1	
10	43110H37200H000	PEDAL COMP, BRAKE	1	
11	43116H22500H000	SEAL, BRAKE PEDAL	4	
12	09160H17001H000	WASHER, PLAIN	2	
13	08331-3117A-000	CIRCLIP	2	
14	43130H37200H000	ROD COMP, RR BRAKE, FRONT	1	
15	09200H06006H000	PIN WITH HOLE	2	
16	08322-0106A-000	WASHER, PLAIN	2	
17	04111-2015A-000	COTTER PIN	2	
18	43140H37200H000	LINK COMP, RR BRAKE	1	
19	09443H14004H000	SPRING, TENSION	1	
20	43142H21302H000	HOSE, RUBBER	1	
21	43115H36600H000	SPRING, STOP LAMP	1	
22	43159-45F00-000	BOLT, BRAKE PEDAL ADJUSTER	1	
23	08310-0006A-000	NUT	1	
24	43125H7H000H000	CUSHION, BRACKET	1	

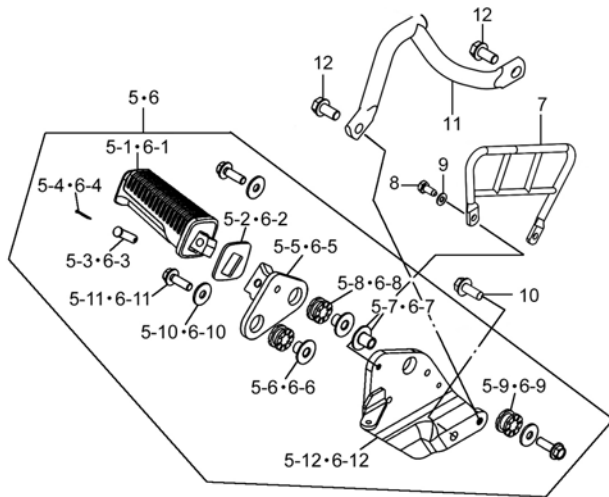
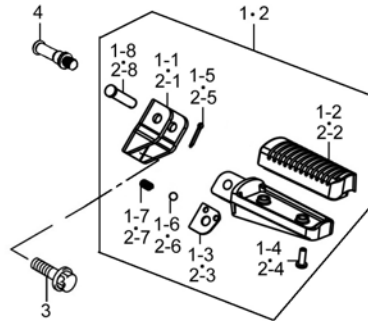
4



Fig. 29

Fig.29 FOOTREST (P05-S280-0030)

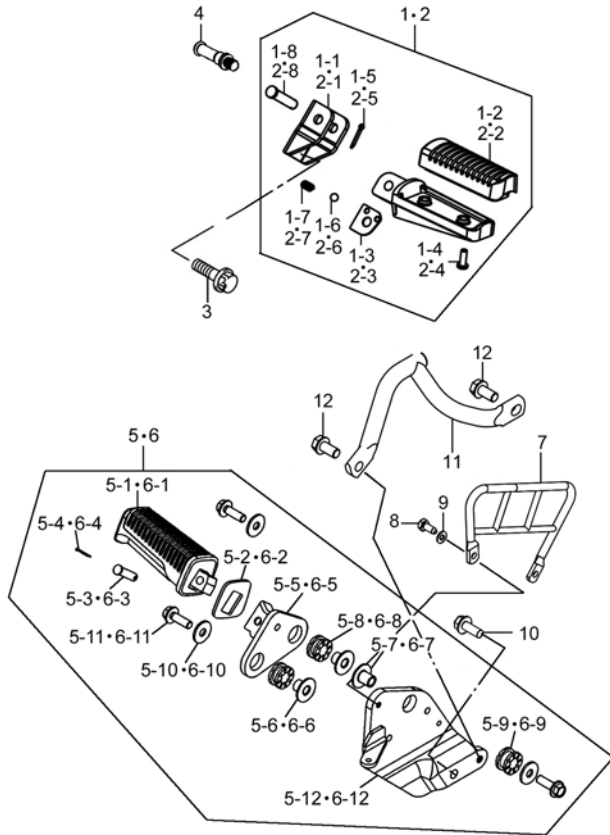
REF. No.	PART No.	DESCRIPTION	Q' TY	REMARKS
1	43600H33D00H000	FOOTREST ASSY, PILLION, R	1	
1-1	43621H33D00H000	HOLDER, PILLION FOOTREST	1	
1-2	43550-45F00-000	RUBBER COMP, PILLION FOOTREST	1	
1-3	43614H33D00H000	PLATE, FOOTREST STOP	1	
1-4	02112-0514A-000	CROSS RECESSED HEAD SCREW	2	
1-5	04111-2520A-000	COTTER PIN	1	
1-6	06111-08004-000	BALL, STEERING, UPPER	1	
1-7	43613-45F00-000	SPRING, PILLION FOOTREST	1	
1-8	09200-08057-000	PIN WITH HOLE	1	
2	43700H33D00H000	FOOTREST ASSY, PILLION, L	1	
2-1	43621H33D00H000	HOLDER, PILLION FOOTREST	1	
2-2	43550-45F00-000	RUBBER COMP, PILLION FOOTREST	1	
2-3	43614H33D00H000	PLATE, FOOTREST STOP	1	
2-4	02112-0514A-000	CROSS RECESSED HEAD SCREW	2	
2-5	04111-2520A-000	COTTER PIN	1	
2-6	06111-08004-000	BALL, STEERING, UPPER	1	
2-7	43613-45F00-000	SPRING, PILLION FOOTREST	1	
2-8	09200-08057-000	PIN WITH HOLE	1	
3	01560-1025A-000	HEXAGON HEAD BOLT	2	
4	43642H22510H000	BOLT, PILLION FOOTREST GUARD	1	
5	43501H37501H000	FOOTREST ASSY, FRONT, R	1	
5-1	43550H37501H000	FOOTREST COMP, FRONT, R	1	
5-2	43546-38B01-000	WASHER, FR FOOTREST	1	
5-3	43529-12FH0-000	pin	1	
5-4	04111-1614A-000	COTTER PIN	1	
5-5	43510H37500H000	HOLDER COMP, FR FOOTREST, R	1	
5-6	09180H08024H000	SPACER	2	
5-7	09180H08025H000	SPACER	1	
5-8	09320H11001H000	CUSHION	2	



4

Fig. 29

Fig.29 FOOTREST (P05-S280-0030)



REF. No.	PART No.	DESCRIPTION	Q'TY	REMARKS
5-9	09320H11002H000	CUSHION	1	
5-10	09160H08018H000	WASHER	3	
5-11	01550-0825B-000	BOLT, HEXAGON HEAD FLANGE	3	
5-12	41711H37500H000	BRACKET, FOOTREST FR, R	1	
6	43502H37501H000	FOOTREST ASSY, FRONT, L	1	
6-1	43560H37501H000	FOOTREST COMP, FRONT, L	1	
6-2	43546-38B01-000	WASHER, FR FOOTREST	1	
6-3	43529-12FH0-000	pin	1	
6-4	04111-1614A-000	COTTER PIN	1	
6-5	43520H37500H000	HOLDER COMP, FR FOOTREST, L	1	
6-6	09180H08024H000	SPACER	2	
6-7	09180H08025H000	SPACER	1	
6-8	09320H11001H000	CUSHION	2	
6-9	09320H11002H000	CUSHION	1	
6-10	09160H08018H000	WASHER	3	
6-11	01550-0825B-000	BOLT, HEXAGON HEAD FLANGE	3	
6-12	41721H37500H000	BRACKET, FOOTREST FR, L	1	
7	43570H37500H000	GUARD COMP, FR FOOTREST, R	1	
8	01500-0612A-000	BOLTS, HEXAGON HEAD	2	
9	09160-06013-000	GASKET	2	
10	01550-0825B-000	BOLT, HEXAGON HEAD FLANGE	4	
11	26360H37200H000	STOPPER COMP, KICK START LEVER	1	
12	01550-0816A-000	HEXAGON BOLT WITH FLANGE	2	

4

Fig. 30

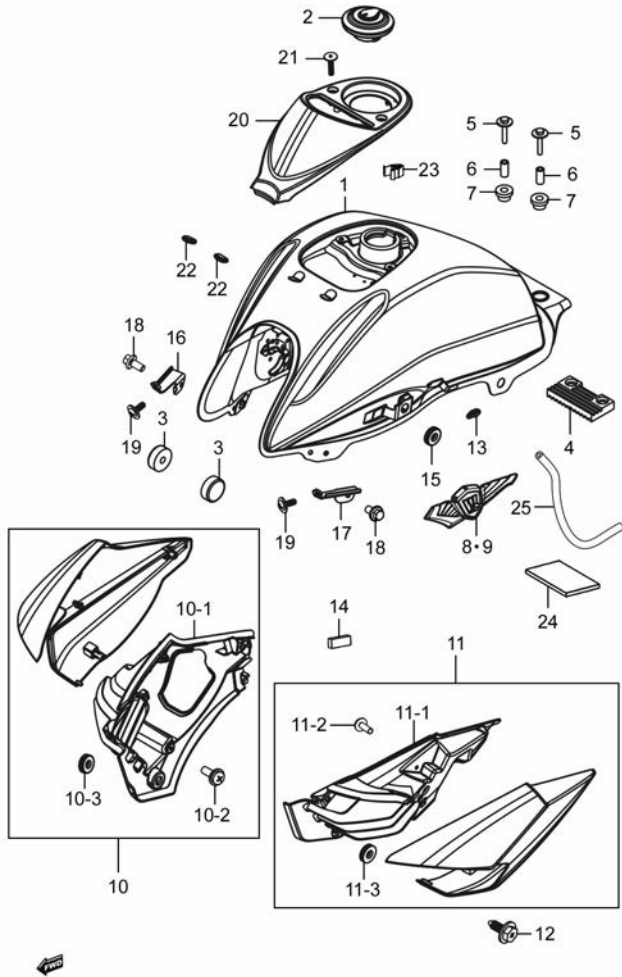


Fig.30 FUEL TANK (P05-S290-0037)

REF. No.	PART No.	DESCRIPTION	Q' TY	REMARKS
1	44110H37210H612	TANK COMP, FUEL (BLUE)	1	
1	44110H37210H123	TANK COMP, FUEL (123)	1	
1	44110H37210H501	TANK COMP, FUEL (PEARL BLACK)	1	
2	44200H37211H000	CAP ASSY, FUEL TANK FILLER	1	
3	44281-12FH0-000	CUSHION, FRONT	2	
4	44542-38300-000	CUSHION, FUEL TANK REAR NO. 1	1	
5	09116-06084-000	BOLT, FUEL TANK REAR	2	
6	09180-06067-000	SPACER, FUEL TANK REAR	2	
7	44542-36H10-000	CUSHION, FUEL TANK REAR UPPER	2	
8	68113H37200H000	EMBLEM, FUEL TANK, R	1	
9	68123H37200H000	EMBLEM, FUEL TANK, L	1	
10	44017H3720AH827	COVER SET, FUEL TANK, R (SILVER)	1	
10-1	44271H37201H000	COVER, FUEL TANK FRONT, R	1	
10-2	09136H04003H000	SCREW WITH WASHER	4	
10-3	09320-09016-000	CUSHION, CYL COWLING	1	
11	44018H3720CH827	COVER SET, FUEL TANK, L (827)	1	
11-1	44281H37202H000	COVER, FUEL TANK FRONT, L	1	
11-2	09136H04003H000	SCREW WITH WASHER	4	
11-3	09320-09016-000	CUSHION, CYL COWLING	1	
12	09111H06010H000	BOLT	2	
13	62478H22500H000	BUSH, RUBBER	2	
14	44259H37200H000	SEPARATOR	2	
15	09320-08513-000	CUSHION	2	
16	44174H37200HN00	BRACKET COMP, FUEL TANK SHIELD, R	1	
17	44184H37200HN00	BRACKET COMP, FUEL TANK SHIELD, L	1	
18	01550-0612A-000	BOLT	2	
19	02142-0514B-000	CROSS RECESSED HEAD SCREW	2	
20	44185H37200H000	COVER, FUEL TANK METER	1	
21	09139H05003H000	SCREW	2	

Fig. 30

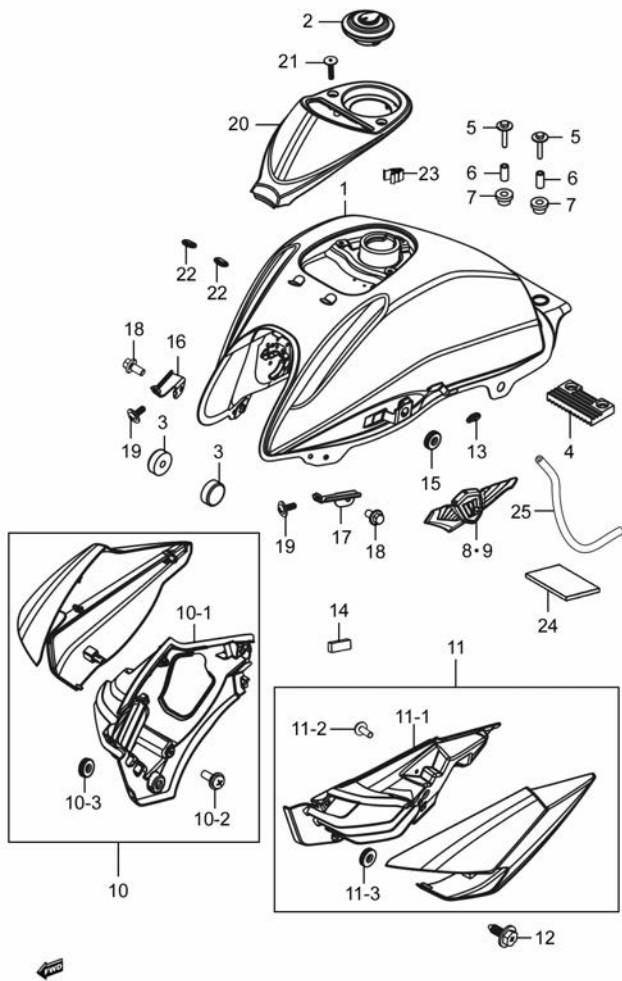


Fig.30 FUEL TANK (P05-S290-0037)

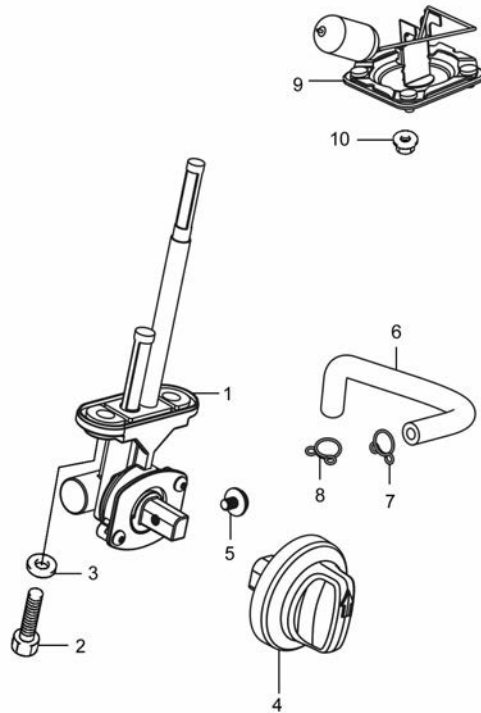
REF. No.	PART No.	DESCRIPTION	Q' TY	REMARKS
22	62478H37200H000	BUSH, RUBBER	2	
23	48291-32GH0-000	CLIP	1	
24	44256H12600H000	SEPARATOR	1	
25	44423H37201H000	HOSE, FUEL TANK DRAIN, NO. 1	1	

4

Fig. 31

**Fig.31 FUEL COCK (P05-S300-0020)**

REF. No.	PART No.	DESCRIPTION	Q' TY	REMARKS
1	44300H37200H000	COCK ASSY, FUEL	1	
2	09128-06006-000	BOLT, FUEL COCK	2	
3	09168H06026H000	GASKET, FUEL COCK	2	
4	44352H37200H000	COVER, FUEL COCK	1	
5	02112-1408A-000	CROSS RECESSED HEAD SCREW	1	
6	44421H37200H000	HOSE, OUTLET	1	
7	09401-09101-000	CLAMP	1	
8	09401H08302H000	CLAMP	1	
9	34810H37200H000	GAUGE ASSY, FUEL LEVEL SENDER	1	
10	08316-1006A-000	NUT	4	



4





Fig. 32

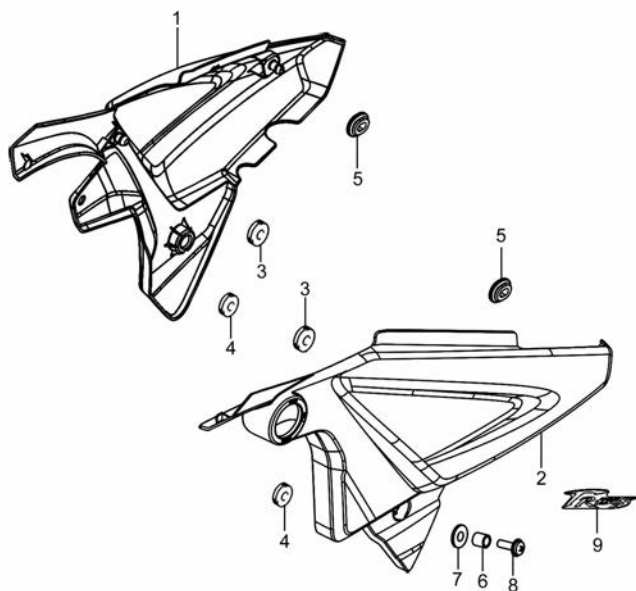


Fig.32 FRAME COVER (P05-S310-0040)

REF. No.	PART No.	DESCRIPTION	Q' TY	REMARKS
1	47111H37200HA10	COVER, FRAME, R (BLUE/BLACK)	1	
1	47111H37200HA43	COVER, FRAME, R (A43)	1	
1	47111H37200HA42	COVER, FRAME, R (PEARL BLACK/MATTE BLACK)	1	
2	47211H37200HA10	COVER, FRAME, L (BLUE/MATTE BLACK)	1	
2	47211H37200HA43	COVER, FRAME, L (A43)	1	
2	47211H37200HA42	COVER, FRAME, L (PEARL BLACK/MATTE BLACK)	1	
3	09320-08513-000	CUSHION	2	D=26
4	09320H10023H000	CUSHION	2	D=19
5	47312H02100H000	RUBBER CUSHION	2	
6	09180H06336H000	SPACER	2	
7	09160-06039-000	washer	2	
8	02142-0616B-000	SCREW	2	
9	68130H37210HSM8	TAPE SET, FRAME COVER TYPE (SM8)	2	
9	68130H37210HSN2	TAPE SET, FRAME COVER TYPE (SN2)	2	

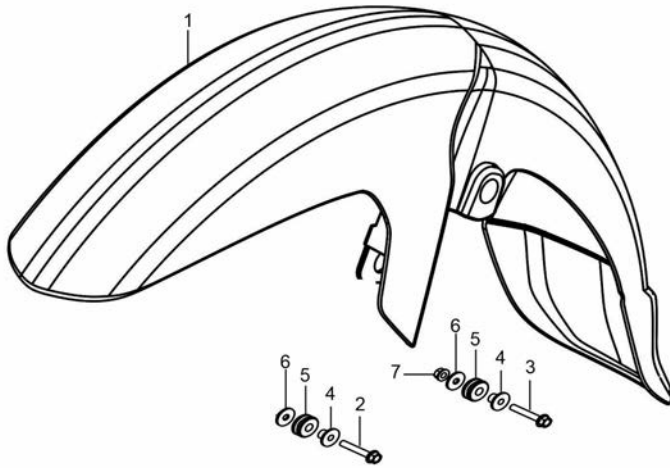
4



Fig. 33

**Fig.33 FRONT FENDER (P05-S320-0024)**

REF. No.	PART No.	DESCRIPTION	Q' TY	REMARKS
1	53111H37200HA10	FENDER, FRONT (BLUE/MATTE BLACK)	1	
1	53111H37200HA43	FENDER, FRONT (RED/MATTE BLACK)	1	
1	53111H37200HA42	FENDER, FRONT (PEARL BLACK/MATTE BLACK)	1	
2	01547-0625A-000	BOLT	2	
3	01547-0635A-000	BOLT	2	
4	09180H06022H000	SPACER	4	
5	09320-08047-000	CUSHION, SEAT TAIL COVER FRONT	4	
6	09160-06088-000	WASHER, REAR COMB LAMP	4	
7	08316-1006A-000	NUT	2	



**4**



Fig. 34

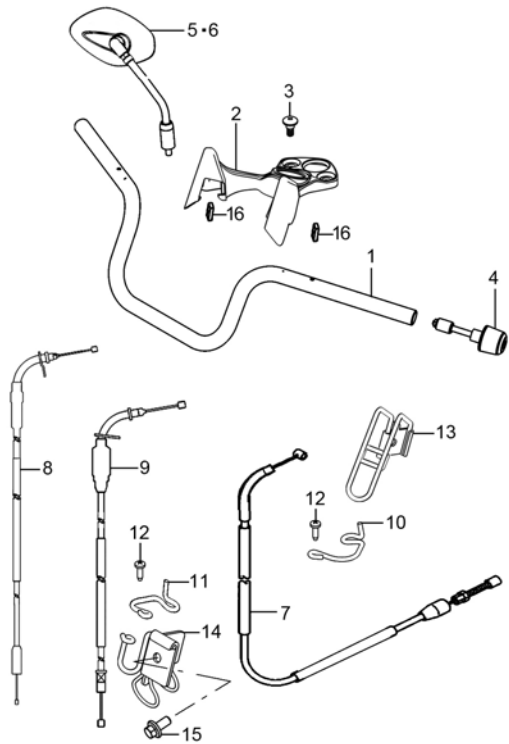


Fig.34 HANDLEBAR (P05-S330-0052)

REF. No.	PART No.	DESCRIPTION	Q'TY	REMARKS
1	56111H37210H000	HANDLEBAR	1	
2	56171H37201H000	COVER, STEERING HEAD	1	
3	09139H06007H000	SCREW	2	
4	56270H37220H000	BALANCER ASSY, HANDLEBAR	2	
5	56500H37230H000	MIRROR ASSY, REAR VIEW, R	1	
6	56600H37230H000	MIRROR ASSY, REAR VIEW, L	1	
7	58200H37210H000	CABLE ASSY, CLUTCH	1	
8	58300H37210H000	CABLE ASSY, THROTTLE	1	
9	58410H37210H000	CABLE COMP, STARTER	1	
10	58620H37200H000	GUIDE COMP, CABLE	1	
11	58630H37200H000	GUIDE COMP, CABLE, No. 1	1	
12	02112-1612B-000	SCREWS, CROSS RECESSED HEAD	2	
13	58620H37230H000	GUIDE COMP, CABLE	1	
14	58620H37220H000	GUIDE COMP, CABLE	1	
15	01550-0612B-000	BOLT	1	
16	44256H22500H000	SEPARATOR	2	

4



Fig. 35

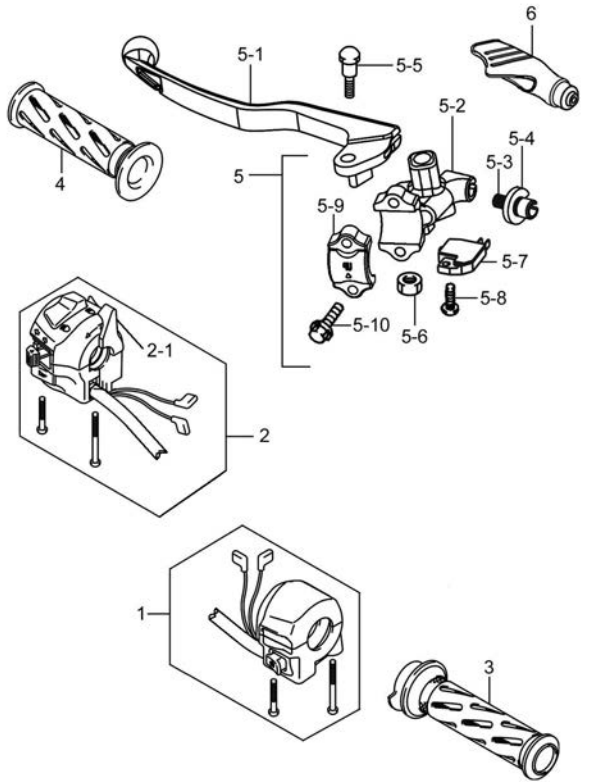


Fig.35 HANDLE SWITCH (P05-S340-0038)

REF. No.	PART No.	DESCRIPTION	Q' TY	REMARKS
1	37200H37220H000	SWITCH ASSY, HANDLE, R	1	
2	37400H37211H000	SWITCH ASSY, HANDLE, L	1	
2-1	37571H05503H000	LEVER, CHOKE	1	
3	57110-28G10-000	GRIP COMP THROTTLE	1	
4	57211-45FB0-000	GRIP, L	1	
5	57500H053E0H000	LEVER ASSY, CLUTCH & SWITCH	1	
5-1	57621H053C0H000	LEVER, CLUTCH	1	
5-2	57511-053B0-000	HOLDER, LEVER	1	
5-3	57441-053B0-000	ADJUSTER, BRAKE CABLE	1	
5-4	57442-053B0-000	NUT, LOCK	1	
5-5	57431-45C01-000	BOLT, LEVER	1	
5-6	57518H2G100H000	NUT	1	
5-7	57560-28G11-000	SWITCH ASSY, CLUTCH	1	
5-8	02112-0410A-000	CROSS RECESSED HEAD SCREW	1	
5-9	57512-45F00-000	BRACKET	1	
5-10	01547-0622B-000	BOLTS, HEXAGON HEAD FLANGE	2	
6	57661-05300-000	COVER, CLUTCH LEVER	1	

4

Fig. 36

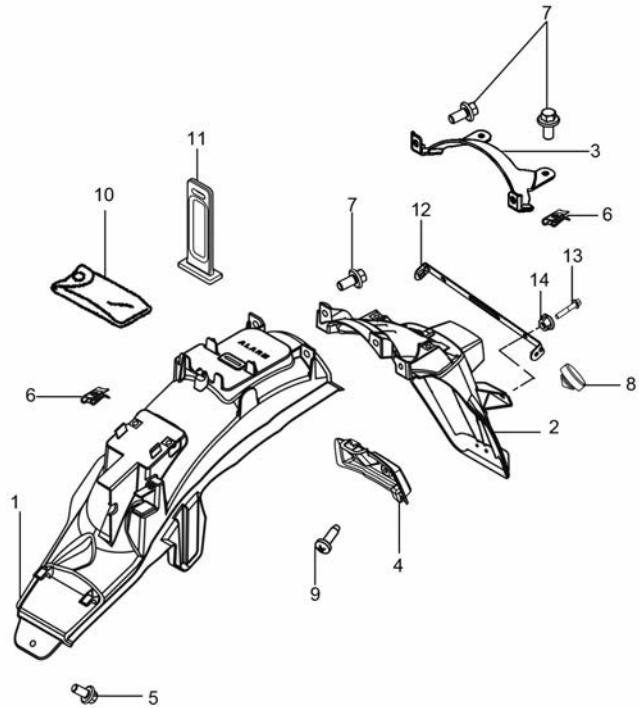


Fig.36 REAR FENDER (P05-S350-0021)

REF. No.	PART No.	DESCRIPTION	Q'TY	REMARKS
1	63112H37201H000	BODY, REAR FENDER, FRONT	1	
2	63111H37200H000	FENDER, REAR	1	
3	63121H37200H000	BRACKET, REAR FENDER	1	
4	63151H37200H000	INNER SCALEBOARD, REAR FENDER	1	
5	09111-06066-000	BOLT, FIXED FR FENDER	1	
6	35157H22501H000	NUT	4	
7	01550-0616A-000	BOLT	6	
8	09329-10001-000	CUSHION	1	
9	03541-0516A-000	CROSS RECESSED HEAD TAPPING SCREW	2	
10	09800H20015H000	TOOL ASSY	1	
11	47435H37200H000	BAND, TOOL	1	
12	35927H40000H000	BRACKET, LICENSE PLATE	1	
13	01550-0616A-000	BOLT	2	
14	08316-1006A-000	NUT	2	

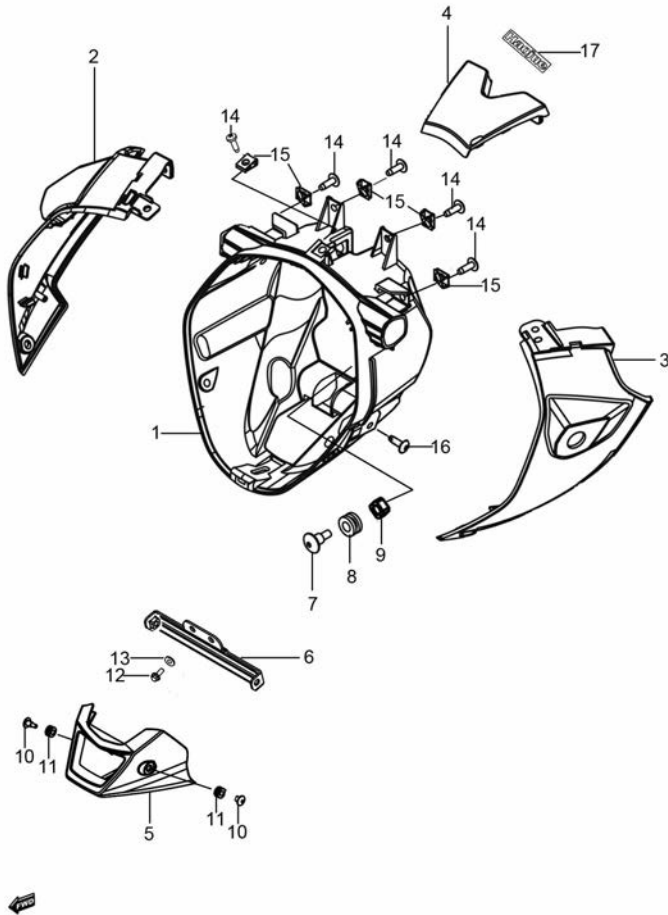
4



Fig. 37

Fig.37 COWLING (P05-S360-0021)

REF. No.	PART No.	DESCRIPTION	Q' TY	REMARKS
1	51811H37200H511	HOUSING, HEADLAMP (BLACK)	1	
2	51831H37200H827	COVER, HEADLAMP HSG, R (SILVER)	1	
3	51841H37200H827	COVER, HEADLAMP SIDE, L (SILVER)	1	
4	51821H37200H827	COVER, HEADLAMP UPPER (SILVER)	1	
5	94491H37200H612	COWL, UNDER (BLUE)	1	
5	94491H37200H123	COWL, UNDER (RED)	1	
5	94491H37200H501	COWL, UNDER (PEARL BLACK)	1	
6	94475H37200HN00	BRACKET COMP, UNDER COWL	1	
7	09136H06002H000	SCREW WITH WASHER	2	
8	09320-08047-000	CUSHION, SEAT TAIL COVER FRONT	2	
9	09180-06263-000	SPACER, CYL COWLING (L9)	2	
10	35151-48H00-000	SCREW, HEADLAMP	2	
11	09320-09016-000	CUSHION, CYL COWLING	2	
12	01550-0612A-000	BOLT	2	
13	09320-08513-000	CUSHION	2	
14	03241-0516A-000	CROSS RECESSED HEAD TAPPING SCREW	5	
15	09148-05077-000	NUT	5	
16	35181H37200H000	SCREW, HEADLAMP	2	
17	68170H37201HSJ2	TAPE, Haojue LOGO (SJ2)	1	



4

Fig. 38

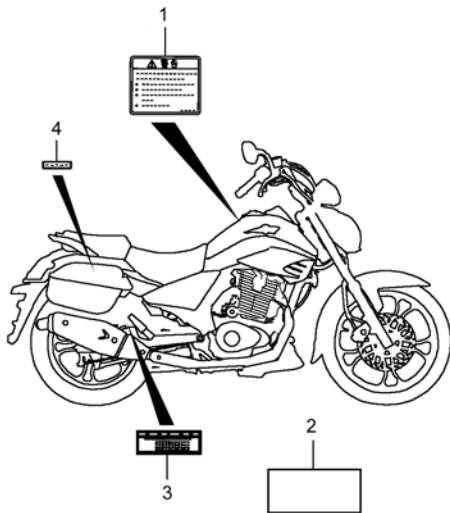


Fig.38 LABEL (P05-S370-0046)

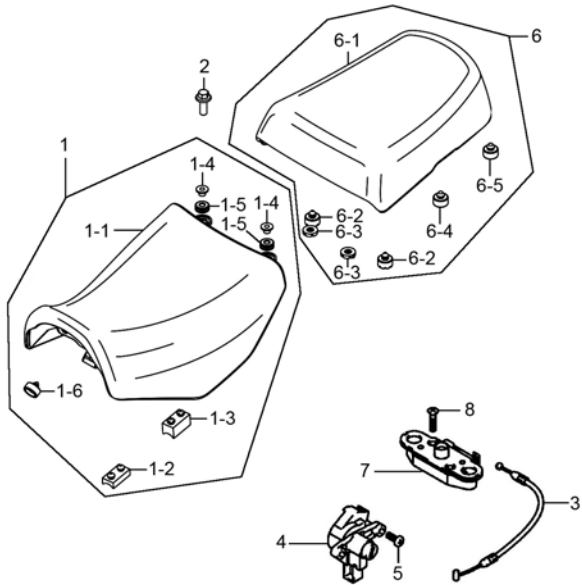
REF. No.	PART No.	DESCRIPTION	Q' TY	REMARKS
1	68319H22510H000	LABEL, GENERAL WARNING	1	
2	99011H37221H000	MANUAL, OWNER'S	1	
3	68332H37210H000	LABEL, TIRE INFORMATION	1	
4	68391H37200H000	LABEL, LOADING CAPACITY	2	

4

Fig. 39

Fig.39 SEAT (P05-S380-0021)

REF. No.	PART No.	DESCRIPTION	Q' TY	REMARKS
1	45100H37200H000	SEAT ASSY	1	
1-1	45160H37200H000	COVER COMP, SEAT	1	
1-2	45149H22500H000	CUSHION, SEAT MOUNT CTR	2	
1-3	45149H05500H000	CUSHION, SEAT	2	
1-4	09180H06022H000	SPACER	2	
1-5	09320-08047-000	CUSHION, SEAT TAIL COVER FRONT	2	
1-6	45148-33G00-000	CUSHION, SEAT MOUNT REAR	2	
2	01550-0625A-000	BOLT	2	
3	45280H37200H000	CABLE COMP, SEAT LOCK	1	
4	95700H2A000H000	LOCK ASSY, SEAT & HELMET	1	
5	09139H06008H000	SCREW	2	
6	45300H37200H000	SEAT ASSY, PILLION	1	
6-1	45160H37210H000	COVER COMP, SEAT	1	
6-2	45148-20G00-000	CUSHION, SEAT MOUNT REAR	2	
6-3	45150H22500H000	CUSHION COMP	2	
6-4	45148H52100H000	CUSHION, SEAT MOUNT	2	
6-5	09329-10001-000	CUSHION	1	
7	45220H2A000H000	LOCK ASSY, SEAT STRIKER	1	
8	02122-0630B-000	CROSS RECESSED COUNTERSUNK HEAD SCREW	2	



4



Fig. 40

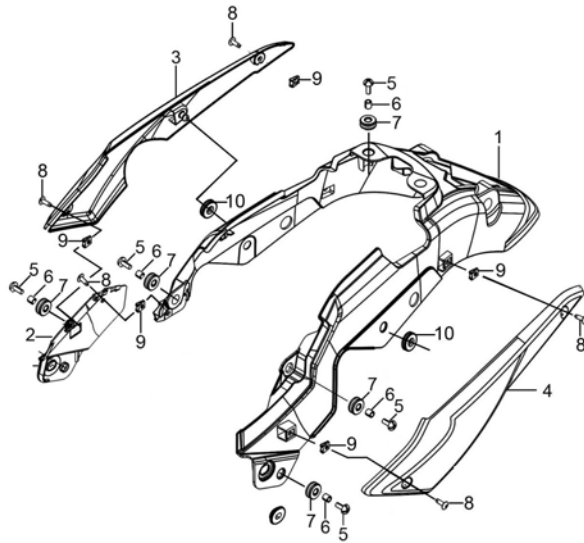


Fig.40 COVER,SEAT TAIL (P05-S390-0031)

REF. No.	PART No.	DESCRIPTION	Q' TY	REMARKS
1	45511H37200H612	COVER, SEAT TAIL (BLUE)	1	
1	45511H37200H123	COVER, SEAT TAIL (RED)	1	
1	45511H37200H501	COVER, SEAT TAIL (PEARL BLACK)	1	
2	45571H37200H612	COVER, SEAT TAIL, R (BLUE)	1	
2	45571H37200H123	COVER, SEAT TAIL, R (RED)	1	
2	45571H37200H501	COVER, SEAT TAIL, R (PEARL BLACK)	1	
3	45541H37200H827	LID, SEAT TAIL COVER, R (SILVER)	1	
4	45542H37200H827	LID, SEAT TAIL COVER, L (SILVER)	1	
5	09136H06002H000	SCREW WITH WASHER	6	
6	09180-06263-000	SPACER, CYL COWLING (L9)	6	
7	09320-08047-000	CUSHION, SEAT TAIL COVER FRONT	6	
8	03241-0516A-000	CROSS RECESSED HEAD TAPPING SCREW	5	
9	09148-05077-000	NUT	5	
10	09320-08513-000	CUSHION	2	

4



Fig. 41

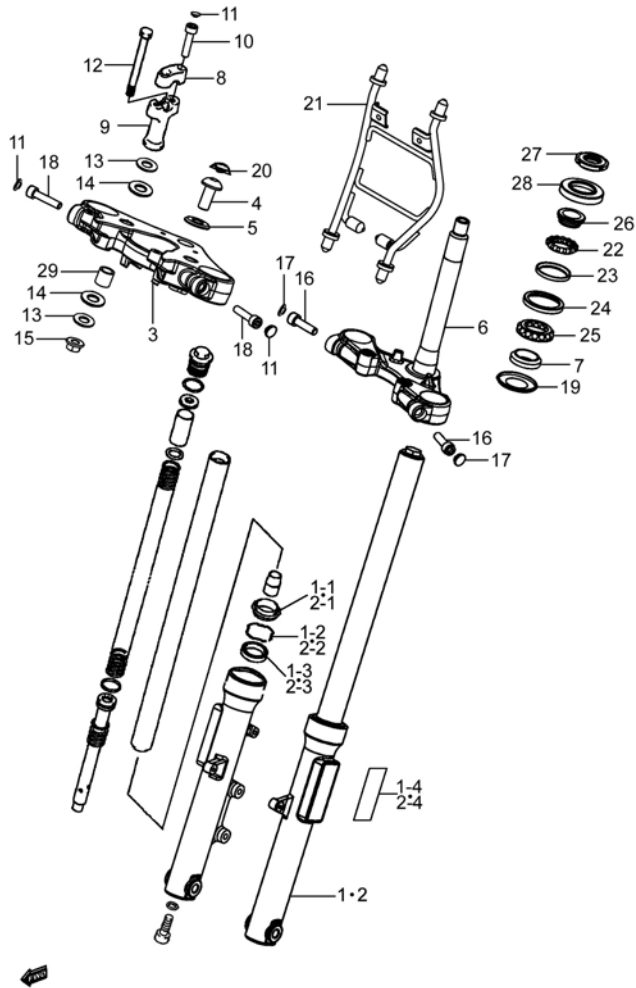


Fig.41 STEERING STEM (P05-S400-0040)

REF. No.	PART No.	DESCRIPTION	Q' TY	REMARKS
1	51103H37201H000	DAMPER ASSY, FRONT FORK, R	1	
1-1	51153H37200H000	SEAL, OIL	1	
1-2	51156H37200H000	SEAL, OIL SET	1	
1-3	51173H37200H000	COVER, DUST SEAL	1	
1-4	35950H2F000H000	REFLEX REFLECTOR ASSY, FR SIDE	1	
2	51104H37201H000	DAMPER ASSY, FRONT FORK, L	1	
2-1	51153H37200H000	SEAL, OIL	1	
2-2	51156H37200H000	SEAL, OIL SET	1	
2-3	51173H37200H000	COVER, DUST SEAL	1	
2-4	35950H2F000H000	REFLEX REFLECTOR ASSY, FR SIDE	1	
3	51311H37200H000	BRACKET, UPPER	1	
4	51351H37200H000	BOLT, STEERING STEM	1	
5	51356-12FH0-000	washer	1	
6	51410H37202H000	BRACKET COMP, UNDER	1	
7	51622H22500H000	RACE, STEERING OUTER LOWER	1	
8	56211H33D00H000	HOLDER, HANDLE UPPER	2	
9	56221-12FH0-000	HOLDER, HANDLE LOWER	2	
10	07130-0830A-000	HEXAGON SOCKET HEAD CAP SCREW	4	
11	51227-25H00-000	CAP, HANDLE HOLDER BOLT	6	
12	51226-12FH0-000	bolt	2	
13	51354-12FH0-000	WASHER	4	
14	56245-12FH0-000	SPACER	4	
15	08319-3112A-000	U-NUT	2	
16	07130-10357-000	BOLT, BRACKET UNDER	2	
17	09250-08010-000	PLUG	2	
18	07130-0835A-000	HEXAGON SOCKET HEAD CAP SCREW	2	
19	51644-12C00-000	SEAL, STEERING LOWER	1	
20	09250H10001H000	PLUG	1	
21	51520H37201H000	BRACKET ASSY, HEADLAMP	1	

Fig. 41

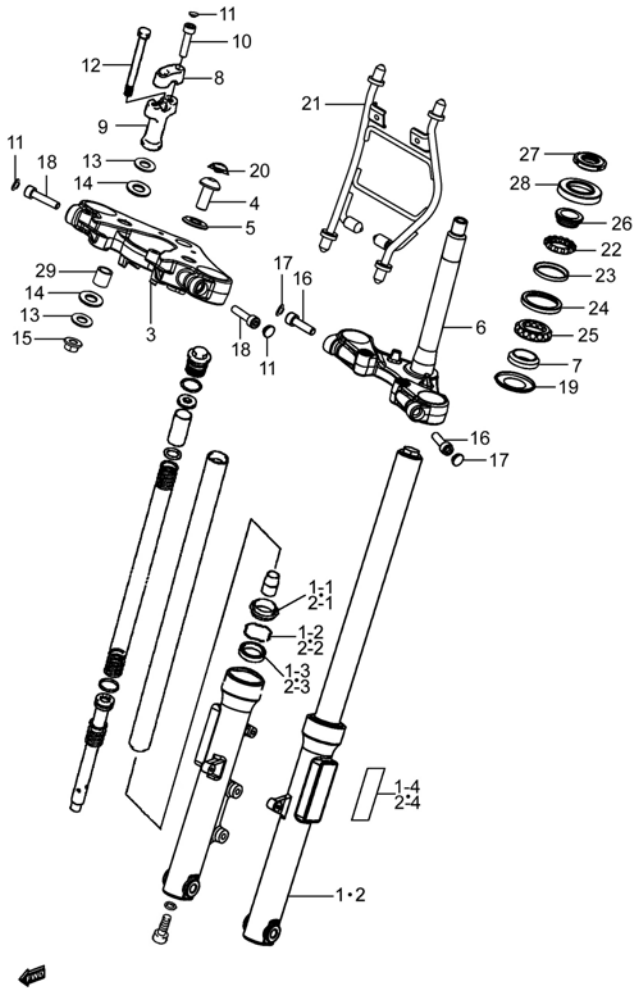


Fig.41 STEERING STEM (P05-S400-0040)

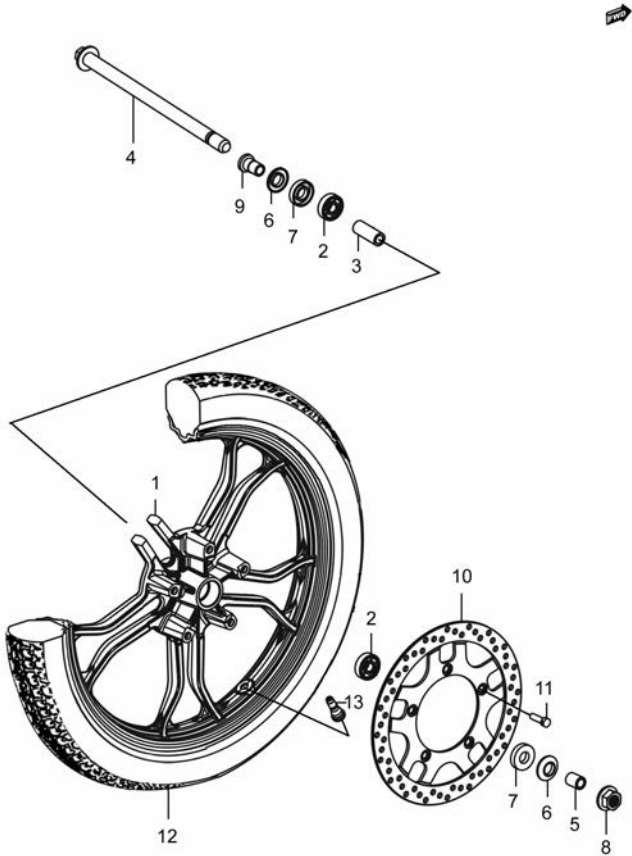
REF. No.	PART No.	DESCRIPTION	Q' TY	REMARKS
22	51610-12FH0-000	BALL, STEERING STEEL UPPER	1	
23	51611H22500H000	RACE, STEERING INNER UPPER	1	
24	51612H22500H000	RACE, STEERING INNER LOWER	1	
25	51620-12FH0-000	BALL, STEERING STEEL LOWER	1	
26	51621H22500H000	RACE, STEERING OUTER, UPPER	1	
27	51631-28000-000	NUT, STEERING STEM	1	
28	51643H40100H000	SEAL, STEERING DUST UPPER	1	
29	56240-12FH0-000	SPACER, HANDLEBAR HOLDER	2	

4

Fig. 42

Fig.42 FRONT WHEEL (P05-S410-0031)

REF. No.	PART No.	DESCRIPTION	Q' TY	REMARKS
1	54111H37200H511	WHEEL, FRONT (BLACK)	1	
2	08133-6301B-000	BALL BEARING	2	
3	54731H2A000H000	SPACER, FRONT WHEEL BRG	1	
4	54711H37200H000	AXLE, FRONT	1	
5	54741H37200H000	SPACER, FRONT AXLE, R	1	
6	54892-45F00-000	COVER, FRONT HUB DUST SEAL	2	
7	54742-45F00-000	SEAL, FRONT HUB	2	
8	08319-3112A-000	U-NUT	1	
9	54751H2A000H000	SPACER, FRONT AXLE, L	1	
10	59211H37200H815	DISC, FRONT BRAKE (SILVERY)	1	
11	59421H45HA0H000	BOLT, FRONT BRAKE DISC	5	
12	55100H37210H000	TIRE SET, FR	1	
13	43130H22500H000	VALVE ASSY, WHEEL RIM	1	



4

Fig. 43

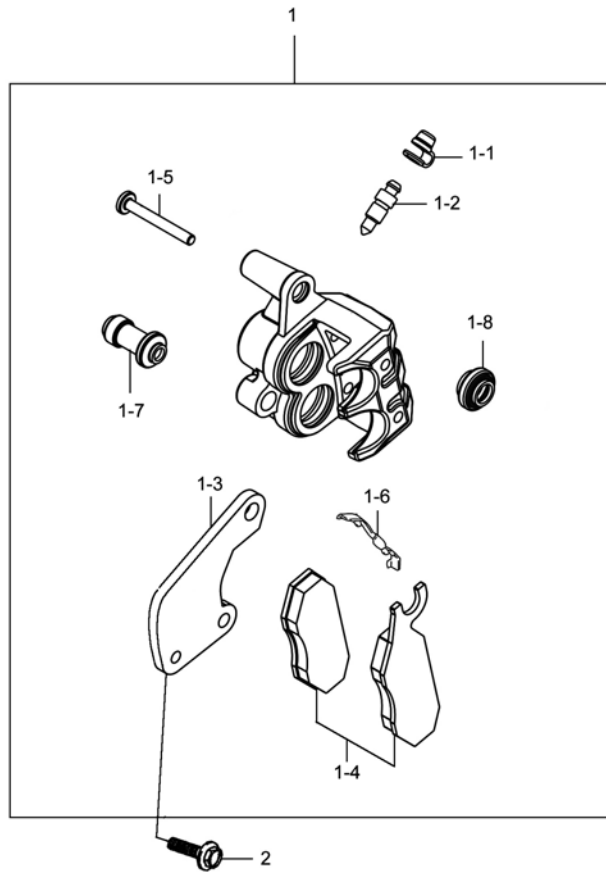


Fig.43 FRONT CALIPER (P05-S420-0013)

REF. No.	PART No.	DESCRIPTION	Q' TY	REMARKS
1	59300H37201H504	CALIPER ASSY, FRONT (BLACK)	1	
1-1	55156-66310-000	CAP	1	
1-2	59121H2A010H000	BLEEDER	1	
1-3	59351H37200H000	BRACKET FR	1	
1-4	59300H25Y10H000	CLIPERS SET	1	
1-5	69141H05530H000	PIN PAD	1	
1-6	59315-05700-000	SPRING, MAIN	1	
1-7	59313-05700-000	CAP, BUSH DUST	1	
1-8	59312-05700-000	SEAL, DUST	1	
2	01550-0830A-000	BOLTS, HEXAGON HEAD FLANGE	2	

4



Fig. 44

**Fig.44 FRONT BRAKE CYLINDER (P05-S430-0011)**

REF. No.	PART No.	DESCRIPTION	Q' TY	REMARKS
1	59064H2A032H000	CYLINDER SET, FRONT MASTER	1	
1-1	59600H2A032H000	CYLINDER ASSY, FRONT MASTER	1	
1-1-1	59667-053B0-000	DIAPHRAGM	1	
1-1-2	59668H2G120H000	PLATE, DIAPERAGM	1	
1-1-3	59669H2A010H000	CAP, RESERVOIR TANK	1	
1-1-4	59689H2G120H000	SCREW	2	
1-1-5	59671H2C100H000	HOLDER	1	
1-1-6	59675H2A000H000	BOLT	2	
1-1-7	59660H7FY00H000	PISTON & CUP SET	1	
1-1-7-1	59666-44300-000	BOOT	1	
1-2	57421H45F10H000	LEVER, BRAKE, R	1	
1-3	57321-45F20-000	SCREW, BRAKE PIVOT	1	
1-4	57433-09F00-000	NUT, BRAKE LEVER PIVOT	1	
1-5	57460-17C11-000	SWITCH ASSY, STOP	1	

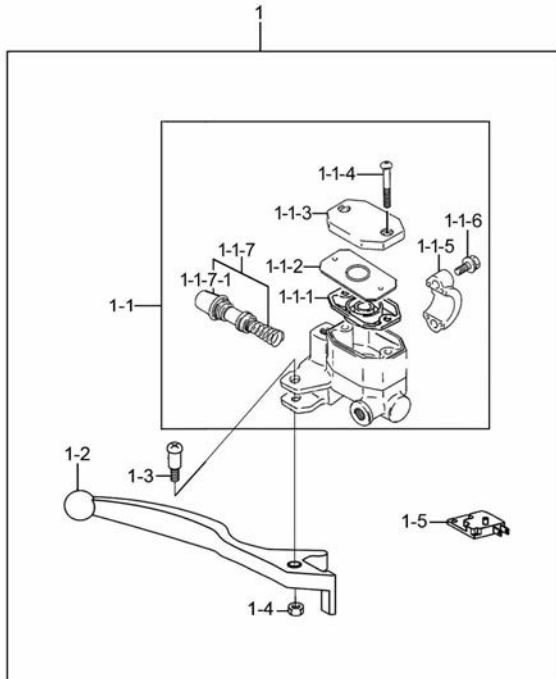
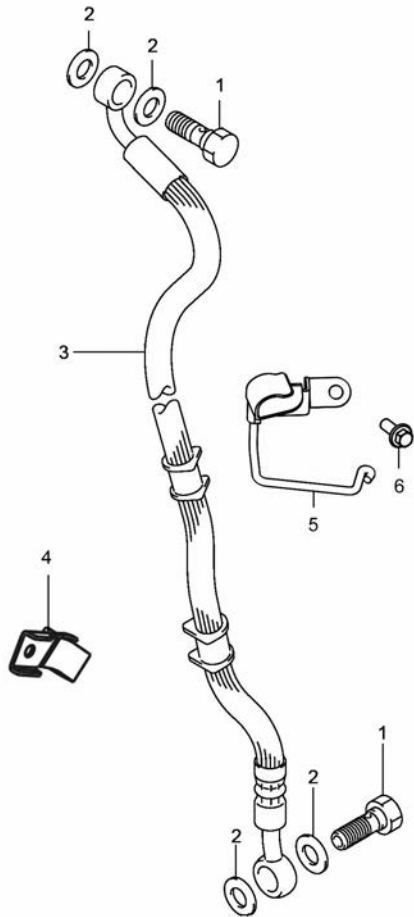


Fig. 45



**Fig.45 HOSE,FRONT BRAKE (P05-S435-0014)**

REF. No.	PART No.	DESCRIPTION	Q' TY	REMARKS
1	09360-10039-000	BOLT, BRAKE FLUID	2	
2	09161-10009-000	WASHER, BRAKE FLUID	4	
3	59480H37530H000	HOSE COMP, FRONT BRAKE	1	
4	59246H2C001H000	CLAMP, FR BRAKE HOSE	1	
5	59268H37200H000	CLAMP, BRAKE HOSE	1	
6	01550-0612A-000	BOLT	1	

4

Fig. 46

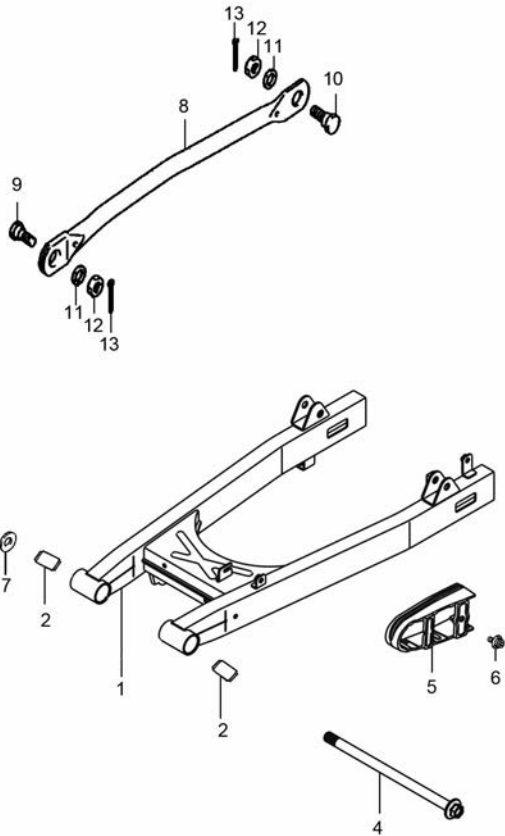


Fig.46 REAR SWINGING ARM (P05-S440-0017)

REF. No.	PART No.	DESCRIPTION	Q' TY	REMARKS
1	61100H37210H000	SWINGINGARM COMP, REAR	1	
2	61200H45F00H000	SPACER, RR SWGARM PIVOT	2	
3	08319-2114A-000	U-NUT	1	
4	61211H22500H000	PIPE, RR AXLE HSG, L	1	
5	61273H37200H000	BUFFER, CHAIN TOUCH DEFENSE	1	
6	09409-06322-000	CLIP, LEG LOWER	1	
7	09160H14007H000	WASHER, PLAIN	2	
8	64310H2G100H000	TORQUELINK COMP, REAR	1	
9	64321-29J00-000	BOLT, RR TORQUELINK FRONT	1	
10	09111-08013-000	BOLT	1	
11	09162-08008-000	LOCK WASHER, RR TORQUELINK	2	
12	09140H08001H000	NUT	2	
13	04111-2020A-000	COTTER PIN	2	

4



Fig. 47

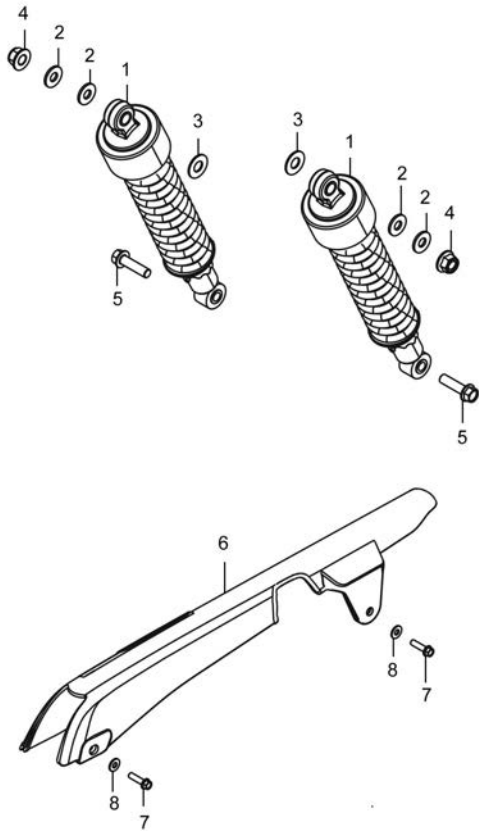


Fig.47 REARSHOCK ABSORBER (P05-S450-0015)

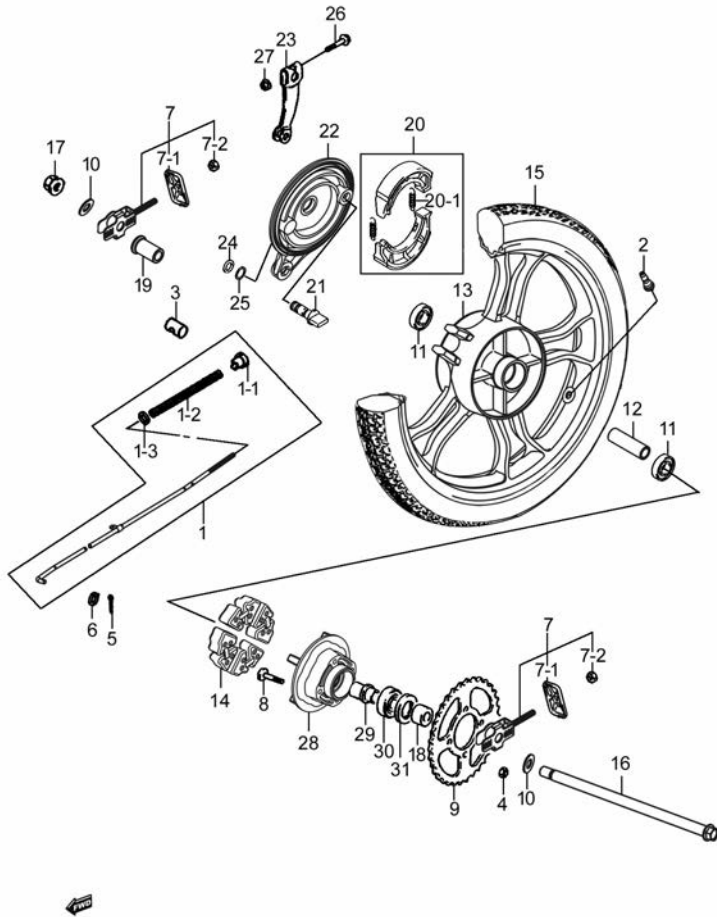
REF. No.	PART No.	DESCRIPTION	Q' TY	REMARKS
1	62100H37200HK01	ABSORBER ASSY, REAR SHOCK (K01)	2	
2	09160-10127-000	WASHER, RR SHK ABS UPPER OUTER	4	
3	09160-12090-000	WASHER, RR SHK ABS INNER	2	
4	08316-1010A-000	NUT	2	
5	09103-10019-000	BOLT, RR SHOCK ABS LOWER	2	
6	61311H37200H000	CASE, CHAIN	1	
7	01550-0612A-000	BOLT	2	
8	61315-45F00-000	WASHER, CHAIN CASE	2	

4



Fig. 48

Fig.48 REAR WHEEL (P05-S460-0033)



REF. No.	PART No.	DESCRIPTION	Q' TY	REMARKS
1	43031H37200H000	ROD SET, REAR BRAKE	1	
1-1	09150-06010-000	NUT	1	
1-2	09440H09007H000	SPRING, COMPRESSION	1	
1-3	08322-0106A-000	WASHER, PLAIN	1	
2	43130H22500H000	VALVE ASSY, WHEEL RIM	1	
3	09209-13001-000	PIN, REAR BRAKE ADJ CABLE	1	
4	08319-3108A-000	NUT	4	
5	04111-2015A-000	COTTER PIN	1	
6	08322-0106A-000	WASHER, PLAIN	1	
7	61041H37200H000	ADJUSTER SET, CHAIN	2	
7-1	61421-38200-000	PLATE, CHAIN ADJUSTER GUIDE	1	
7-2	08319-3108A-000	NUT	1	
8	09119H08002H000	BOLT	4	
9	64511H2C000H000	SPROCKET, REAR	1	
10	64712H2C000H000	WASHER, CHAIN ADJUSTER	2	
11	08144-6302B-000	BALL BEARING	2	
12	64916H37200H000	SPACER, REAR HUB	1	
13	64150H37200H511	WHEEL COMP, REAR (BLACK)	1	
14	64651H37200H000	ABSORBER, REAR HUB SHOCK	4	
15	65100H37200H000	TIRE SET, RR	1	
16	64711H37200H000	AXLE, REAR	1	
17	08319-3114A-000	U-NUT	1	
18	64751H37200H000	SPACER, REAR AXLE, L	1	
19	64741H37200H000	SPACER, REAR AXLE, R	1	
20	54400-45821-000	SHOE COMP, BRAKE	1	
20-1	55421-45F10-000	SPRING, BRAKE SHOE	2	
21	64441H37210H000	CAM, REAR BRAKE	1	
22	64210H2E020H000	PANEL COMP, REAR BRAKE	1	
23	64451H12FH0H000	LEVER, REAR BRAKE CAM	1	

Fig. 48

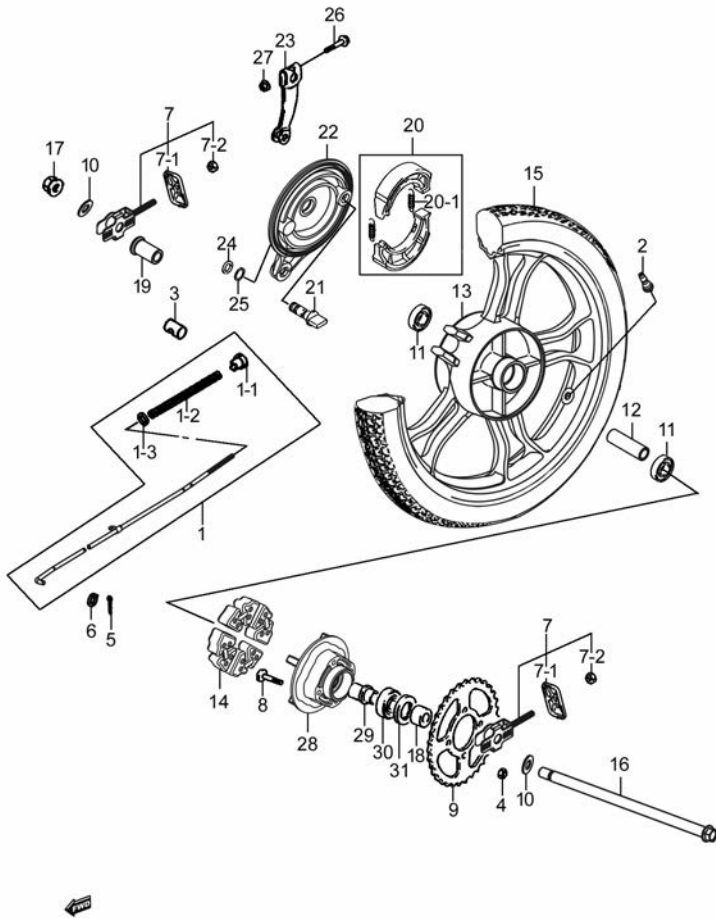


Fig.48 REAR WHEEL (P05-S460-0033)

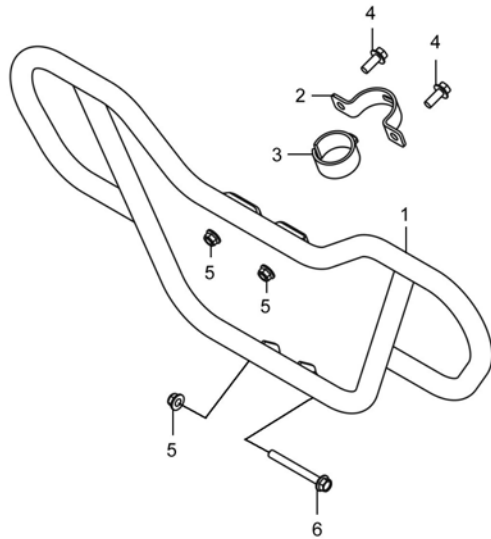
REF. No.	PART No.	DESCRIPTION	Q'TY	REMARKS
24	09160-14055-000	AJUSTING WASHER	1	
25	09280-14003-000	O-RING, REAR BRAKE CAM	1	
26	01550-0640A-000	BOLT	1	
27	08316-1006A-000	NUT	1	
28	64610H37200H000	DRUM COMP, RR SPROCKET MOUNTING	1	
29	64733H37200H000	RETAINER, REAR SPROCKET DRUM	1	
30	08113-6204B-000	BALL BEARING	1	
31	09285H28001H000	SEAL, OIL	1	

4

Fig. 49

**Fig.49 BUMPER COMP (P05-S470-0010)**

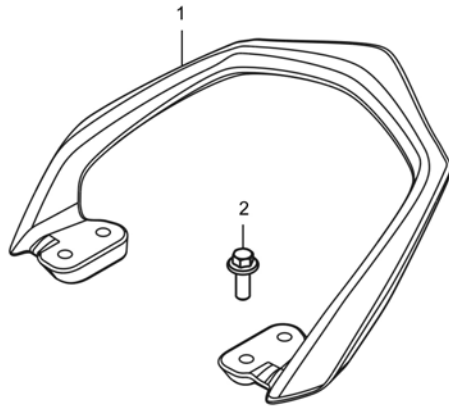
REF. No.	PART No.	DESCRIPTION	Q' TY	REMARKS
1	94210H37210H000	BUMPER COMP, FRONT	1	
2	94221H37200H000	PLATE, FRONT BUMPER UPPER FIT	1	
3	94231H37200H000	CUSHION, FRONT BUMPER	1	
4	01550-0820A-000	BOLTS, HEXAGON HEAD FLANGE	2	
5	08319-3108A-000	NUT	3	
6	01550-0875A-000	HEXAGON BOLT WITH FLANGE	1	



4



Fig. 50



**Fig.50 CARRIER (P05-S480-0021)**

REF. No.	PART No.	DESCRIPTION	Q' TY	REMARKS
1	46211H37210H815	HANDLE, PILLION RIDER (SILVERY)	1	
2	01550-0830A-000	BOLTS, HEXAGON HEAD FLANGE	4	

4



Fig. 51

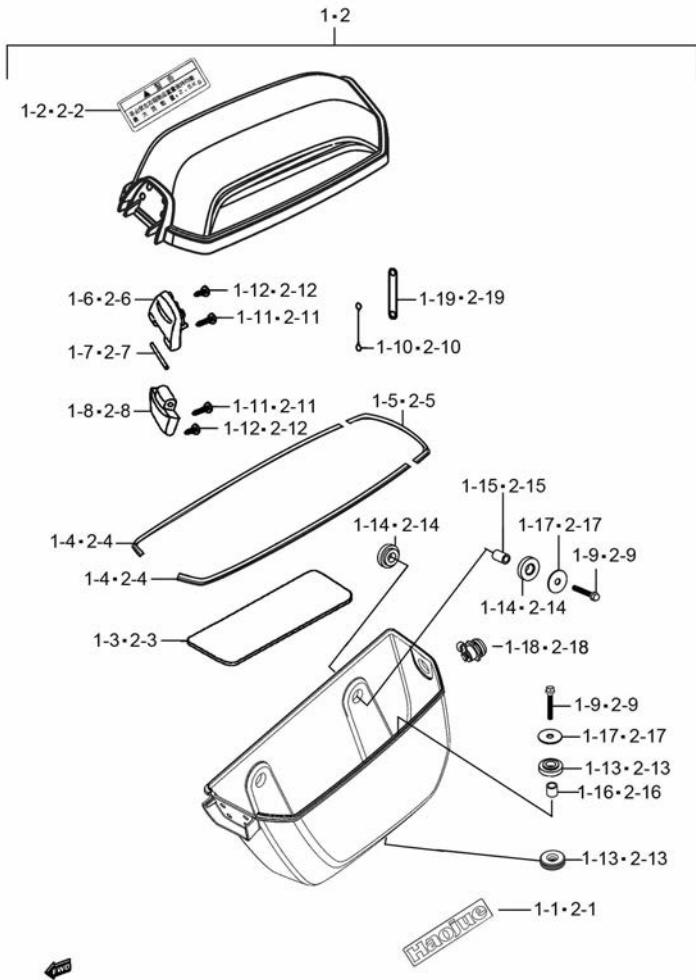


Fig.51 SIDE BOX ASSY (P05-S500-0001)

REF. No.	PART No.	DESCRIPTION	Q' TY	REMARKS
1	95500H37Y00HF04	BAG SET, SIDE, L (BLUE)	1	
1	95500H37Y00HF05	BAG SET, SIDE, L (RED/MATTE BLACK)	1	
1	95500H37Y00HF06	BAG SET, SIDE, L (PEARL BLACK/MATTE BLACK)	1	
1-1	68170H37210HSJ2	TAPE, Haojue LOGO (SJ2)	1	
1-2	68391-25H00-000	LABEL, LOADING CAPACITY	1	
1-3	93182H37200H000	MAT, SIDE BOX, L	1	
1-4	93116-25H00-000	MOLDING, SIDE BOX NO. 2	2	
1-5	93115-25H00-000	MOLDING, SIDE BOX NO. 1	1	
1-6	95443-25H00-000	HINGE, UPPER	1	
1-7	95416H12FPOH000	AXLE, HINGE	1	
1-8	95543-25H00-000	HINGE, LOWER	1	
1-9	01550-0625A-000	BOLT	4	
1-10	95420-25H00-000	STOPPER COMP, SIDE CASE	2	
1-11	03541-0520A-000	CROSS RECESSED HEAD TAPPING SCREW	4	
1-12	03541-0512A-000	CROSS RECESSED HEAD TAPPING SCREW	4	
1-13	95461-12FP0-000	CUSHION, SIDE BOX LOWER	4	
1-14	95462-12FP0-000	CUSHION	4	
1-15	95463-12FP0-000	BUSH	2	
1-16	09180-06291-000	GASKET	2	
1-17	09160-06157-000	WASHER, PLAIN	4	
1-18	95450H37201H000	LOCK ASSY, SIDE BAG	1	
1-19	95429H12FPOH000	CUSHION, SIDE BOX STOPPER	1	
2	95400H37Y00HF04	BAG SET, SIDE, R (BLUE)	1	
2	95400H37Y00HF05	BAG SET, SIDE, R (RED/MATTE BLACK)	1	
2	95400H37Y00HF06	BAG SET, SIDE, R (PEARL BLACK/MATTE BLACK)	1	

Fig. 51

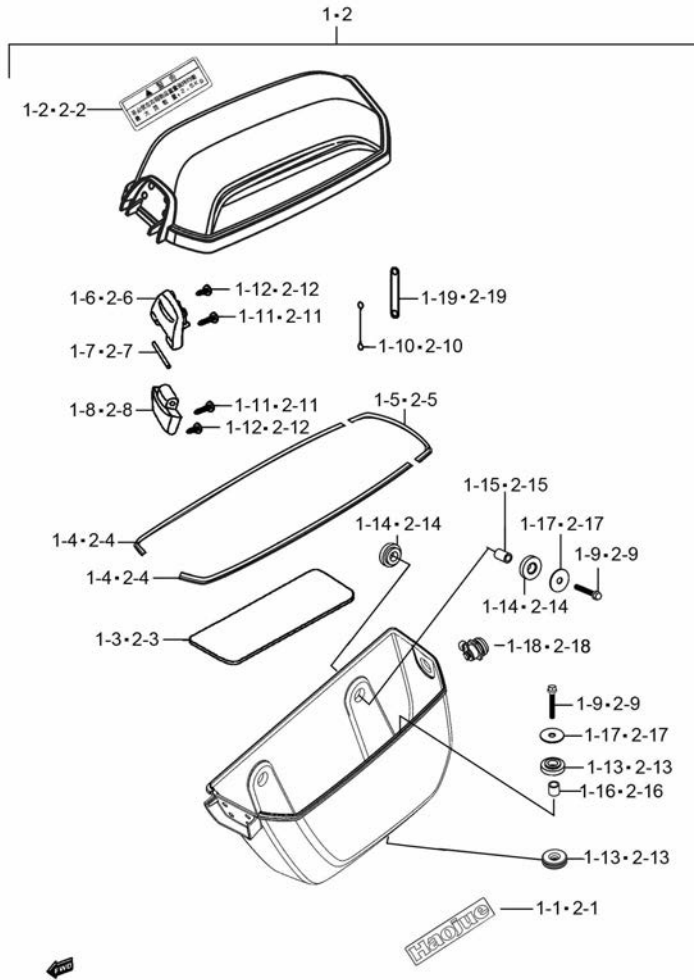


Fig.51 SIDE BOX ASSY (P05-S500-0001)

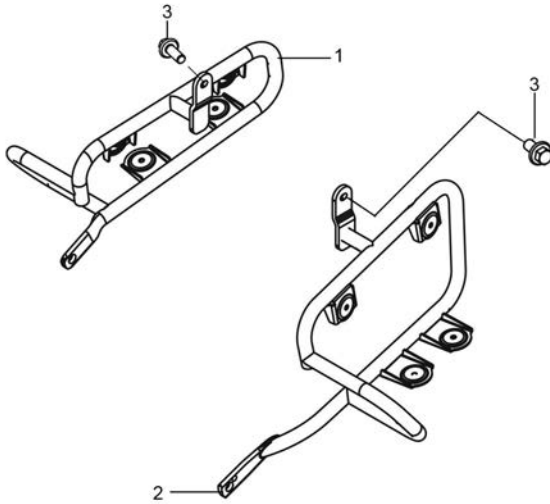
REF. No.	PART No.	DESCRIPTION	Q'TY	REMARKS
2-1	68170H37210HSJ2	TAPE, Haojie LOGO (SJ2)	1	
2-2	68391-25H00-000	LABEL, LOADING CAPACITY	1	
2-3	93181H37200H000	MAT, SIDE BOX, R	1	
2-4	93116-25H00-000	MOLDING, SIDE BOX NO. 2	2	
2-5	93115-25H00-000	MOLDING, SIDE BOX NO. 1	1	
2-6	95443-25H00-000	HINGE, UPPER	1	
2-7	95416H12FP0H000	AXLE, HINGE	1	
2-8	95543-25H00-000	HINGE, LOWER	1	
2-9	01550-0625A-000	BOLT	4	
2-10	95420-25H00-000	STOPPER COMP, SIDE CASE	2	
2-11	03541-0520A-000	CROSS RECESSED HEAD TAPPING SCREW	4	
2-12	03541-0512A-000	CROSS RECESSED HEAD TAPPING SCREW	4	
2-13	95461-12FP0-000	CUSHION, SIDE BOX LOWER	4	
2-14	95462-12FP0-000	CUSHION	4	
2-15	95463-12FP0-000	BUSH	2	
2-16	09180-06291-000	GASKET	2	
2-17	09160-06157-000	WASHER, PLAIN	4	
2-18	95450H37201H000	LOCK ASSY, SIDE BAG	1	
2-19	95429H12FP0H000	CUSHION, SIDE BOX STOPPER	1	

4

Fig. 52

**Fig.52 SIX BOX BRACKET ASSY (P05-S510-0001)**

REF. No.	PART No.	DESCRIPTION	Q' TY	REMARKS
1	94810H37200H000	BUMPER COMP, REAR SIDE, R	1	
2	94820H37200H000	BUMPER COMP, REAR SIDE, L	1	
3	01550-1020B-000	HEXAGON BOLT WITH FLANGE	2	



4





PART NO.	FIG. NO. – REF. NO.	PART NO.	FIG. NO. – REF. NO.	PART NO.	FIG. NO. – REF. NO.	PART NO.	FIG. NO. – REF. NO.
<b>00000</b>		01550-0612A-000	12-6	02112-1612B-000	34-12	07130-10357-000	41-16
		01550-0612A-000	26-12	02122-0512A-000	05-22	08110-60060-000	15-2
		01550-0612A-000	30-18	02122-0616A-000	07-7	08110-62030-000	05-13
		01550-0612A-000	37-12	02122-0630A-000	13-2	08110-63010-000	05-12
		01550-0612A-000	45-6	02122-0630B-000	39-8	08113-6204B-000	48-30
01421-0616A-000	01-17	01550-0612A-000	47-7	02142-0514B-000	30-19	08133-6301B-000	42-2
01500-0612A-000	29-8	01550-0612B-000	34-15	02142-0616B-000	32-8	08140-60030-000	07-19
01500-0616A-000	27-9	01550-0616A-000	10-2	03241-0412B-000	22-5	08144-6302B-000	48-11
01500-0620A-000	16-23	01550-0616A-000	21-8	03241-0516A-000	37-14	08211-15251-000	15-1-3
01500-0825A-000	17-6	01550-0616A-000	36-7	03241-0516A-000	40-8	08211-15301-000	15-5-14
01547-0612A-000	12-14	01550-0616A-000	36-13	03541-0512A-000	25-3	08211-20271-000	15-5-2
01547-0612A-000	03-3	01550-0620A-000	12-4	03541-0512A-000	51-1-12	08310-00067-000	16-17-4
01547-0612A-000	04-9	01550-0622A-000	14-2-1	03541-0512A-000	51-2-12	08310-0006A-000	01-19
01547-0614A-000	05-16	01550-0625A-000	39-2	03541-0516A-000	22-12	08310-0006A-000	28-23
01547-0614A-000	03-10	01550-0625A-000	51-1-9	03541-0516A-000	36-9	08310-0010A-000	24-6
01547-0616A-000	12-12	01550-0625A-000	51-2-9	03541-05203-000	10-1-5	08316-1005A-000	25-5
01547-0616A-000	21-6	01550-0640A-000	48-26	03541-0520A-000	51-1-11	08316-1006A-000	21-3
01547-0620A-000	08-8	01550-0816A-000	29-12	03541-0520A-000	51-2-11	08316-1006A-000	31-10
01547-0620A-000	01-5	01550-0820A-000	49-4	04111-1614A-000	29-5-4	08316-1006A-000	33-7
01547-0620A-000	04-21	01550-0825B-000	29-5-11	04111-1614A-000	29-6-4	08316-1006A-000	36-14
01547-0622B-000	35-5-10	01550-0825B-000	29-6-11	04111-2015A-000	28-17	08316-1006A-000	48-27
01547-0625A-000	19-3	01550-0825B-000	29-10	04111-2015A-000	48-5	08316-1010A-000	47-4
01547-0625A-000	33-2	01550-0830A-000	43-2	04111-2020A-000	46-13	08316-1012A-000	05-18
01547-0628A-000	04-4	01550-0830A-000	50-2	04111-2520A-000	29-1-5	08319-2114A-000	46-3
01547-0630A-000	18-2	01550-0875A-000	49-6	04111-2520A-000	29-2-5	08319-3108A-000	01-21
01547-0635A-000	33-3	01550-1020B-000	52-3	04111-2525A-000	28-3	08319-3108A-000	03-20
01547-0635A-000	04-24	01550-1045B-000	11-13	04221-04109-000	16-9	08319-3108A-000	27-5
01547-0640A-000	04-5	01560-1025A-000	29-3	06111-08004-000	29-1-6	08319-3108A-000	48-4
01547-0645A-000	04-6	02112-0410A-000	35-5-8	06111-08004-000	29-2-6	08319-3108A-000	48-7-2
01547-0650A-000	03-5	02112-0418A-000	16-21	07130-0512A-000	22-8	08319-3108A-000	49-5
01547-0650A-000	04-13	02112-0514A-000	29-1-4	07130-0610A-000	15-11	08319-3110A-000	03-21
01547-0660A-000	03-6	02112-0514A-000	29-2-4	07130-0825A-000	11-18	08319-3110A-000	28-9
01547-0665A-000	03-22	02112-1408A-000	31-5	07130-0825A-000	22-9	08319-3112A-000	41-15
01547-0670A-000	04-14	02112-1516A-000	10-1-9	07130-0830A-000	41-10	08319-3112A-000	42-8
01550-0612A-000	10-6	02112-1520A-000	21-10	07130-0835A-000	41-18	08319-3114A-000	48-17

**5**

PART NO.	FIG. NO. – REF. NO.	PART NO.	FIG. NO. – REF. NO.	PART NO.	FIG. NO. – REF. NO.	PART NO.	FIG. NO. – REF. NO.
08322-0106A-000	28-16	09136H04003H000	30-10-2	09160H14007H000	46-7	09181H20001H000	17-1-6
08322-0106A-000	48-1-3	09136H04003H000	30-11-2	09160H16004H000	05-24	09181H20270H000	15-1-10
08322-0106A-000	48-6	09136H06002H000	37-7	09160H17001H000	28-12	09181H25002H000	05-9-7
08331-31129-000	16-15-6	09136H06002H000	40-5	09161-10009-000	45-2	09200-08057-000	29-1-8
08331-3112A-000	16-18	09136H06003H000	21-11	09161H06004H000	11-10	09200-08057-000	29-2-8
08331-31149-000	16-15-3	09139-06048-000	26-9	09162-08008-000	46-11	09200H06006H000	28-15
08331-3115A-000	17-5-3	09139-06091-000	11-9	09164H13001H000	05-10	09202H05004H000	05-9-4
08331-3117A-000	28-13	09139H05003H000	30-21	09166H18001H000	05-28	09205H03001H000	04-29
08331-31209-000	15-1-5	09139H06006H000	11-3	09168-06023-000	01-6	09206H08002H000	04-23
08331-31209-000	15-5-8	09139H06007H000	34-3	09168H06002H000	11-7	09206H08004H000	04-3
08361-3506A-000	21-2	09139H06008H000	39-5	09168H06026H000	31-3	09206H10007H000	02-4
09100-06026-000	03-13	09140-06011-000	16-17-2	09168H12002H000	04-16	09206H10007H000	03-1-1
09100H05004H000	19-2	09140H08001H000	46-12	09169-06065-000	27-10	09206H10007H000	04-12
09100H06003H000	07-16	09148-05077-000	37-15	09180-06067-000	30-6	09206H10008H000	01-9
09100H06022H000	16-14	09148-05077-000	40-9	09180-06263-000	37-9	09209-13001-000	48-3
09103-10019-000	47-5	09148-05L01-000	23-3	09180-06263-000	40-6	09229H03003H000	27-13
09103H08010H000	03-18	09150-06010-000	48-1-1	09180-06291-000	51-1-16	09247-12104-000	04-15
09103H08010H000	27-7	09159H10004H000	11-16	09180-06291-000	51-2-16	09247H12001H000	03-23
09103H08013H000	01-20	09160-04022-000	22-4	09180H06022H000	33-4	09250-08010-000	41-17
09103H08013H000	27-4	09160-06013-000	29-9	09180H06022H000	39-1-4	09250H10001H000	41-20
09103H10003H000	03-19	09160-06039-000	32-7	09180H06336H000	11-5	09259-26023-000	04-17
09111-06066-000	22-2	09160-06088-000	33-6	09180H06336H000	32-6	09262H15035H000	15-3
09111-06066-000	36-5	09160-06157-000	51-1-17	09180H08024H000	29-5-6	09262H17001H000	14-8
09111-08013-000	46-10	09160-06157-000	51-2-17	09180H08024H000	29-6-6	09262H20017H000	15-7
09111H06007H000	10-7	09160-06164-000	11-4	09180H08025H000	29-5-7	09262H35005H000	05-6
09111H06010H000	30-12	09160-10102-000	11-12	09180H08025H000	29-6-7	09263H15002H000	15-8
09116-06084-000	30-5	09160-10127-000	47-2	09180H16002H000	05-17	09263H23000H000	16-11
09119H08002H000	48-8	09160-12090-000	47-3	09180H30001H000	15-4	09280-14003-000	48-25
09128-06006-000	31-2	09160-14055-000	48-24	09181-35108-000	05-7	09280-22008-000	04-18
09128H06001H000	16-10	09160H06005H000	21-4	09181H12002H000	05-19	09280H11001H000	17-4
09128H06006H000	01-8	09160H08003H000	01-12	09181H12003H000	07-18	09280H18002H000	04-26
09128H06010H000	08-6-1	09160H08011H000	08-3	09181H12004H000	17-1-12	09280H19001H000	16-22
09135H08004H000	08-2	09160H08018H000	29-5-10	09181H16200H000	16-15-2	09280H34002H000	01-18
09135H12001H000	17-3	09160H08018H000	29-6-10	09181H17001H000	07-10	09280H35000H000	13-3
09136-05051-000	23-2	09160H12012H000	16-19	09181H17240H000	15-5-10	09280H35001H000	03-16

PART NO.	FIG. NO. – REF. NO.	PART NO.	FIG. NO. – REF. NO.	PART NO.	FIG. NO. – REF. NO.	PART NO.	FIG. NO. – REF. NO.
09280H50003H000	01-14	09401-15404-000	12-15	09491H22002H000	09-1-10	12151H3E000H000	05-3
09280H63001H000	04-20	09401H07201H000	12-9	09494H12900H000	09-1-26	12200H3E010H000	05-5
09280H75001H000	01-3	09401H08302H000	31-8	09800H20015H000	36-10	12511H3C000H000	04-8
09283H10002H000	07-1	09401H13002H000	10-3			12543H36010H000	03-8
09283H14001H000	16-16	09401H13201H000	10-1-7			12545H36010H000	03-7
09283H16001H000	17-2	09401H15201H000	12-2	<b>10000</b>		12620H36010H000	06-1
09283H20007H000	15-6	09401H15202H000	10-4			12623H3E020H000	06-2
09285H28001H000	48-31	09404-06038-000	26-5			12651H36000H000	06-5
09320-08047-000	33-5	09407-12402-000	26-3			12651H3E000H000	05-14
09320-08047-000	37-8	09407-14403-000	26-2			12659H3C000H000	05-15
09320-08047-000	39-1-5	09407-25401-000	26-6	11110H3E0A0H000	01-1	12659H3C000H000	03-12
09320-08047-000	40-7	09409-06322-000	46-6	11121H3F000H000	01-2	12661H3D000H000	05-8
09320-08513-000	30-15	09420H04002H000	05-5-1	11123H3F010H000	01-4	12670H3E000H000	05-9
09320-08513-000	32-3	09421H04001H000	05-11	11141H3F000H000	01-10	12679H3E000H000	05-9-1
09320-08513-000	37-13	09421H04003H000	05-29	11142H35000H000	08-6-2	12681H36000H000	06-3
09320-08513-000	40-10	09440-05003-000	17-5-2	11165H35010H000	01-11	12683H36000H000	06-4
09320-09016-000	30-10-3	09440H04030H000	16-6	11167H12000H000	01-7	12686-26H00-000	05-9-2
09320-09016-000	30-11-3	09440H07002H000	03-9	11175H3F000H000	01-13	12691H36000H000	06-6
09320-09016-000	37-11	09440H09001H000	05-9-3	11210H3E030H0B0	02-1	12710H3D021H000	07-2
09320H08005H000	27-11	09440H09007H000	48-1-2	11241H3E000H000	02-5	12741H35010H000	07-15
09320H10023H000	11-6	09440H15002H000	16-15-5	11243H35000H000	02-2	12760H35030H000	08-5
09320H10023H000	32-4	09443-18002-000	28-4	11244H35000H000	02-3	12771H35000H000	08-4
09320H11001H000	29-5-8	09443H14004H000	28-19	11300H3CY21H000	03-1	12811H3F000H000	08-1
09320H11001H000	29-6-8	09448H15001H000	04-28	11340H37200H000	04-1	12830H36Y00H000	08-6
09320H11002H000	29-5-9	09448H22001H000	07-17	11351H37200H000	04-10	12837H3E000H000	08-7
09320H11002H000	29-6-9	09448H48003H000	17-1-2	11361H3E010H000	04-22	12840H3D000H000	07-3
09329-10001-000	36-8	09471-12081-000	23-1-4	11421H3C010H000	04-7	12842H3D000H000	07-3-1
09329-10001-000	39-6-5	09471-12081-000	25-2-2	11441H37200H000	04-19	12852H33000H000	07-3-2
09360-10039-000	45-1	09471H12001H000	23-1-3	11481H3E000H000	03-4	12861H3D000H000	07-4
09380H15001H000	17-1-11	09471H12019H000	24-1-2	11482H3E000H000	04-2	12862H35022H000	07-6
09380H19001H000	17-1-9	09471H12019H000	24-2-2	11483H3E000H000	04-11	12871H3D000H000	07-5
09380H24001H000	05-9-5	09471H12019H000	24-3-2	11522H33000H000	03-24	12911H3E002H000	07-8
09380H24002H000	05-9-6	09471H12019H000	24-4-2	11971H37200H000	04-25	12912H3E010H000	07-9
09381H14001H000	05-4	09481-15001-000	26-1-1	12111H3E010H0B0	05-1	12921H3F000H000	07-12
09401-09101-000	31-7	09482-00399-000	01-15	12140H3E020H000	05-2	12922H3F000H000	07-11

PART NO.	FIG. NO. – REF. NO.	PART NO.	FIG. NO. – REF. NO.	PART NO.	FIG. NO. – REF. NO.	PART NO.	FIG. NO. – REF. NO.
12931H3E000H000	07-13	13700H37200H000	10-1	18463H37201H000	12-8	24231H3E000H000	15-1-8
12932H50100H000	07-14	13723H37200H000	10-1-11	18610H37200H000	12-5	24232H33000H000	15-1-6
13110H37200H000	01-16	13724H37200H000	10-1-3	18710H37200H000	12-1	24232H33000H000	15-5-7
13200H37220H000	09-1	13741H37200H000	10-1-4			24241H3E010H000	15-1-7
13224H2A000H000	09-1-29	13780H37200H000	10-1-1			24251H3E010H000	15-1-4
13225H11200H000	09-1-19	13851H37200H000	10-5	<b>20000</b>		24311H3E000H000	15-5-11
13242H11240H000	09-1-9	13863H22500H000	10-1-8			24314H35000H000	15-5-12
13245H11200H000	09-1-8	13884H22510H000	10-1-2			24321H3E000H000	15-5-3
13247H11200H000	09-1-27	13891H37200H000	10-1-6			24322H3E000H000	15-5-4
13247H33000H000	09-1-14	14181H11200H000	11-19			24331H3E010H000	15-5-9
13251H11200H000	09-1-4	14305H37220H000	11-1	21111H3D010H000	05-25	24341H3E000H000	15-5-6
13251H11A10H000	09-1-11	14413-25H00-000	11-14	21112H3D010H000	05-26	24351H3E010H000	15-5-5
13252H33000H000	09-1-12	14414H2C000H000	11-15	21114H3E000H000	05-27	24741H36000H000	03-11
13253H11210H000	09-1-28	14414H37200H000	11-17	21200H3E001H000	14-1	25211H3E010H000	16-1
13253H33000H000	09-1-15	14781H37200H000	11-11	21346H33000H000	14-4	25231H3E010H000	16-2
13254H21D00H000	09-1-22	14791H37200H000	11-8	21346H3E000H000	05-23	25241H3E010H000	16-3
13255H11200H000	09-1-1	14792H37200H000	11-2	21410H3E050H000	14-2	25311H3E010H000	16-5
13257H11200H000	09-1-17	16052H3D000H000	05-20	21411H3E000H000	14-2-7	25314H3E000H000	16-7
13258H11210H000	09-1-20	16400H3D000H000	13-1	21413H3D000H000	14-2-3	25350H3E010H000	16-12
13258H2C010H000	09-1-33	16514H3D000H000	05-20-1	21441H33020H000	14-2-5	25351H3E010H000	16-13
13262H11200H000	09-1-13	16520H21D01H000	03-14	21451H3E020H000	14-2-6	25381H3E020H000	16-8
13263H11200H000	09-1-23	16520H33000H000	05-20-2	21462H3E000H000	14-2-4	25411H3E000H000	16-4
13267H33000H000	09-1-5	16521H33000H000	05-20-2-2	21471H35000H000	14-2-2	25500H3E030H000	16-15
13268H33000H000	09-1-6	16531H33000H000	05-20-2-4	21481H33000H000	14-3	25510H3E030H000	16-15-1
13278H12900H000	09-1-24	16532H33000H000	05-20-2-1	23121H3D000H000	14-7	25518H3E000H000	16-15-4
13279H36900H000	09-1-7	16541H33001H000	03-15	23131H3D000H000	14-6	25520H05520H000	16-17-5
13285H2C010H000	09-1-32	16542H36000H000	03-17	23270H3D020H000	04-27	25525H37210H000	16-17-3
13295H21D00H000	09-1-18	16551H33000H000	05-20-2-3	23285H35000H000	04-30	25600H37210H000	16-17
13370H21D00H000	09-1-21	16561H3E000H000	05-21	24102H3E040H000	15-1	25610H37210H000	16-17-1
13383H2C020H000	09-1-3	16581H33000H000	14-5	24103H3E061H000	15-5	25617H2A201H000	16-24
13432H33000H000	09-1-16	18410H37200H000	12-10	24121H3D010H000	15-1-1	25652-49000-000	16-17-1-1
13480H2C010H000	09-1-31	18441H3E000H000	12-13	24122H3E000H000	15-1-11	26210H3E000H000	17-1
13573H11A10H000	09-1-2	18442H37200H000	12-11	24131H3D001H000	15-5-1	26211H3E000H000	17-1-4
13683H2C030H000	09-1-30	18450H36H20H000	12-3	24201H3E020H000	15-1-9	26221H35000H000	17-1-1
13684H30110H000	09-1-25	18461H37201H000	12-7	24221H3E010H000	15-1-2	26222H35000H000	17-1-3

PART NO.	FIG. NO. – REF. NO.	PART NO.	FIG. NO. – REF. NO.	PART NO.	FIG. NO. – REF. NO.	PART NO.	FIG. NO. – REF. NO.
26225H35000H000	17-1-10	32115H35000H000	03-2	35151-48H00-000	37-10	38500H2C000H000	26-11
26226H36000H000	17-1-8	32800H05523H000	21-5	35157H22501H000	36-6	38610H11222H000	24-7
26241H35000H000	17-1-5	32900H37210H000	21-7	35157H37200H000	10-1-10		
26251H35000H000	17-1-7	33410H37201H000	21-9	35171H37200H000	23-1-2		
26261H3E000H000	15-5-15	33414H37200H000	21-12	35174H22510H000	23-1-5		
26263H35000H000	15-5-13	33510-04H10-000	21-9-1	35181-45F10-000	23-4	<b>40000</b>	
26300H2A010H000	17-5	33541H2M100H000	21-9-2	35181H37200H000	37-16		
26352-01000-000	17-5-1	33542H05500H000	21-9-3	35601H37200H000	24-1		
26360H37200H000	29-11	33620H2C000H000	20-1	35602H37200H000	24-2		
27511H36020H000	15-9	33651-12FH0-000	20-5	35603H37200H000	24-3		
27521H33010H000	15-10	33652-25H00-000	20-3	35604H37200H000	24-4	41100H37Y50H000	27-1
27600H3D000H126	15-12	33652-38000-000	20-2	35610H37200H000	24-1-1	41560H37200H000	27-8
27620H3D000H000	15-12-1	33810H3F020H000	18-1-2	35610H37200H000	24-4-1	41711H37500H000	29-5-12
		33860H37200H000	20-6	35616H11A01H000	24-5	41721H37500H000	29-6-12
		34100H37200H000	22-1	35630H37200H000	24-2-1	41970H37200H000	27-2
<b>30000</b>		34113H37200H000	22-1-1	35630H37200H000	24-3-1	41980H37200H000	27-3
		34114H37200H000	22-1-3	35710H37200H000	25-1	41990H37200H000	27-6
		34124H37200H000	22-3-5	35910H37202H000	25-2	42100H37200H000	28-1
		34137H37200H000	22-1-6	35918H37200H000	25-2-1	42181H50002H000	28-5
		34147H37200H000	22-1-7	35927H40000H000	36-12	42211H37200H000	28-2
31100H3F020H000	18-1	34152H37200H000	22-1-2	35950H2F000H000	41-1-4	42241-26H10-000	28-7
31133H22500H000	18-1-1-1	34187H37200H000	22-1-5	35950H2F000H000	41-2-4	42310H37200H000	28-6
31135H22500H000	18-1-1-2	34188H37200H000	22-1-4	35950H2J060H000	25-6	42341-36H00-000	28-8
31153H22500H000	18-1-3	34300H37200H000	22-3	35970H2F000H000	25-4	43031H37200H000	48-1
31156H22500H000	18-1-4	34311H37200H000	22-3-2	36610H37202H000	26-1	43110H37200H000	28-10
31156H22510H000	18-1-5	34313H37200H000	22-3-4	36618H79201H000	26-7	43115H36600H000	28-21
31156H22520H000	18-1-7	34350H37200H000	22-3-1	36651-12F10-000	26-4	43116H22500H000	28-11
31175H22500H000	18-1-1	34351H37200H000	22-3-3	36651H12500H000	21-13	43125H7H000H000	28-24
31281H22500H000	18-1-6	34810H37200H000	31-9	37011H3720AH000	26-13	43130H22500H000	42-13
31800H37200H000	21-1	34981-26H00-000	22-7	37100H37200H000	26-8	43130H22500H000	48-2
32100H2C010H000	19-1	34990H2A410H000	22-11	37200H37220H000	35-1	43130H37200H000	28-14
32101H2C000H000	19-1-1	34997H22500H000	22-10	37400H37211H000	35-2	43140H37200H000	28-18
32102H2C010H000	19-1-2	35100H37201H000	23-1	37571H05503H000	35-2-1	43142H21302H000	28-20
32111H33000H000	19-5	35111H37200H000	23-5	37720H3E001H000	16-20	43159-45F00-000	28-22
32113H35000H000	19-4	35121H37200H000	23-1-1	37740H37200H000	26-10	43501H37501H000	29-5

**5**

PART NO.	FIG. NO. – REF. NO.	PART NO.	FIG. NO. – REF. NO.	PART NO.	FIG. NO. – REF. NO.	PART NO.	FIG. NO. – REF. NO.
43502H37501H000	29-6	44281H37202H000	30-11-1	47435H37200H000	36-11	51643H40100H000	41-28
43510H37500H000	29-5-5	44300H37200H000	31-1	48291-32GH0-000	30-23	51644-12C00-000	41-19
43520H37500H000	29-6-5	44352H37200H000	31-4			51811H37200H511	37-1
43529-12FH0-000	29-5-3	44421H37200H000	31-6			51821H37200H827	37-4
43529-12FH0-000	29-6-3	44423H37201H000	30-25			51831H37200H827	37-2
43546-38B01-000	29-5-2	44542-36H10-000	30-7			51841H37200H827	37-3
43546-38B01-000	29-6-2	44542-38300-000	30-4			53111H37200HA10	33-1
43550-45F00-000	29-1-2	45100H37200H000	39-1	<b>50000</b>		53111H37200HA42	33-1
43550-45F00-000	29-2-2	45148-20G00-000	39-6-2			53111H37200HA43	33-1
43550H37501H000	29-5-1	45148-33G00-000	39-1-6			54111H37200H511	42-1
43560H37501H000	29-6-1	45148H52100H000	39-6-4		51103H37201H000	41-1	54400-45821-000
43570H37500H000	29-7	45149H05500H000	39-1-3	51104H37201H000	41-2	54711H37200H000	42-4
43600H33D00H000	29-1	45149H22500H000	39-1-2	51153H37200H000	41-1-1	54731H2A000H000	42-3
43613-45F00-000	29-1-7	45150H22500H000	39-6-3	51153H37200H000	41-2-1	54741H37200H000	42-5
43613-45F00-000	29-2-7	45160H37200H000	39-1-1	51156H37200H000	41-1-2	54742-45F00-000	42-7
43614H33D00H000	29-1-3	45160H37210H000	39-6-1	51156H37200H000	41-2-2	54751H2A000H000	42-9
43614H33D00H000	29-2-3	45220H2A000H000	39-7	51173H37200H000	41-1-3	54892-45F00-000	42-6
43621H33D00H000	29-1-1	45280H37200H000	39-3	51173H37200H000	41-2-3	55100H37210H000	42-12
43621H33D00H000	29-2-1	45300H37200H000	39-6	51226-12FH0-000	41-12	55156-66310-000	43-1-1
43642H22510H000	29-4	45511H37200H123	40-1	51227-25H00-000	41-11	55421-45F10-000	48-20-1
43700H33D00H000	29-2	45511H37200H501	40-1	51311H37200H000	41-3	56111H37210H000	34-1
44017H3720AH827	30-10	45511H37200H612	40-1	51351H37200H000	41-4	56171H37201H000	34-2
44018H3720CH827	30-11	45541H37200H827	40-3	51354-12FH0-000	41-13	56211H33D00H000	41-8
44110H37210H123	30-1	45542H37200H827	40-4	51356-12FH0-000	41-5	56221-12FH0-000	41-9
44110H37210H501	30-1	45571H37200H123	40-2	51410H37202H000	41-6	56240-12FH0-000	41-29
44110H37210H612	30-1	45571H37200H501	40-2	51520H37201H000	41-21	56245-12FH0-000	41-14
44174H37200HN00	30-16	45571H37200H612	40-2	51610-12FH0-000	41-22	56270H37220H000	34-4
44184H37200HN00	30-17	46211H37210H815	50-1	51611H22500H000	27-1-1	56500H37230H000	34-5
44185H37200H000	30-20	47111H37200HA10	32-1	51611H22500H000	41-23	56600H37230H000	34-6
44200H37211H000	30-2	47111H37200HA42	32-1	51612H22500H000	27-1-2	57110-28G10-000	35-3
44256H12600H000	30-24	47111H37200HA43	32-1	51612H22500H000	41-24	57211-45FB0-000	35-4
44256H22500H000	34-16	47211H37200HA10	32-2	51620-12FH0-000	41-25	57321-45F20-000	44-1-3
44259H37200H000	30-14	47211H37200HA42	32-2	51621H22500H000	41-26	57421H45F10H000	44-1-2
44271H37201H000	30-10-1	47211H37200HA43	32-2	51622H22500H000	41-7	57431-45C01-000	35-5-5
44281-12FH0-000	30-3	47312H02100H000	32-5	51631-28000-000	41-27	57433-09F00-000	44-1-4

PART NO.	FIG. NO. – REF. NO.	PART NO.	FIG. NO. – REF. NO.	PART NO.	FIG. NO. – REF. NO.	PART NO.	FIG. NO. – REF. NO.
57441-053B0-000	35-5-3	59669H2A010H000	44-1-1-3	64712H2C000H000	48-10	94491H37200H123	37-5
57442-053B0-000	35-5-4	59671H2C100H000	44-1-1-5	64733H37200H000	48-29	94491H37200H501	37-5
57460-17C11-000	44-1-5	59675H2A000H000	44-1-1-6	64741H37200H000	48-19	94491H37200H612	37-5
57500H053E0H000	35-5	59689H2G120H000	44-1-1-4	64751H37200H000	48-18	94632H37200H000	22-6
57511-053B0-000	35-5-2			64916H37200H000	48-12	94810H37200H000	52-1
57512-45F00-000	35-5-9	<b>60000</b>		65100H37200H000	48-15	94820H37200H000	52-2
57518H2C100H000	35-5-6		68113H37200H000	30-8	94839-45F00-000	20-4	
57560-28G11-000	35-5-7		68123H37200H000	30-9	95400H37Y00HF04	51-2	
57621H053C0H000	35-5-1		68130H37210HSM8	32-9	95400H37Y00HF05	51-2	
57661-05300-000	35-6		68130H37210HSN2	32-9	95400H37Y00HF06	51-2	
58200H37210H000	34-7	61041H37200H000	48-7	68170H37201HSJ2	37-17	95416H12FP0H000	51-1-7
58300H37210H000	34-8	61100H37210H000	46-1	68170H37210HSJ2	51-1-1	95416H12FP0H000	51-2-7
58410H37210H000	34-9	61200H45F00H000	46-2	68170H37210HSJ2	51-2-1	95420-25H00-000	51-1-10
58620H37200H000	34-10	61211H22500H000	46-4	68311H56110H000	27-12	95420-25H00-000	51-2-10
58620H37220H000	34-14	61273H37200H000	46-5	68319H22510H000	38-1	95429H12FP0H000	51-1-19
58620H37230H000	34-13	61311H37200H000	47-6	68332H37210H000	38-3	95429H12FP0H000	51-2-19
58630H37200H000	34-11	61315-45F00-000	47-8	68391-25H00-000	51-1-2	95443-25H00-000	51-1-6
59064H2A032H000	44-1	61421-38200-000	48-7-1	68391-25H00-000	51-2-2	95443-25H00-000	51-2-6
59121H2A010H000	43-1-2	62100H37200HK01	47-1	68391H37200H000	38-4	95450H37201H000	51-1-18
59211H37200H815	42-10	62478H22500H000	30-13	69141H05530H000	43-1-5	95450H37201H000	51-2-18
59246H2C001H000	45-4	62478H37200H000	30-22	<b>90000</b>		95461-12FP0-000	51-1-13
59268H37200H000	45-5	63111H37200H000	36-2		95461-12FP0-000	51-2-13	
59300H25Y10H000	43-1-4	63112H37201H000	36-1		95462-12FP0-000	51-1-14	
59300H37201H504	43-1	63121H37200H000	36-3		95462-12FP0-000	51-2-14	
59312-05700-000	43-1-8	63151H37200H000	36-4		95463-12FP0-000	51-1-15	
59313-05700-000	43-1-7	64150H37200H511	48-13	93115-25H00-000	51-1-5	95463-12FP0-000	51-2-15
59315-05700-000	43-1-6	64210H2E020H000	48-22	93115-25H00-000	51-2-5	95500H37Y00HF04	51-1
59351H37200H000	43-1-3	64310H2G100H000	46-8	93116-25H00-000	51-1-4	95500H37Y00HF05	51-1
59421H45HA0H000	42-11	64321-29J00-000	46-9	93116-25H00-000	51-2-4	95500H37Y00HF06	51-1
59480H37530H000	45-3	64441H37210H000	48-21	93181H37200H000	51-2-3	95543-25H00-000	51-1-8
59600H2A032H000	44-1-1	64451H12FH0H000	48-23	93182H37200H000	51-1-3	95543-25H00-000	51-2-8
59660H7FY00H000	44-1-1-7	64511H2C000H000	48-9	94210H37210H000	49-1	95700H2A000H000	39-4
59666-44300-000	44-1-1-7-1	64610H37200H000	48-28	94221H37200H000	49-2	99011H37221H000	38-2
59667-053B0-000	44-1-1-1	64651H37200H000	48-14	94231H37200H000	49-3		
59668H2G120H000	44-1-1-2	64711H37200H000	48-16	94475H37200HN00	37-6		

**5**

# Haojue TR150S PARTS CATALOGUE

---

1st Edition

Published in 2022.10

## DACHANGJIANG GROUP CO.,LTD.

No.5, Jiandabei Rd., Jiangmen City, Guangdong Province, P.R.China

Tel: 86-750-3288999 Fax: 86-750-3230989 Code: 529000

---

DACHANGJIANG GROUP COPYRIGHT POSSESSION.



DACHANGJIANG GROUP CO. , LTD.