

Haojue

PARTS CATALOGUE

TR300

PREFACE

This catalogue lists the spare parts used for the following model. Please do refer to the parts catalogue and indicate the parts number and the name listed in this catalogue correctly when you need to replace the spare parts.

Design Code	Factory Reference No. (Abbr. form in the catalogue)	Engine Reference No.	Engine Cad No.
TR300	FJ3A53A22F-XXE01	EJ53A11-E01	10092H53011H000

一、 How to place an order for spare parts?

1. Required document:

The number must be provided as follow when order the spare parts:

- (a) The Engine parts: parts number and the Engine number
- (b) The Body parts: parts number and the Frame number

2. Revision

The Revised Version would be published at a suitable time when the parts Catalogue needed to be revised or renewed. In this case, the edition number would be marked on the cover. The parts would have some difference because our products are improved continuously and the modified parts no. will not be informed before the new edition published.

二、 How to use the parts catalogue?

1. Size

The unit of the parts' size indicated in the catalogue is 'mm', for example:

Parts name	Description
Bolt 6×12	Diameter 6mm, Length 12mm

O Ring D: 3.0, ID: 29.5	Section diameter 3mm, inner diameter 29.5mm
Bearing 35×72×17	Inner diameter 35mm, Outer diameter 72mm, Thickness 17mm

2. Abbr.

The meaning of the Abbreviations in the catalogue are as the followings:

D: Section diameter NT: Number of Teeth L: Length ID: Inner diameter W: Width

OPT: Optional T: Thickness OD: Outer diameter OS: Over size

STD: Standard US: Under size LH: Left hand side RH: Right hand side

3. Assy and the inner parts

The part number with a hyphen '-' in the front means this part could be supplied with the Assy (or the comp.), also could be supplied seperately.

For example:

Item 1 CYLINDER HEAD ASSY

Item1-1 PIN,CAMSHAFT COVER

That means Item1-1 can be supplied with Item 1 and aslo can be supplied seperately.

4. The illustrations in the catalogue are just for the purpose to distinguish the parts. There might be some discrepancies between the illustrations and the real parts.. Furthermore, the illustrations can not be used for the assembling purpose. When assembling, pls use the Service Manual of the relative models.

5. The instruction for the color parts

The catalogue lists are being supervised by color code.

For example: Assy,Fuel Tank 44100H22000HF01 F01 is the colour code and means "RED".

When place an order for the color parts, please use the correct parts number (with the color code), based on the compound color sheet of the models.

This catalogue is edited according to the datas before 2023-3-30. The modification after that time should refer to the latest SPS(Spare Parts Modification notice).

TR300 COLOR TABLE FJ3A53A22F-XXE01 4 COLOR STYLES

REF. NO.	DESCRIPTION	PART NO.	a01 BLACK	a02 BLACK	a03 BLUE	a04 RED	REMARKS
1	TANK COMP SET, FUEL	44011H3A020H000	517	511	612	128	
2	TANK COMP, FUEL	44110H3A000H000	517	511	612	128	NOT SUPPLY
3	COVER, SEAT TAIL	45511H3A000H000	517	511	612	128	
4	COVER, FUEL TANK LOWER, R	44272H3A000H000	511	511	511	511	
5	COVER, FUEL TANK LOWER, L	44282H3A000H000	511	511	511	511	
6	LID SET, FRAME COVER, L	47021H3A020H000	F01	F02	F03	F04	
7	LID, FRAME COVER, L	47212H3A000H000	517	511	612	128	NOT SUPPLY
8	NAME TAPE, FRAME COVER	68130H3A000H000	UK1	UK1	UK1	UK1	
9	LID SET, FRAME COVER, R	47011H3A020H000	F01	F02	F03	F04	
10	LID, FRAME COVER, R	47112H3A000H000	517	511	612	128	NOT SUPPLY
11	NAME TAPE, FRAME COVER	68130H3A000H000	UK1	UK1	UK1	UK1	
12	FENDER SET, FRONT	53011H3A000H000	F01	F02	F03	F04	
13	FENDER, FRONT	53111H3A000H000	517	511	612	128	NOT SUPPLY
14	EMBLEM, ABS	68151H2H010H000	SIL	SIL	SIL	SIL	

TR300 COLOR TABLE FJ3A53A22F-XXE01 4 COLOR STYLES

REF. NO.	DESCRIPTION	PART NO.	a01 BLACK	a02 BLACK	a03 BLUE	a04 RED	REMARKS
15	BAG ASSY, SIDE, R	95400H3A011H000	501	511	612	128	
16	LID, SIDE BOX, R	95441H3A000H000	501	511	612	128	NOT SUPPLY
17	BAG ASSY, SIDE, L	95500H3A011H000	501	511	612	128	
18	LID, SIDE BOX, L	95541H3A000H000	501	511	612	128	NOT SUPPLY

INFORMATION ILLUSTRATION INDEX

1

ENGINE & TRANSMISSION

2

ELECTRICAL

3

BODY

4

PARTS NUMBER INDEX

5

Fig. 1 CYLINDER HEAD&CYLINDER HEAD COVER (P11-C010-0005)

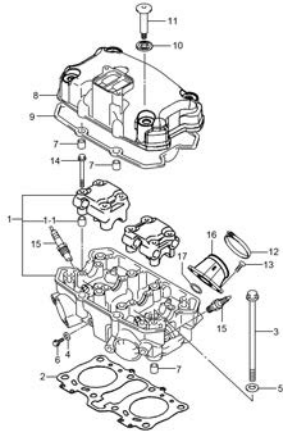


Fig. 2 CYLINDER (P11-C020-0004)

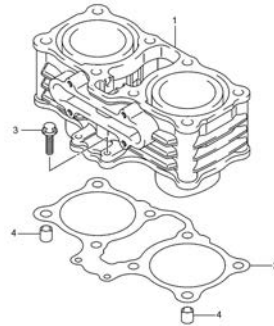


Fig. 3 CRANKCASE (P11-C030-0003)

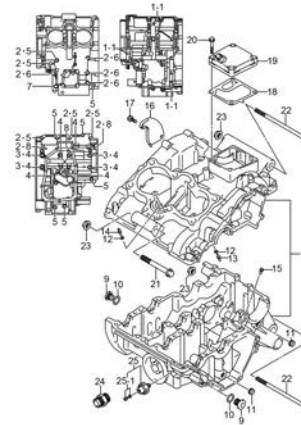


Fig. 4 CRANKCASE COVER (P11-C040-0007)

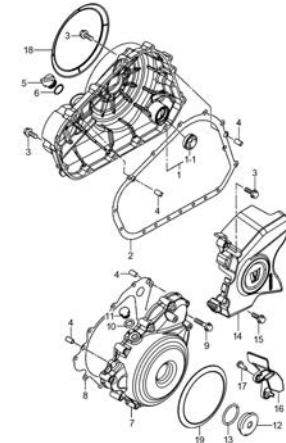


Fig. 5 CRANKSHAFT (P11-C050-0007)

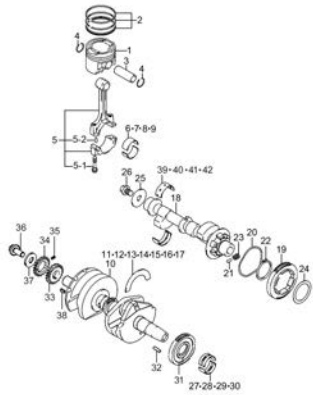


Fig. 6 STARTER CLUTCH (P11-C060-0001)

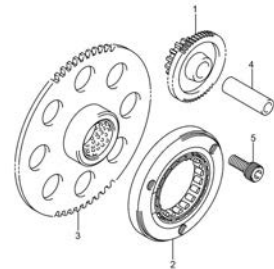


Fig. 7 CAMSHAFT-VALVE (P11-C070-0004)

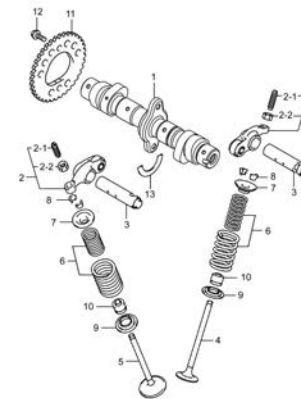
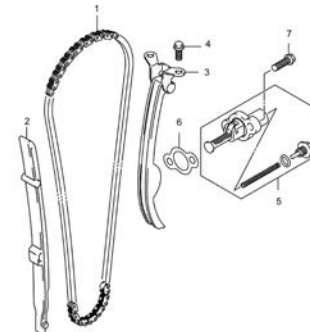


Fig. 8 CAM CHAIN (P11-C080-0004)



1

Fig. 9 THROTTLE (P11-C095-0006)

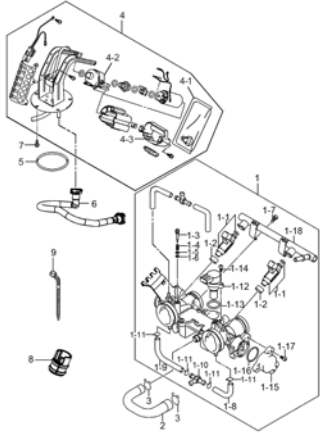


Fig. 10 FUEL EVAPSYSTEM (P11-C098-0008)

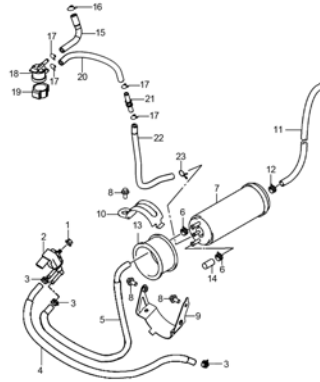


Fig. 11 AIR CLEANER (P11-C100-0006)

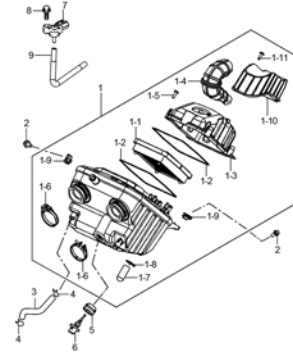


Fig. 12 MUFFLER (P11-C110-0024)

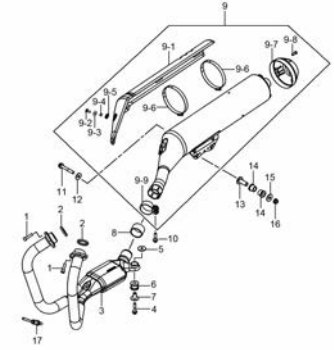


Fig. 13 WATER PUMP (P11-C113-0001)

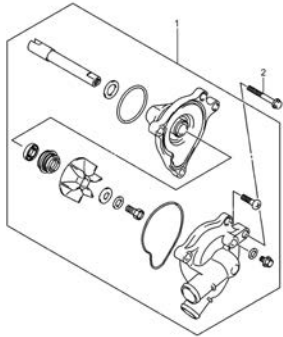


Fig. 14 RADIATOR (P11-C115-0015)

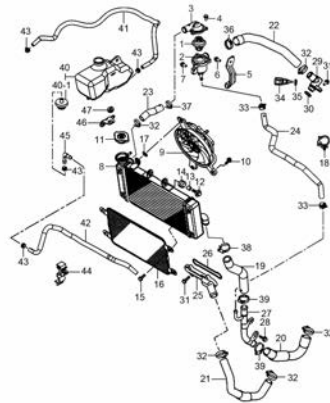


Fig. 15 2ND AIR VAVLE (P11-C120-0005)

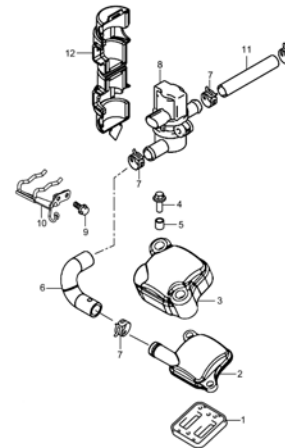


Fig. 16 OIL PUMP (P11-C130-0004)

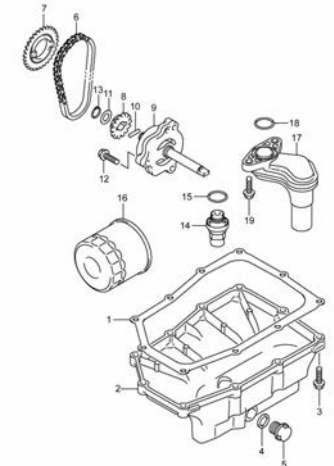


Fig. 17 CLUTCH (P11-C140-0006)

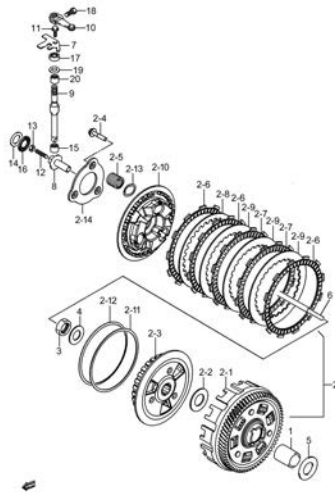


Fig. 18 TRANSMISSION (P11-C150-0008)

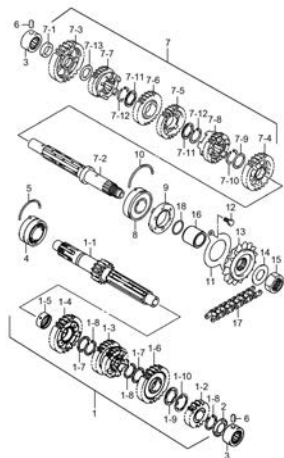


Fig. 19 GEAR SHIFTING (P11-C160-0011)

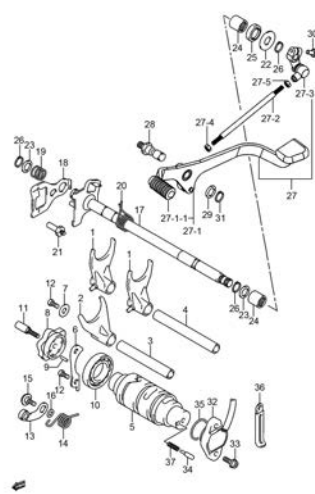


Fig. 20 STARTING MOTOR (P11-C170-0002)

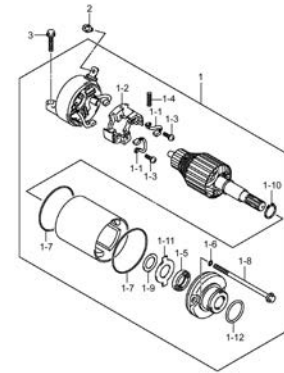


Fig. 21 MAGNETO (P11-C180-0005)

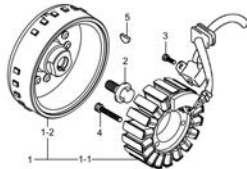


Fig. 22 BATTERY (P11-C190-0015)

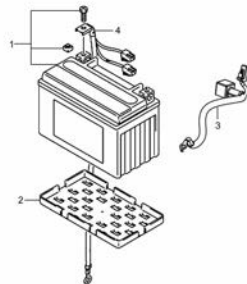


Fig. 23 ELECTRICAL (P11-C200-0019)

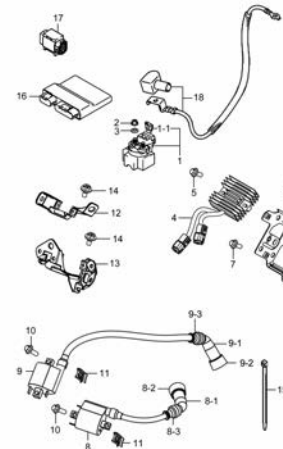


Fig. 24 SPEEDOMETER (P11-C210-0013)

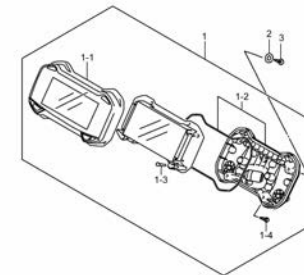


Fig. 25 HEADLAMP (P11-C220-0014)

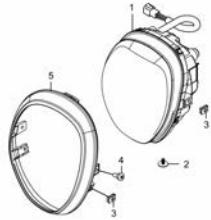


Fig. 26 TURN SIGNAL LAMP (P11-C230-0014)

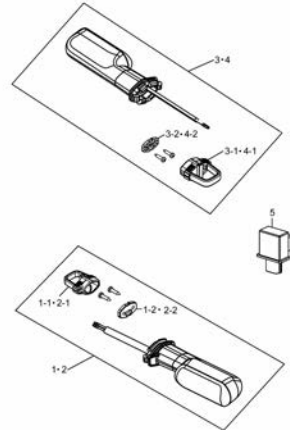


Fig. 27 REAR COMBINATION LAMP (P11-C240-0010)

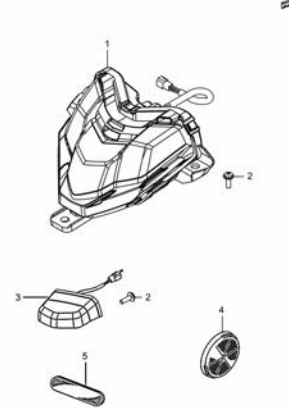


Fig. 28 WIRING HARNESS (P11-C250-0031)

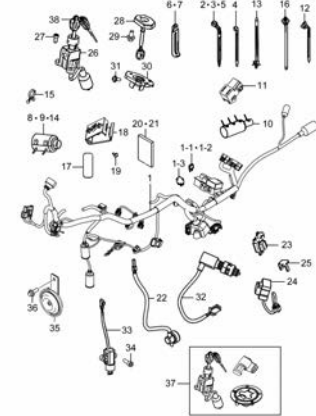


Fig. 29 FRAME (P11-C260-0036)

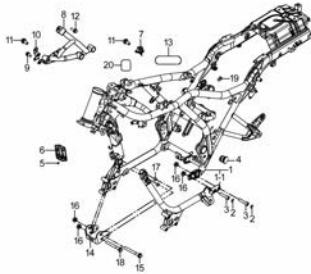


Fig. 30 STAND (P11-C270-0019)

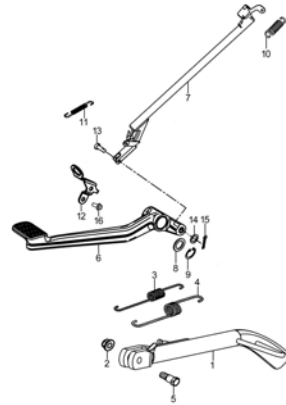


Fig. 31 FOOTREST (P11-C280-0017)

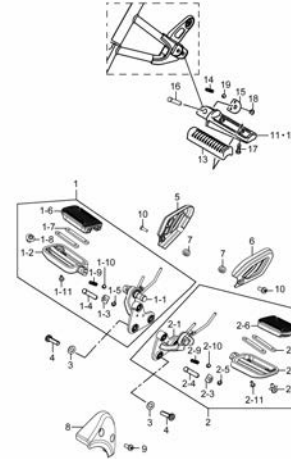


Fig. 32 FUEL TANK (P11-C290-0025)

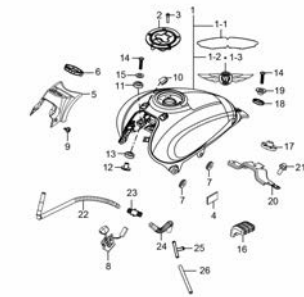


Fig. 33 LEG SHIELD (P11-C305-0004)

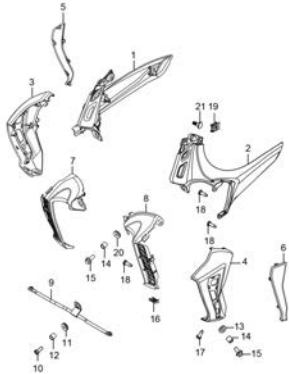


Fig. 34 FRAME COVER (P11-C310-0034)

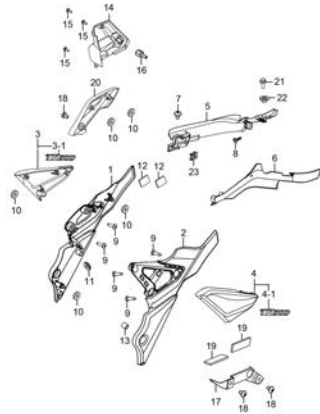


Fig. 35 FRONT FENDER (P11-C320-0013)

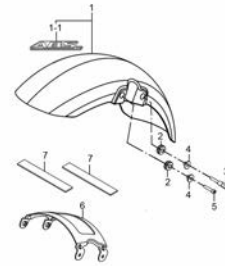


Fig. 36 HANDLEBAR (P11-C330-0021)

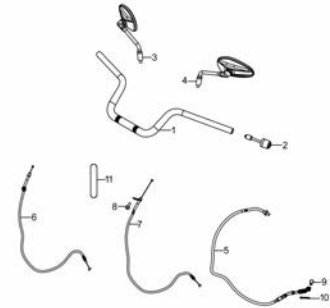


Fig. 37 HANDLE SWITCH (P11-C340-0015)

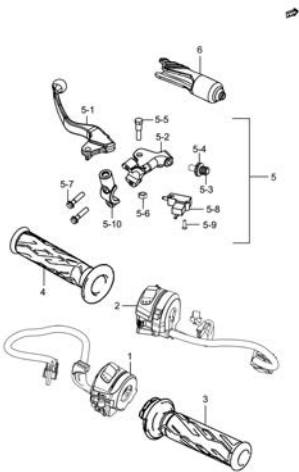


Fig. 38 REAR FENDER (P11-C350-0016)

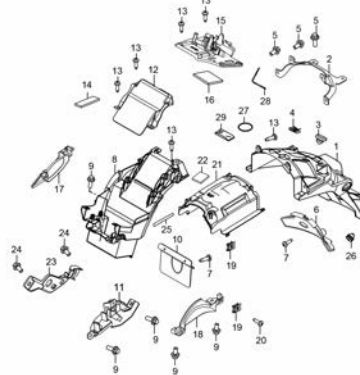


Fig. 39 COWLING (P11-C360-0026)

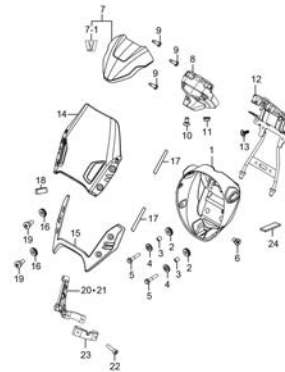


Fig. 40 LABEL (P11-C370-0046)

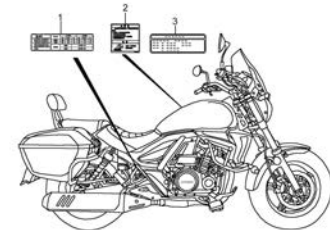


Fig. 41 SEAT (P11-C380-0010)

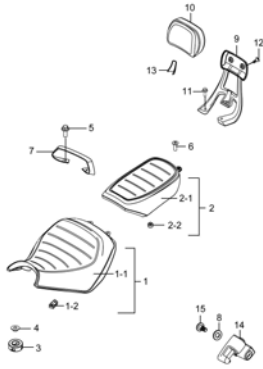


Fig. 42 COVER, SEAT TAIL (P11-C390-0005)

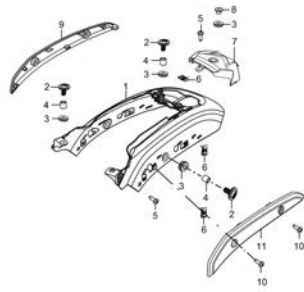


Fig. 43 STEERING STEM (P11-C400-0019)

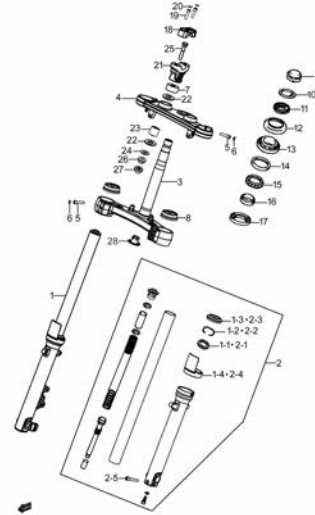


Fig. 44 FRONT WHEEL (P11-C410-0016)

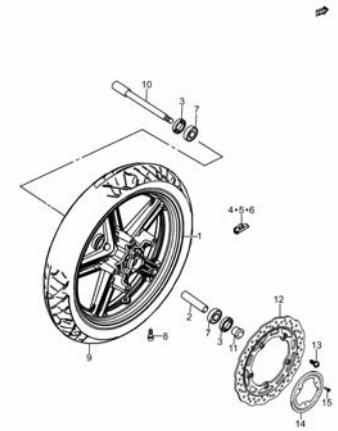


Fig. 45 HYDRAULIC UNIT (P11-C415-0006)

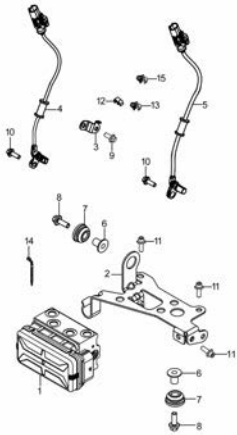


Fig. 46 FRONT CALIPER (P11-C420-0005)

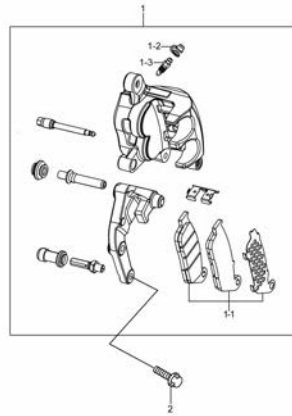


Fig. 47 FRONT BRAKE CYLINDER (P11-C430-0015)

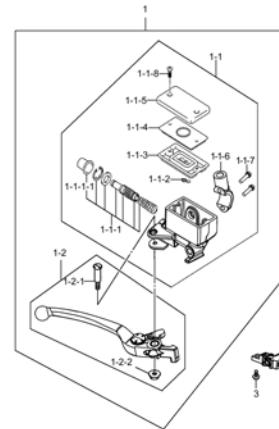


Fig. 48 HOSE, FRONT BRAKE (P11-C435-0013)

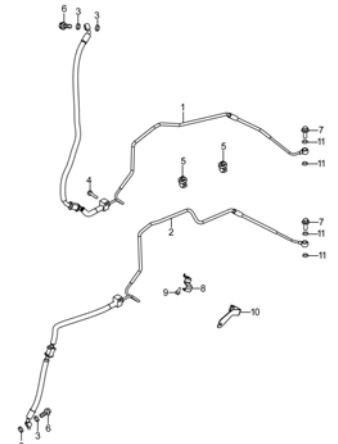


Fig. 49 REAR SWINGING ARM
(P11-C440-0015)

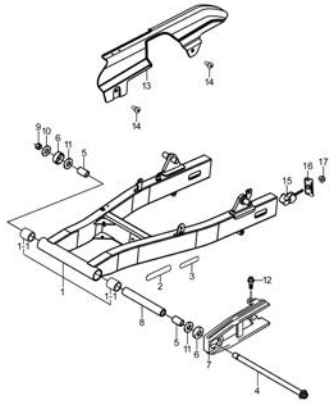


Fig. 50 REARSHOCK ABSORBER
(P11-C450-0018)

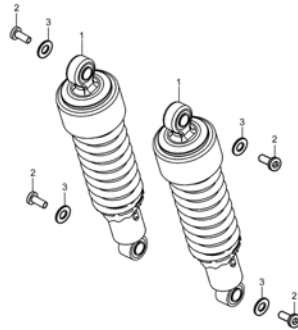


Fig. 51 REAR WHEEL (P11-C460-0017)

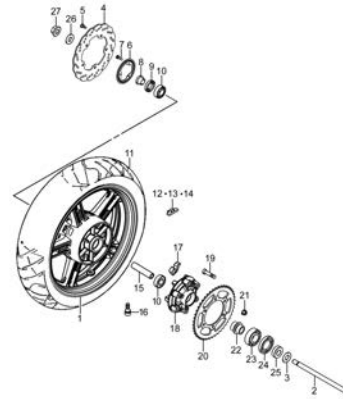


Fig. 52 REAR CALIPER (P11-C463-0006)

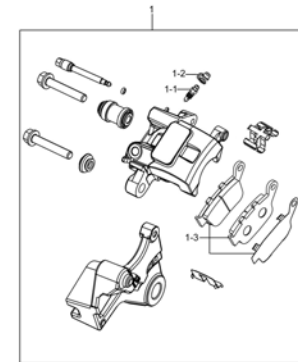


Fig. 53 REAR MASTER CYLINDER
(P11-C465-0012)

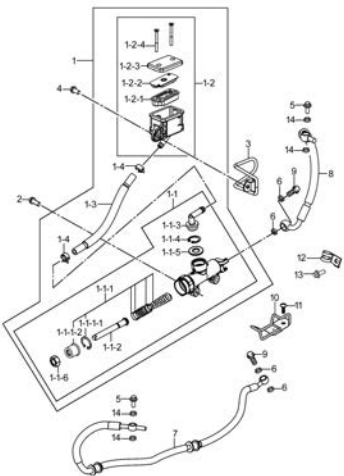


Fig. 54 BUMPER COMP (P11-C470-0008)

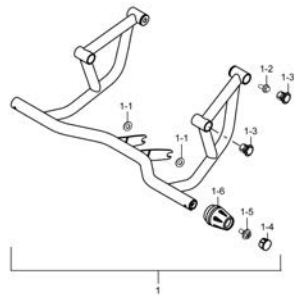


Fig. 55 SIDE BOX ASSY (P11-C500-0010)

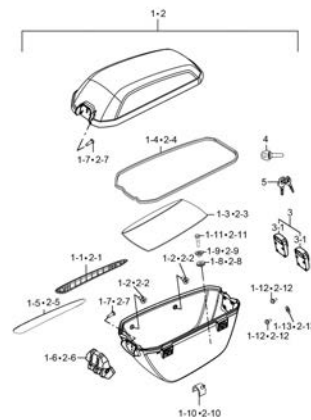


Fig. 56 SIX BOX BRACKET ASSY
(P11-C510-0008)

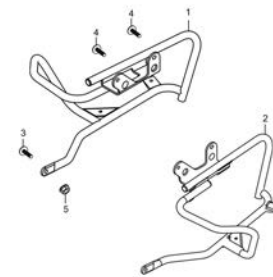


Fig.1

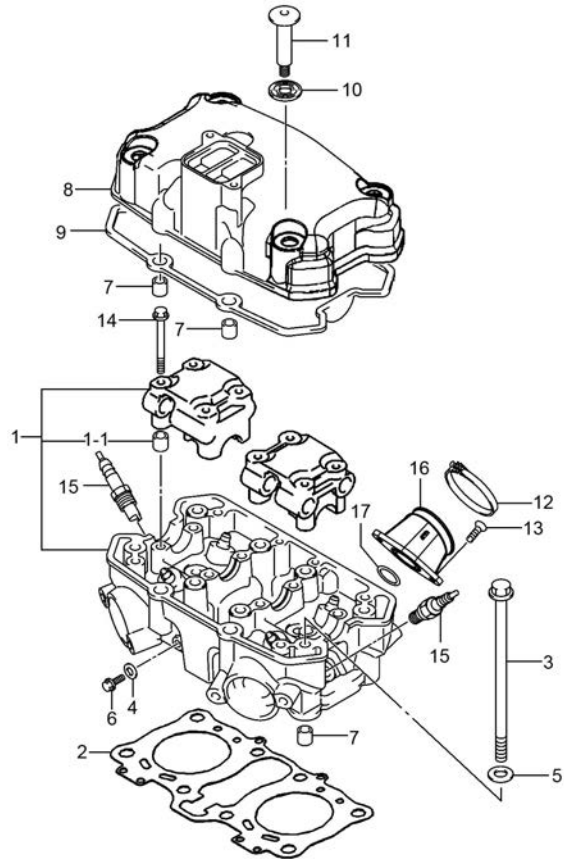


Fig.1 CYLINDER HEAD&CYLINDER HEAD COVER (P11-C010-0005)

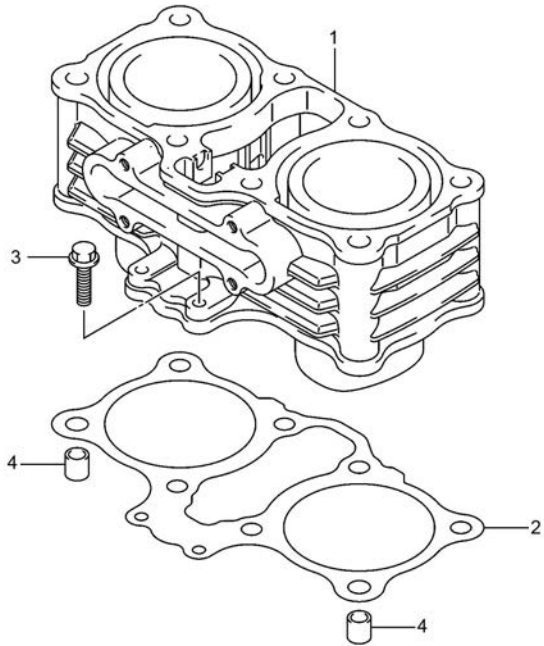
REF. No.	PART No.	DESCRIPTION	Q'TY	REMARKS
1	11011H53010H000	HEAD SET, CYLINDER	1	
1-1	09206-08011-000	PIN, KNOCK	4	
2	11141H53000H000	GASKET, CYLINDER HEAD	1	
3	09103-08449-000	BOLT	8	
4	09168-06L04-000	GASKET	2	
5	09168-08032-000	GASKET, CYLINDER HEAD NUT	8	
6	01550-0612A-000	BOLT	2	
7	04211-11129-000	PIN, CYLINDER HEAD	4	
8	11171-48H51-000	COVER, CYLINDER HEAD	1	
9	11173-48H00-000	GASKET, CYL HEAD COVER	1	
10	11191-27E60-000	WASHER, CYL HEAD COVER	4	
11	09106-07022-000	BOLT	4	
12	13170-48H00-000	CLAMP COMP, INTAKE PIPE	2	
13	02122-0616A-000	SCREW	4	
14	09103-06220-000	BOLT	8	
15	09482-00622-000	PLUG, SPARK (CPR8EA-9)	2	
16	13110H53000H000	PIPE COMP, INTAKE	2	
17	09280-30L01-000	O-RING	2	

2

Fig. 2

Fig.2 CYLINDER (P11-C020-0004)

REF. No.	PART No.	DESCRIPTION	Q' TY	REMARKS
1	11210H53000H0F0	CYLINDER COMP	1	
2	11241-48H00-000	GASKET, CYLINDER	1	
3	01550-0625A-000	BOLT	2	
4	04211-11129-000	PIN, CYLINDER HEAD	2	



2



Fig. 3

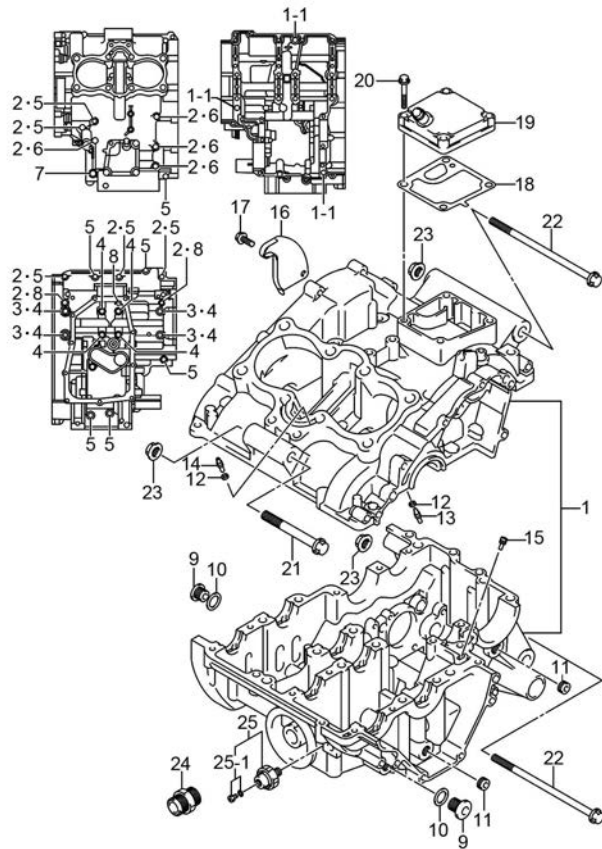


Fig.3 CRANKCASE (P11-C030-0003)

REF. No.	PART No.	DESCRIPTION	Q'TY	REMARKS
1	11300-48H20-000	CRANKCASE ASSY	1	
1-1	04211-11169-000	PIN, CRANKSHAFT COVER, R	3	
2	09168-06L04-000	GASKET	11	
3	09168-08035-000	GASKET	4	
4	09103-08554-000	BOLT	8	
5	01547-0635A-000	BOLT	11	
6	01547-0655A-000	HEXAGON BOLT WITH FLANGE	4	
7	01550-0855A-000	BOLTS, HEXAGON HEAD FLANGE	1	
8	01547-0690A-000	BOLT	3	
9	09248-14013-000	PLUG	3	
10	09168-14L01-000	GASKET	3	
11	11322-48H00-000	PLUG	3	
12	09280-04004-000	O-RING	3	
13	11391-48H00-000	JET, PISTON COOLING	2	
14	11329-48H00-000	JET, OIL GALLERY CYLINDER	1	
15	11313-48H00-000	JET, OIL	1	
16	11317-48H00-000	PLATE, OIL SEPARATOR	1	
17	01547-0612A-000	HEXAGON BOLT WITH FLANGE	2	
18	11318-48H00-000	GASKET, BREATHER COVER	1	
19	11330-48H01-000	COVER COMP, BREATHER	1	
20	01547-0630A-000	BOLT	4	
21	09103-10445-000	BOLT	1	
22	09103-10115-000	BOLT	2	
23	09159-10L06-000	WELL NUT	3	
24	16591-48H00-000	UNION, OIL FILTER STAND	1	
25	37820-48H01-000	SWITCH ASSY, OIL PRESSURE	1	
25-1	37822-48H00-000	BOLT, OIL PRESS SW	1	

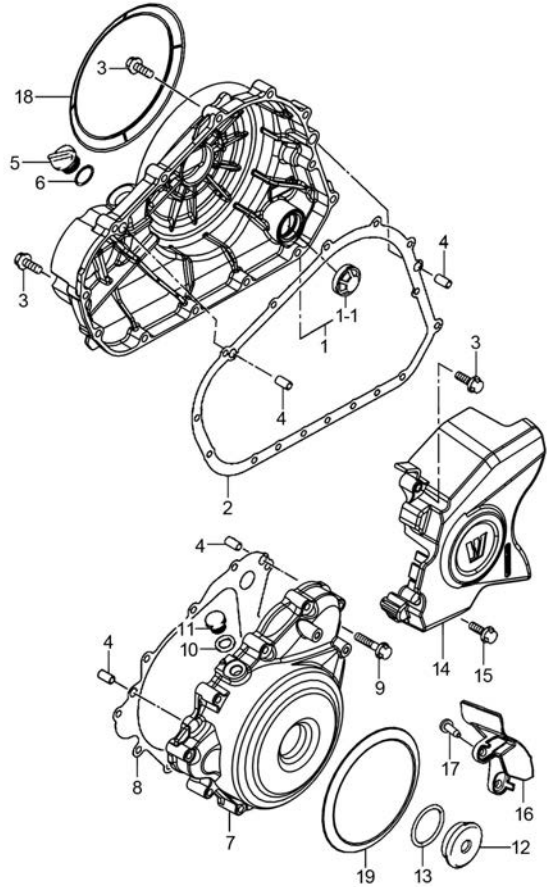
2



Fig. 4

Fig.4 CRANKCASE COVER (P11-C040-0007)

2



REF. No.	PART No.	DESCRIPTION	Q' TY	REMARKS
1	11340H3A001H000	COVER COMP, CLUTCH	1	
1-1	11971-48H00-000	LENS, OIL LEVEL CHECK	1	
2	11482-48H00-000	GASKET, CLUTCH COVER	1	
3	01547-0630A-000	BOLT	14	
4	04211-09149-000	PIN	4	
5	11972-48H00-000	PLUG, OIL FILLER	1	
6	09280-17003-000	O-RING, ENG OIL FILLER PLUG	1	
7	11351H3A001H000	COVER, MAGNETO	1	
8	11483-48H00-000	GASKET, MAGNETO COVER	1	
9	01547-0635A-000	BOLT	10	
10	11352-48H00-000	GASKET, TDC PLUG	1	
11	09247-12107-000	PLUG	1	
12	09259-36030-000	PLUG	1	
13	09280-33004-000	O RING	1	
14	11360H3A001H000	COVER COMP, ENG SPROCKET	1	
15	01547-0640A-000	BOLTS, HEXAGON HEAD FLANGE	1	
16	11366H2H000H000	FENDER	1	
17	03541-0516A-000	CROSS RECESSED HEAD TAPPING SCREW	2	
18	11342H3A010H000	CAP, CLUTCH COVER	1	
19	11352H3A010H000	COVER, MAGNETO OUTER	1	

Fig. 5

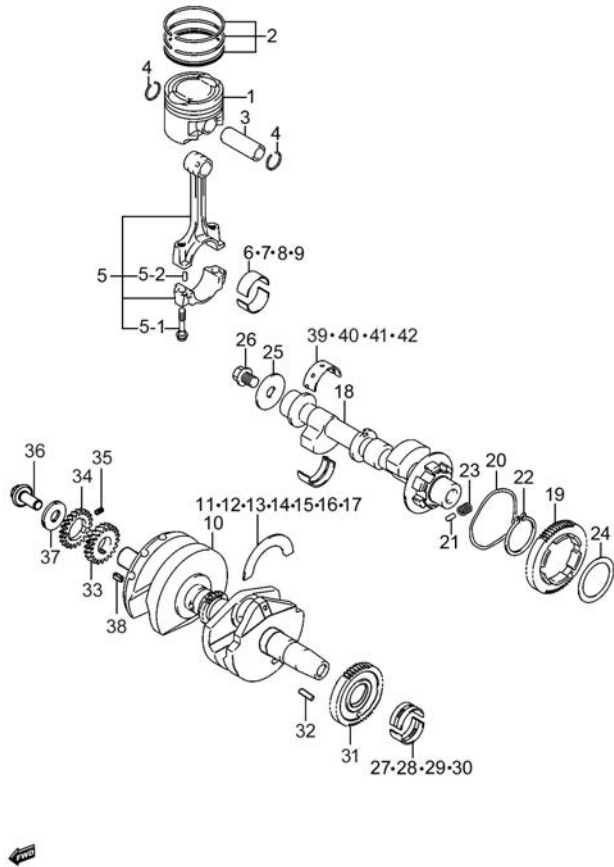


Fig.5 CRANKSHAFT (P11-C050-0007)

REF. No.	PART No.	DESCRIPTION	Q' TY	REMARKS
1	12111H53000H0F0	PISTON	2	
2	12140H53000H000	RING SET, PISTON	2	
3	12151-48H00-000	PIN, PISTON	2	
4	09381-15001-000	CIRCLIP	4	
5	12160-48H00-000	CONNROD ASSY	2	
5-1	12163-35F00-000	BOLT, CONNROD	2	
5-2	04221-04089-000	PIN	2	
6	12164-39F00-0A0	BEARING, CRANK PIN	4	GREEN
7	12164-39F00-0B0	BEARING, CRANK PIN	4	BLACK
8	12164-39F00-0C0	BEARING, CRANK PIN	4	BROWN
9	12164-39F00-0D0	BEARING, CRANK PIN	4	YELLOW
10	12220H53000H000	CRANKSHAFT COMP	1	
11	12228-17E00-0E0	BEARING, CRANK THRUST	2	YELLOW
12	12228-17E00-0F0	BEARING, CRANK THRUST	2	WHITE
13	12228-17E00-0G0	BEARING, CRANK THRUST	2	ORANGE
14	12228-17E00-0H0	BEARING, CRANK THRUST	2	PINK
15	12228-17E00-0J0	BEARING, CRANK THRUST	2	BROWN
16	12228-17E00-0K0	BEARING, CRANK THRUST	2	PURPLE
17	12228-17E00-0L0	BEARING, CRANK THRUST	2	
18	12650H53000H000	BALANCER COMP, CRANK	1	
19	12666-48H01-000	GEAR, CRANK BALANCER DRIVEN	1	
20	09164-60001-000	WASHER, WAVE	1	
21	09202-04017-000	pin	3	
22	09380-38008-000	RING, SNAP	1	
23	09440-09031-000	SPRING, COMPRESSION	6	
24	08211-38521-000	THRUST WASHER	1	
25	09160-10151-000	WASHER, PLAIN	1	
26	01550-1016A-000	BOLT	1	
27	12229-48H10-0A0	BEARING, CRANKSHAFT	8	GREEN

2

Fig. 5

2

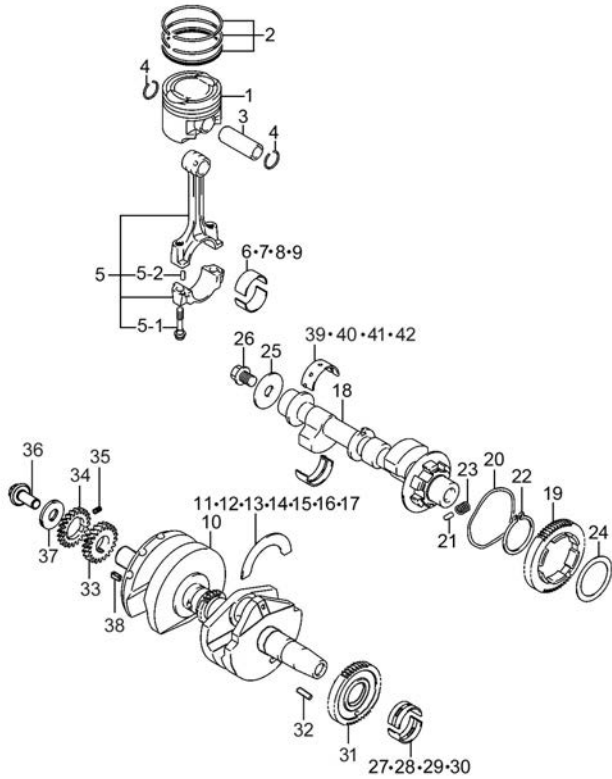


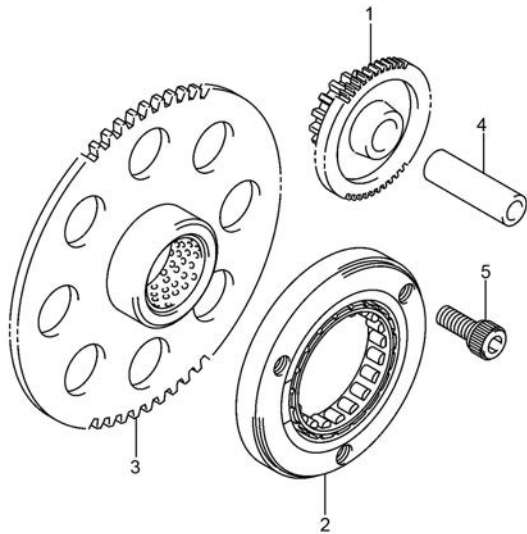
Fig.5 CRANKSHAFT (P11-C050-0007)

REF. No.	PART No.	DESCRIPTION	Q' TY	REMARKS
28	12229-48H10-0B0	BEARING, CRANKSHAFT	8	BLACK
29	12229-48H10-0C0	BEARING, CRANKSHAFT	8	BROWN
30	12229-48H10-0D0	BEARING, CRANKSHAFT	8	YELLOW
31	12661-48H00-000	GEAR, CRANK BALANCER DRIVE	1	
32	09261-08006-000	ROLLER	1	
33	21111H53000H000	GEAR, PRIMARY DRIVE	1	
34	21112H53000H000	GEAR, PRIMARY DRIVE NO. 2	1	
35	21114-35C00-000	SPRING, PRIMARY DRIVE GEAR	3	
36	09103H10017H000	BOLT	1	
37	21113H53000H000	WASHER, PRIMARY DRIVE GEAR	1	
38	09421H04001H000	KEY	1	
39	12229-48H00-0A0	BEARING, CRANK BALANCER	6	GREEN
40	12229-48H00-0B0	BEARING, CRANK BALANCER	6	BLACK
41	12229-48H00-0C0	BEARING, CRANK BALANCER	6	BROWN
42	12229-48H00-0D0	BEARING, CRANK BALANCER	6	YELLOW

Fig. 6

Fig.6 STARTER CLUTCH (P11-C060-0001)

REF. No.	PART No.	DESCRIPTION	Q' TY	REMARKS
1	12611-48H00-000	GEAR, STARTER IDLE	1	
2	12614-48H00-000	CLUTCH, STARTER ONE WAY	1	
3	12620-48H00-000	GEAR COMP, STARTER CLUTCH	1	
4	09206-13007-000	PIN	1	
5	07130-0816A-000	BOLT	3	



2



Fig. 7

2

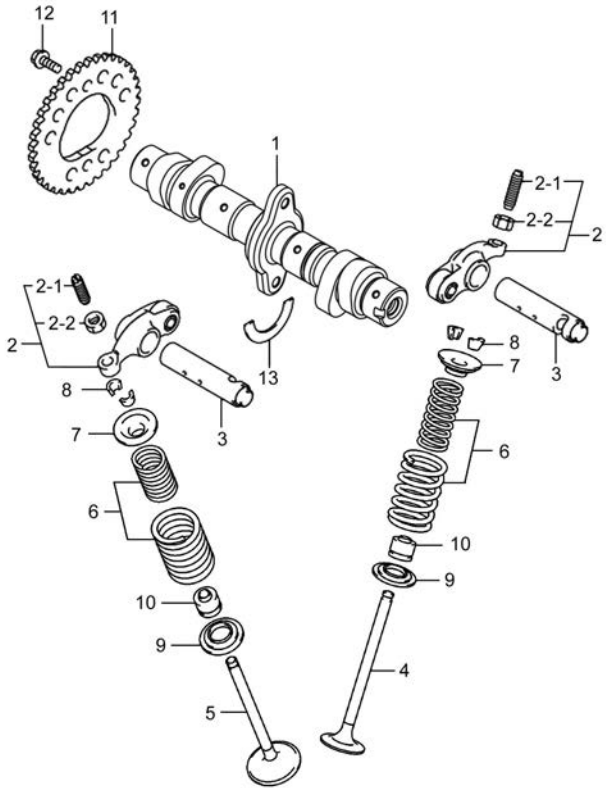


Fig.7 CAMSHAFT-VALVE (P11-C070-0004)

REF. No.	PART No.	DESCRIPTION	Q' TY	REMARKS
1	12710H53002H000	CAMSHAFT COMP	1	
2	12840-20K10-000	ARM ASSY, VALVE ROCKER	4	
2-1	12842-492A0-000	SCREW, TAPPET ADJUSTING	1	
2-2	12843-39J20-000	NUT, TAPPET ADJUSTING	1	
3	12861-48H00-000	SHAFT, VALVE ROCKER ARM	4	
4	12911-20K00-000	VALVE, INTAKE	2	
5	12912-20H20-000	VALVE, EXHAUST	2	
6	12920-48H10-000	SPRING SET, VALVE	4	
7	12931-27A30-000	RETAINER VALVE SPRING	4	
8	12932-27A10-000	COTTER, VALVE	8	
9	12933-81410-000	SEAT, VALVE SPRING	4	
10	09289-05L02-000	SEAL, OIL	4	
11	12741-48H00-000	SPROCKET, CAMSHAFT	1	
12	09111-06027-000	BOLT, SPROCKET	2	
13	09390-22002-000	C-RING, CAMSHAFT	1	

Fig. 8

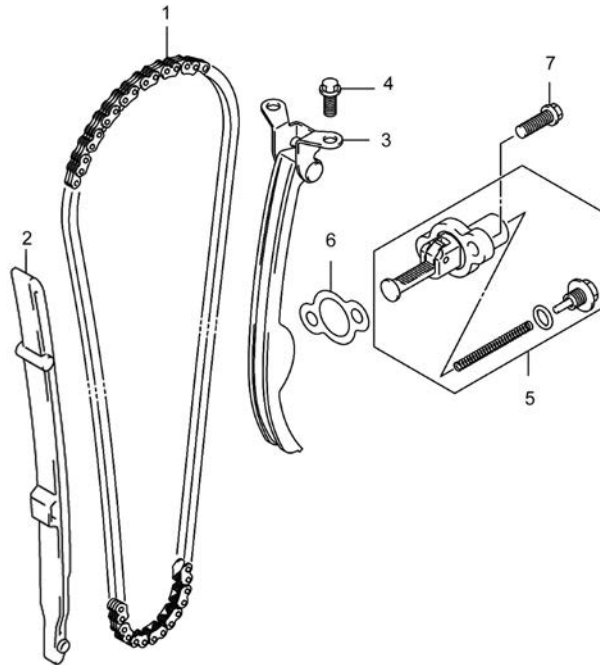


Fig.8 CAM CHAIN (P11-C080-0004)

REF. No.	PART No.	DESCRIPTION	Q' TY	REMARKS
1	12760-48H10-000	CHAIN COMP, CAMSHAFT DRIVE	1	
2	12771-20K00-000	GUIDE, CAM CHAIN	1	
3	12810H48000H000	TENSIONER COMP, CAM CHAIN	1	
4	01547-0612A-000	HEXAGON BOLT WITH FLANGE	2	
5	12830-02A10-000	ADJUSTER ASSY, TENSIONER	1	
6	12837-48H00-000	GASKET, TENSIONER ADJUSTER	1	
7	01547-0620A-000	BOLT	2	

2



Fig. 9

2

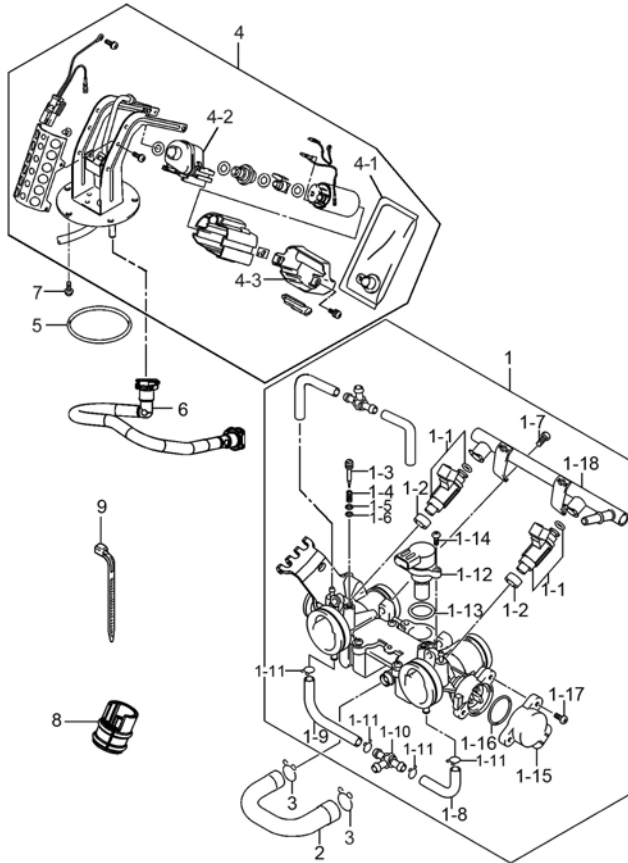


Fig.9 THROTTLE (P11-C095-0006)

REF. No.	PART No.	DESCRIPTION	Q' TY	REMARKS
1	13400H2H000H000	BODY ASSY, THROTTLE	1	
1-1	15710-48H00-000	INJECTOR ASSY, FUEL	2	
1-2	15722-29G00-000	SEAL, INJECTOR	2	
1-3	13279-13G10-000	ADJUSTER	2	
1-4	13268-48700-000	spring	2	
1-5	13606-47A00-000	WASHER	2	
1-6	13295-29901-000	O-RING	2	
1-7	13602-06148-000	SCREW, BODY THROTTLE DELIVERY PIPE	1	
1-8	13683-48H40-000	HOSE	1	
1-9	13683-48H50-000	HOSE	1	
1-10	13685-29G00-000	NIPPLE, THROTTLE BODY	1	
1-11	13671-29G00-000	CLIP	4	
1-12	18117-14J01-000	MOTOR, THROTTLE BODY	1	
1-13	13679-37H00-000	O-RING, THROTTLE BODY MOTOR	1	
1-14	13602-05A40-000	SCREW, THROTTLE BODY MOTOR	2	
1-15	13580-48H01-000	SENSOR ASSY, THROTTLE BODY	1	
1-16	13311-48H00-000	O-RING, THROTTLE BODY SENSOR	1	
1-17	13605-02F00-000	SCREW, THROTTLE BODY SENSOR	2	
1-18	15730-48H00-000	PIPE COMP, DELIVERY	1	
2	13697H2H000H000	HOSE, ISC VALVE	1	
3	09401-15101-000	CLIP, 2ND AIR CLNR HOSE	2	
4	15100-48H02-000	PUMP ASSY, FUEL	1	
4-1	15420-48H11-000	STRAINER, FUEL PUMP	1	
4-2	15410-48H00-000	FILTER COMP, FUEL	1	
4-3	15426-48H01-000	DUST COVER, FUEL PUMP	1	
5	15201-48H00-000	O-RING, FUEL PUMP	1	
6	15810H3A000H000	HOSE COMP, FUEL	1	

Fig.9

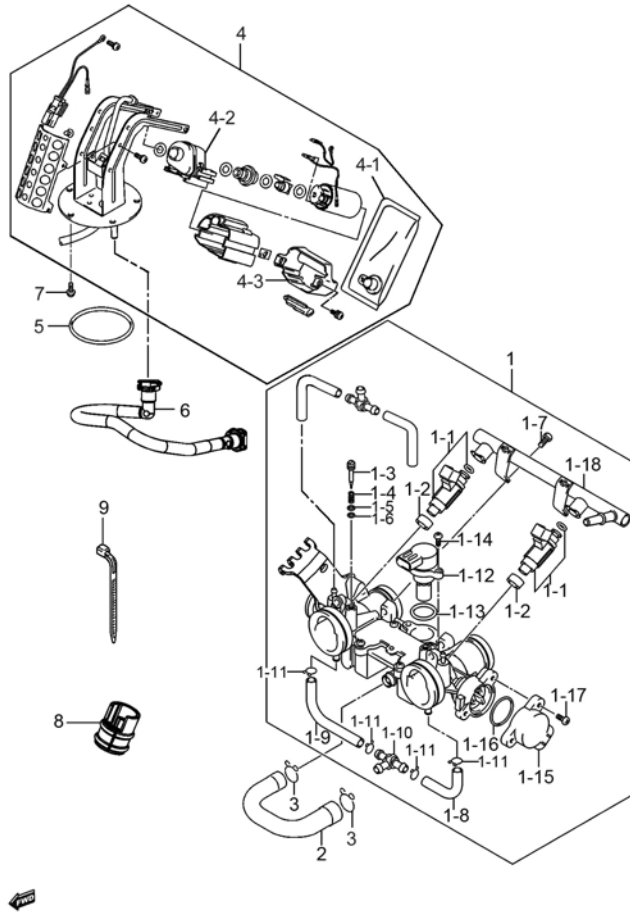


Fig.9 THROTTLE (P11-C095-0006)

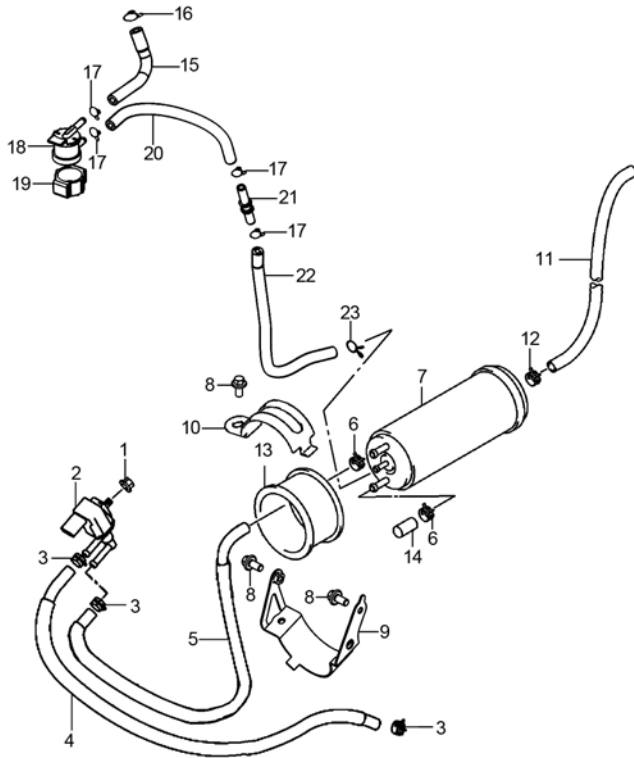
REF. No.	PART No.	DESCRIPTION	Q' TY	REMARKS
7	01547-0612A-000	HEXAGON BOLT WITH FLANGE	5	
8	15715H2H000H000	INSULATIVE RUBBER SECOND	2	
9	09407-11401-000	CLAMP, WIRING HARNESS	2	

2

Fig. 10

Fig.10 FUEL EVAPOSYSTEM (P11-C098-0008)

REF. No.	PART No.	DESCRIPTION	Q' TY	REMARKS
1	08316-1006A-000	NUT	1	
2	18117-20K00-000	VALVE, CANISTER PURGE	1	
3	09401-09L01-000	CLIP	3	
4	18562H3A000H000	HOSE, CSTR PURGE NO. 2	1	
5	18561H3A000H000	HOSE, CANISTER PURGE	1	
6	09401-10L01-000	CLIP	2	
7	18560-48H00-000	CANISTER ASSY, EVAP	1	
8	01550-0612A-000	BOLT	3	
9	18572H3A000H000	HOLDER, CANISTER COMP	1	
10	18578-48H00-000	HOLDER, CANISTER	1	
11	18567H3A000H000	HOSE, CANISTER AIR	1	
12	09401-12L04-000	CLIP	1	
13	44883-26E00-000	CUSHION, CANISTER	1	
14	09251-07006-000	CAP	1	
15	44434H3A000H000	HOSE, TANK & BRTHR VALVE	1	
16	09401-09101-000	CLAMP	1	
17	09401H08302H000	CLAMP	4	
18	44240-45F11-000	VALVE, FUEL TANK BRTHR	1	
19	44894-45F10-000	CUSHION, FUEL TANK BRTHR VALVE	1	
20	44435H3A000H000	HOSE, BRTHR VALVE & CSTR, NO. 1	1	
21	44452H05501H000	JOINT, HOSE	1	
22	44436H3A000H000	HOSE, BRTHR VALVE & CSTR, NO. 2	1	
23	09401H09201H000	CLIP	1	



2

Fig.11

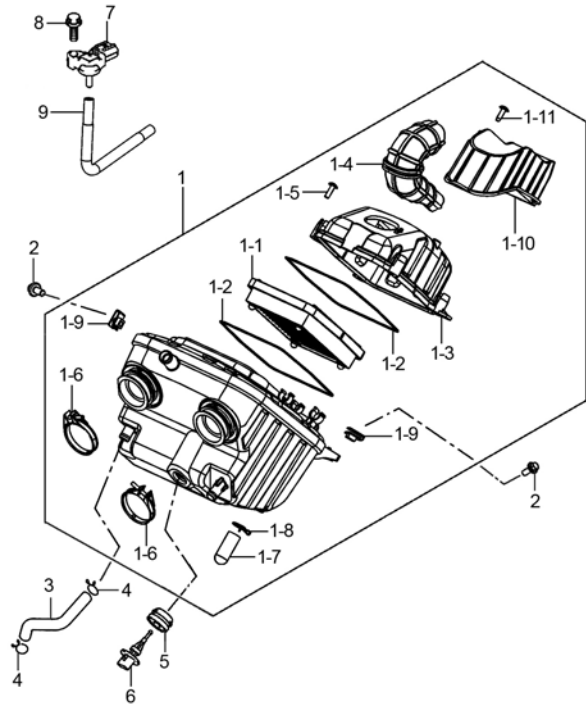


Fig.11 AIR CLEANER (P11-C100-0006)

REF. No.	PART No.	DESCRIPTION	Q'TY	REMARKS
1	13700H3A001H000	CLEANER ASSY, AIR	1	
1-1	13780H2H000H000	FILTER COMP, AIR CLNR	1	
1-2	13723H2H000H000	GASKET, AIR CLNR CAP	2	
1-3	13741H3A001H000	CAP, AIR CLNR	1	
1-4	13891H3A000H000	TUBE, INLET	1	
1-5	02142-0516B-000	CROSS RECESSED HEAD SCREW	4	
1-6	13170H2H000H000	CLAMP, OUTLET TUBE	2	
1-7	13878-48H01-000	PLUG, DRAIN	1	
1-8	09401H14302H000	CLIP	1	
1-9	35157H37200H000	NUT	2	
1-10	13787H3A001H000	GUARD, WATER	1	
1-11	03541-0516A-000	CROSS RECESSED HEAD TAPPING SCREW	3	
2	01550-0616B-000	BOLT	2	
3	13851H2H000H000	TUBE, BREATHER	1	
4	09401-15101-000	CLIP, 2ND AIR CLNR HOSE	2	
5	13655-77E00-000	GROMMET, AIR TEMP SENSOR	1	
6	13650-52G00-000	SENSOR, AIR TEMP	1	
7	18590-18K00-000	SENSOR COMP, AIR PRESSURE	1	
8	01550-0520A-000	BOLTS, HEXAGON HEAD FLANGE	1	
9	18597H3A000H000	HOSE, AIR PRESS SENSOR	1	

2



Fig. 12

2

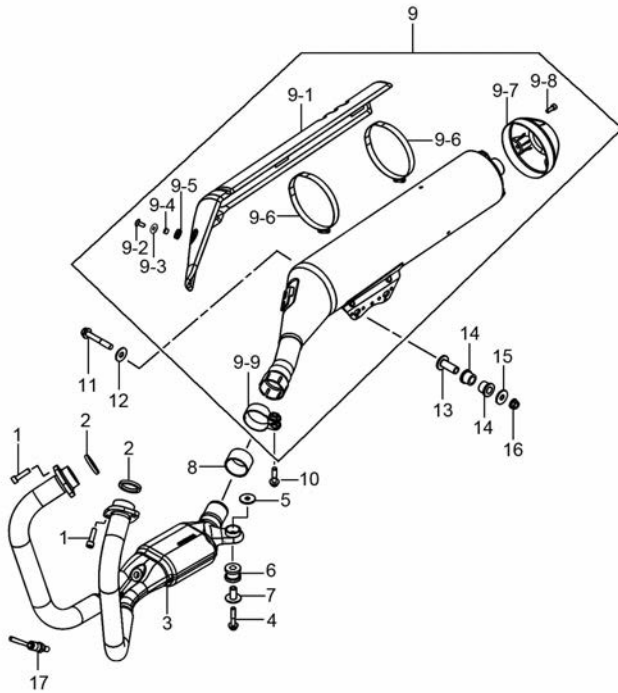


Fig.12 MUFFLER (P11-C110-0024)

REF. No.	PART No.	DESCRIPTION	Q' TY	REMARKS
1	07130-0830A-000	HEXAGON SOCKET HEAD CAP SCREW	4	
2	14181-46E20-000	GASKET, EXH PIPE	2	
3	14100H3A030H000	EXHAUST COMP	1	
4	01550-0840A-000	BOLTS, HEXAGON HEAD FLANGE	1	
5	09160-08149-000	WASHER, PLAIN	1	
6	09320-12088-000	CUSHION	1	
7	09180-08L02-000	SPACER	1	
8	14771-20K00-000	CONNECTOR, MUF	1	
9	14031H3A010H000	MUFFLER SET	1	
9-1	14780H3A010H000	COVER COMP, MUF FR	1	
9-2	09139-06167-000	SCREW	1	
9-3	09160-06028-000	WASHER, MUF COV	1	
9-4	09180-06256-000	SPACER	1	
9-5	09320-08L03-000	CUSHION	1	
9-6	09402H00501H000	CLAMP	2	
9-7	14790H3A010H000	COVER COMP, MUF	1	
9-8	07130-0616A-000	HEXAGON SOCKET HEAD CAP SCREW	3	
9-9	14459-20K01-000	CLAMP, MUFFLER CONNECTOR	1	
10	01550-0835A-000	BOLT	1	
11	01550-1065B-000	HEXAGON BOLT WITH FLANGE	2	
12	09160H10016H000	WASHER	2	
13	14413H3A000H000	SPACER	2	
14	14414H7N001H000	CUSHION	4	
15	09160H10022H000	WASHER	2	
16	08319-3110B-000	NUT	2	
17	18213H2H010H000	SENSOR, OXYGEN	1	

Fig. 13

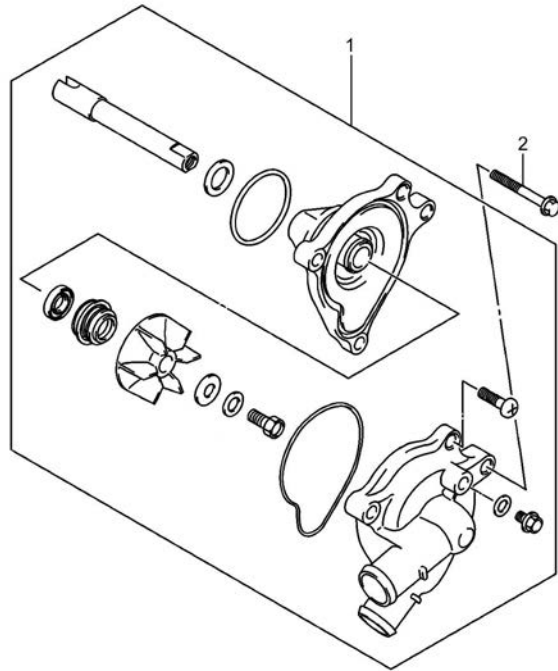


Fig.13 WATER PUMP (P11-C113-0001)

REF. No.	PART No.	DESCRIPTION	Q' TY	REMARKS
1	17400-48H01-000	PUMP ASSY, WATER	1	
2	01547-0635A-000	BOLT	2	

2

Fig. 14

2

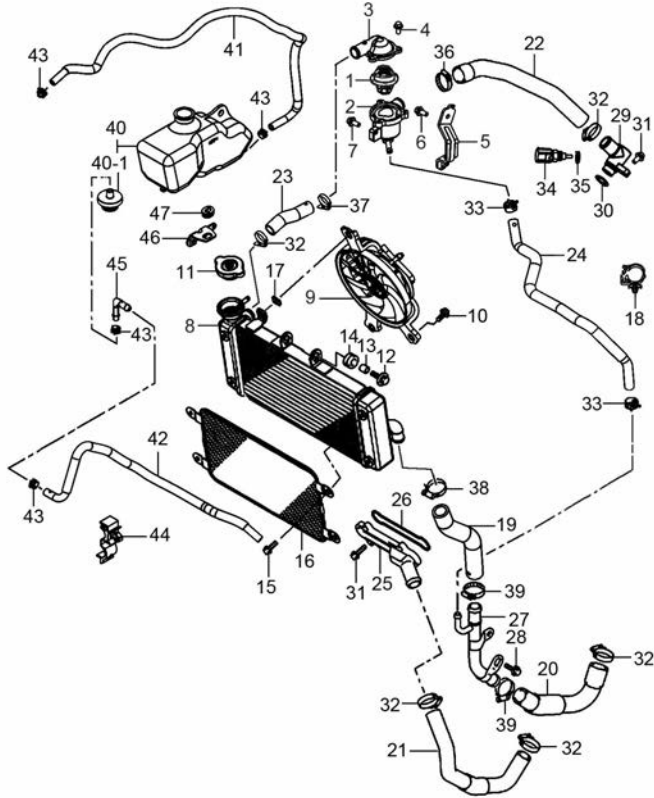


Fig.14 RADIATOR (P11-C115-0015)

REF. No.	PART No.	DESCRIPTION	Q' TY	REMARKS
1	17670-48H11-000	THERMOSTAT COMP, WATER	1	
2	17662H2H000H000	CONNECTOR, THERMOSTAT INLET	1	
3	17663H2H000H000	THERMOSTAT COVER	1	
4	01547-0616B-000	BOLT	3	
5	17664H3A000H000	THERMOSTAT SUPPORT	1	
6	07120-0612A-000	HEXAGON SOCKET HEAD CAP SCREW	1	
7	01547-0620B-000	BOLT	1	
8	17710H2H100H000	RADIATOR ASSY, WATER	1	
9	17800H2K000H000	FAN ASSY, RADIATOR	1	
10	01550-0612A-000	BOLT	3	
11	17740H2H000H000	CAP ASSY, RADIATOR	1	
12	09118-06097-000	BOLT WITH WASHER	3	
13	09180-06364-000	SPACER	3	
14	09320-10054-000	CUSHION	3	
15	02142-0610B-000	CROSS RECESSED HEAD SCREW	4	
16	17760H2H001H000	NET COMP, RADIATOR	1	
17	17712-48H00-000	NUT	3	
18	09403H18409H000	CLAMP	1	
19	17851H3A000H000	HOSE, RADIATOR OUTLET	1	
20	17852-48H00-000	HOSE, WATER PUMP INLET	1	
21	17853-48H20-000	HOSE, WATER PUMP OUTLET	1	
22	17855H2H000H000	HOSE, THERMOSTAT CONNECTOR	1	
23	17856H3A000H000	HOSE, RADIATOR INLET	1	
24	17857H3A000H000	HOSE, WATER BYPASS	1	
25	17861H2H000H000	CONNECTOR, CYL WATER INLET	1	
26	17863-48H00-000	O-RING, CYL INLET CONNECTOR	1	
27	17870H2H000H000	PIPE COMP, WATER PUMP	1	
28	01547-0616A-000	BOLT	2	
29	17880H2H001H000	PIPE COMP, CYL HEAD OUTLET	1	

Fig. 14

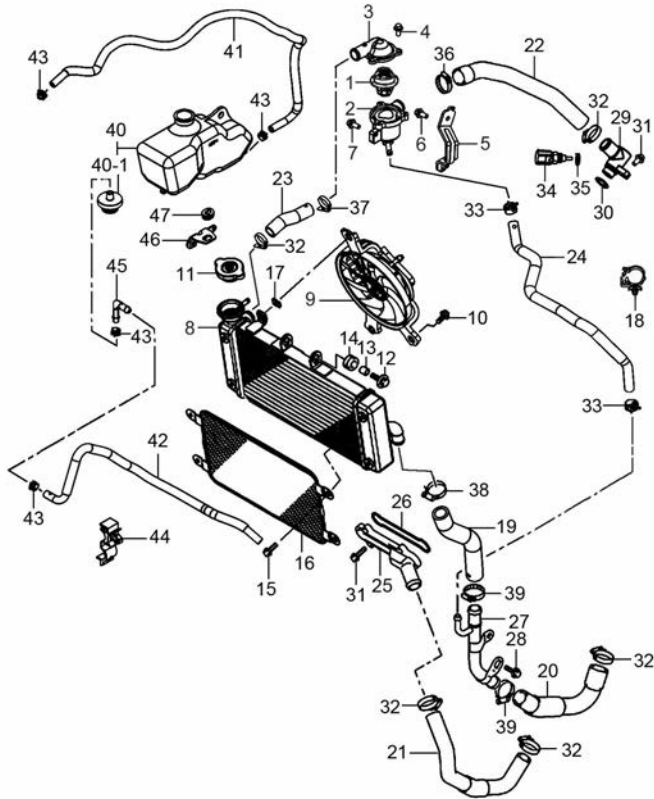


Fig.14 RADIATOR (P11-C115-0015)

REF. No.	PART No.	DESCRIPTION	Q' TY	REMARKS
30	09280-18011-000	O-RING	1	
31	01547-0620A-000	BOLT	5	
32	09402-32L01-000	CLAMP	5	
33	09401-12L02-000	CLIP	2	
34	13650-48H00-000	SENSOR, WATER TEMP	1	
35	13651-48H00-000	GASKET, TEMP SENSOR	1	
36	09402H29901H000	CLAMP	1	
37	09402H28901H000	CLAMP	1	
38	09402H26901H000	CLAMP	1	
39	09402H25901H000	CLAMP	2	
40	17091H3A000H000	TANK SET, RESERVOIR	1	
40-1	17932H3A000H000	CAP, RESERVOIR TANK	1	
41	17981H3A000H000	HOSE, RSVR TANK INLET	1	
42	17982H3A000H000	HOSE, RSVR TANK OVFL	1	
43	09401-08L01-000	CLIP	4	
44	44486H7D000H000	CLAMP, FUEL DRAIN HOSE	1	
45	09367H06005H000	JOINT, HOSE	1	
46	17920H3A000H000	BRACKET COMP, RSVR TANK	1	
47	94321H2H000H000	RUBBER, BRACKET	1	

2

Fig. 15

2

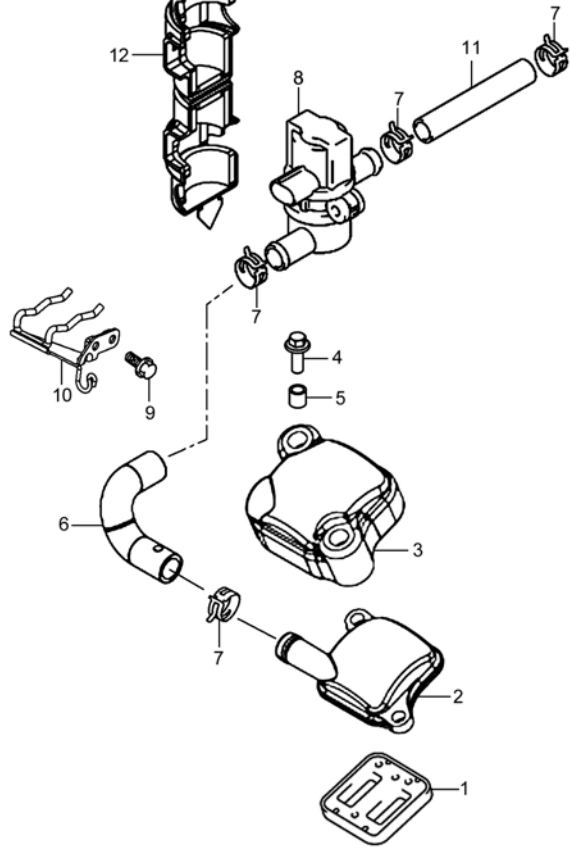


Fig.15 2ND AIR VAVLE (P11-C120-0005)

REF. No.	PART No.	DESCRIPTION	Q' TY	REMARKS
1	18450-48H10-000	VALVE ASSY, 2ND AIR REED	1	
2	18531H2H000H000	COVER, 2ND AIR REED VALVE	1	
3	18532H2H001H000	RUBBER, 2ND AIR REED VALVE COV	1	
4	01550-0625A-000	BOLT	2	
5	09180H06036H000	SPACER	2	
6	18461H3A000H000	HOSE, 2ND AIR VALVE	1	
7	09401-17L02-000	CLIP	4	
8	18510-48H80-000	VALVE ASSY, AIR CUT	1	
9	01550-0612A-000	BOLT	2	
10	18610H3A000H000	BRACKET COMP, 2ND AIR VALVE	1	
11	18711H3A000H000	HOSE, 2ND AIR CLNR	1	
12	18540H2H000H000	COVER COMP, 2ND AIR CUT VALVE	1	

Fig. 16

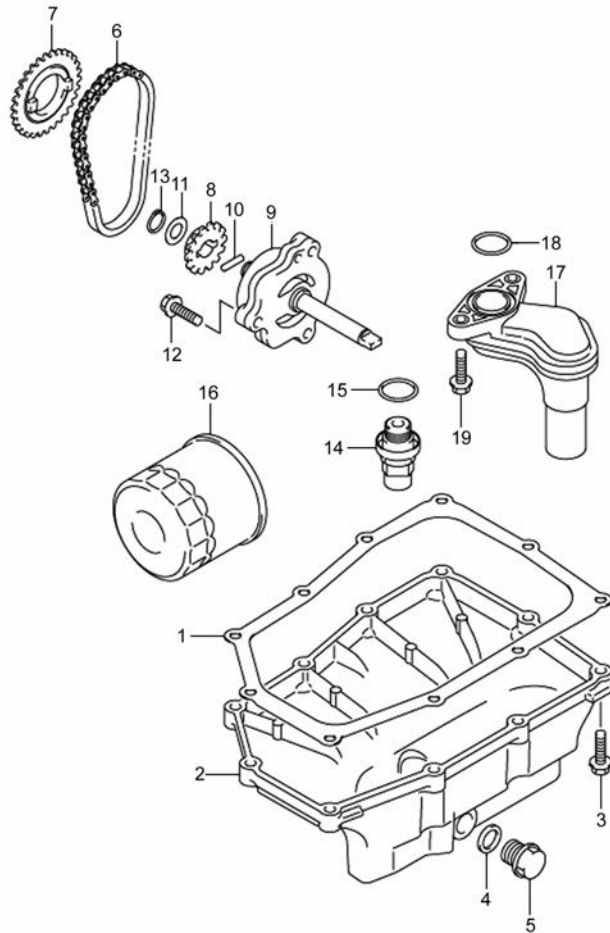


Fig.16 OIL PUMP (P11-C130-0004)

REF. No.	PART No.	DESCRIPTION	Q'TY	REMARKS
1	11489-48H00-000	GASKET, OIL PAN	1	
2	11511-48H00-000	PAN, OIL	1	
3	01547-0625A-000	BOLT	10	
4	09168-14L01-000	GASKET	1	
5	09247-14043-000	PLUG, OIL DRAIN	1	
6	16310-48H00-000	CHAIN ASSY, OIL PUMP DRIVE	1	
7	16321-48H00-000	GEAR, OIL PUMP DRIVE	1	
8	16331-48H00-000	GEAR, OIL PUMP DRIVEN	1	
9	16400-20K00-000	PUMP ASSY, ENG OIL	1	
10	16421-48H00-000	PIN, OIL PUMP DRIVEN	1	
11	16422-48H00-000	WASHER, OIL PUMP DRIVEN	1	
12	01547-0625A-000	BOLT	3	
13	08331-31109-000	CIRCLIP	1	
14	16440-48H00-000	VALVE ASSY, OIL RELIEF	1	
15	09168-16010-000	GASKET	1	
16	16510H2H000H000	FILTER COMP, ENGINE OIL	1	
17	16520-48H00-000	STRAINER COMP, ENG OIL	1	
18	09280-23L01-000	O-RING	1	
19	09103H06001H000	BOLT	2	

2



Fig. 17

2

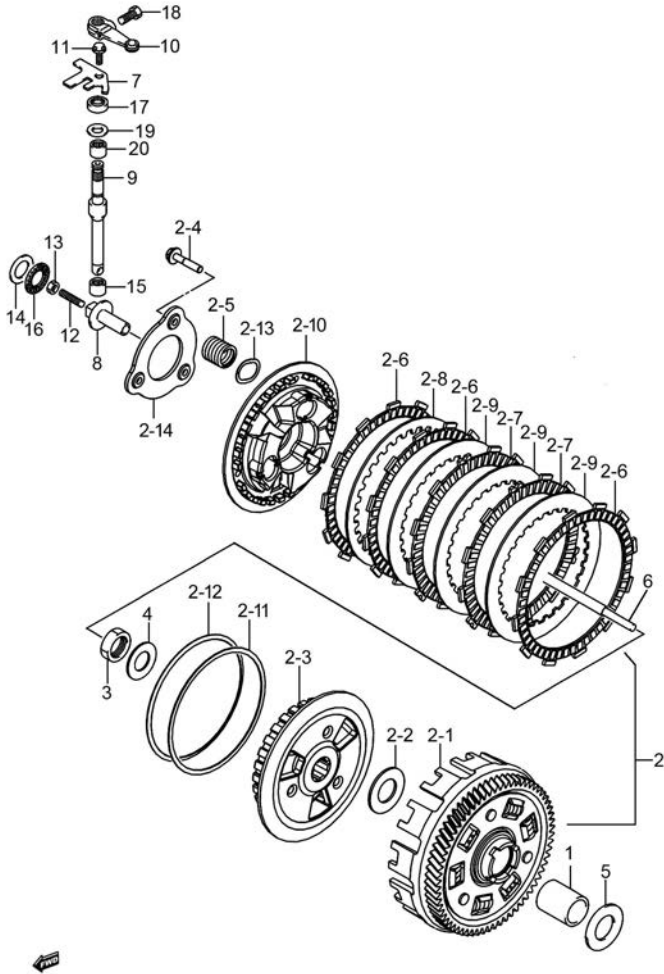


Fig.17 CLUTCH (P11-C140-0006)

REF. No.	PART No.	DESCRIPTION	Q' TY	REMARKS
1	21251H48H00H000	SPACER, PRIMARY DRIVEN GEAR	1	
2	21400H53020H000	CLUTCH ASSY, GEAR SHIFT	1	
2-1	21200H53020H000	GEAR ASSY, PRIMARY DRIVEN	1	
2-2	21252-48H00-000	WASHER, THRUST	1	
2-3	21411H53020H000	HUB, CLUTCH SLEEVE	1	
2-4	21412H53020H000	BOLT, CLUTCH SPRING	3	
2-5	21413H53020H000	SPRING, CLUTCH	3	
2-6	21441H53030H000	PLATE, CLUTCH DRIVE, NO. 1	3	
2-7	21441H53040H000	PLATE, CLUTCH DRIVE, NO. 2	2	
2-8	21451H53030H000	PLATE, CLUTCH DRIVEN, NO. 1	1	
2-9	21451H53040H000	PLATE, CLUTCH DRIVEN, NO. 2	3	
2-10	21462H53020H000	DISC, CLUTCH PRESSURE	1	
2-11	21471H53020H000	SEAT, WAVE WASHER	1	
2-12	21472H53020H000	WASHER, CLUTCH PLATE WAVE	1	
2-13	21473H53020H000	SEAT, CLUTCH SPRING	3	
2-14	21474H53020H000	PLATE, STOPPER	1	
3	09140H16001H000	NUT	1	
4	09160H16005H000	WASHER	1	
5	08211-22363-000	WASHER	1	
6	23110-48H00-000	ROD COMP, CLUTCH PUSH	1	
7	23117-48H00-000	RETAINER, CL RLSE OIL SEAL	1	
8	23121-48H00-000	PIECE, CLUTCH PUSH	1	
9	23122-48H10-000	CAMSHAFT, CLUTCH RELEASE	1	
10	23271-48H00-000	ARM, CLUTCH RELEASE	1	
11	09103-06233-000	BOLT	1	
12	09134-06018-000	SCREW, STOP	1	
13	09140-06023-000	NUT	1	
14	09160-15045-000	WASHER, CLUTCH RELEASE THR	1	
15	09263-10023-000	BEARING, NEEDLE	1	

Fig. 17

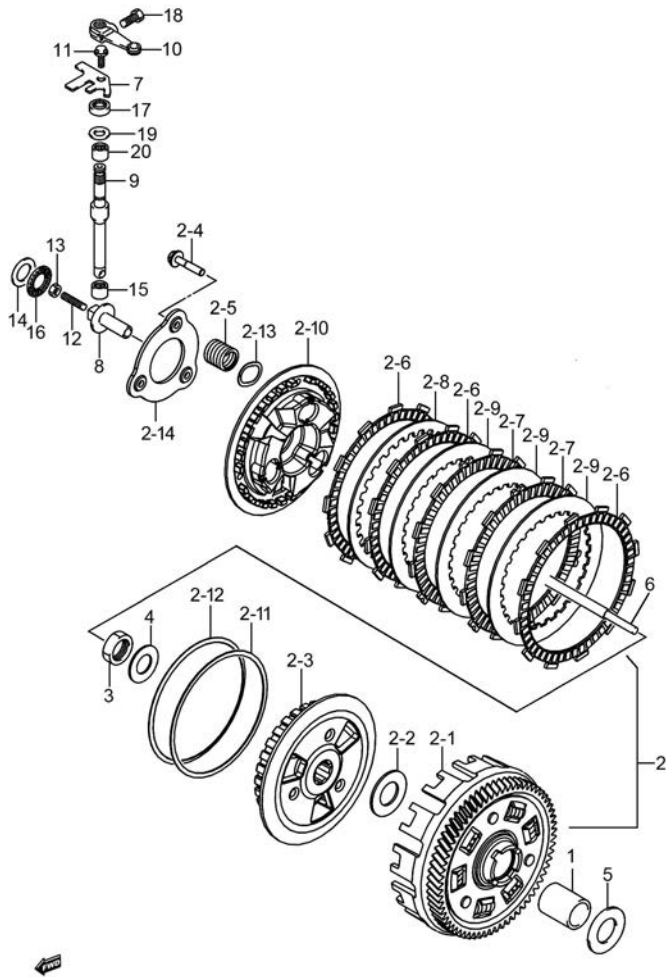


Fig.17 CLUTCH (P11-C140-0006)

REF. No.	PART No.	DESCRIPTION	Q' TY	REMARKS
16	09263-15L01-000	BEARING, NEEDLE	1	
17	09285-10L01-000	SEAL, OIL	1	
18	01500-0616A-000	HEXAGON HEAD BOLT	1	
19	09160-12119-000	WASHER, PLAIN	1	
20	09263-12028-000	BEARING, NEEDLE	1	

2

Fig. 18

2

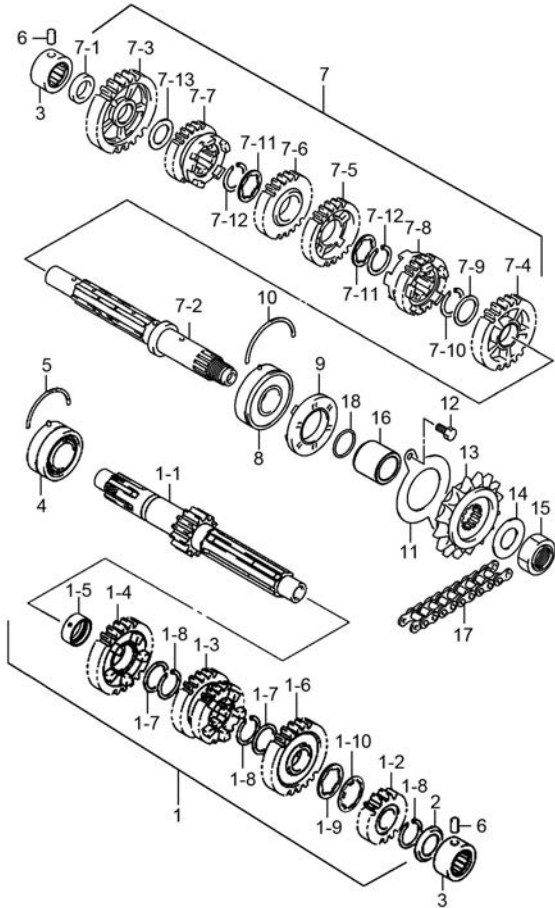


Fig.18 TRANSMISSION (P11-C150-0008)

REF. No.	PART No.	DESCRIPTION	Q' TY	REMARKS
1	24102H53010H000	SHAFT ASSY, COUNTER	1	
1-1	24120H53010H000	SHAFT COMP, COUNTER	1	
1-2	24221H53010H000	GEAR, 2ND DRIVE	1	
1-3	24231H53000H000	GEAR, 3RD & 4TH DRIVE	1	
1-4	24251H53000H000	GEAR, 5TH DRIVE	1	
1-5	24252H53000H000	BUSH, 5TH DRIVE GEAR	1	
1-6	24261H53000H000	GEAR, 6TH DRIVE	1	
1-7	09181-22017-000	WASHER	2	
1-8	09380-22016-000	RING, SNAP	3	
1-9	24232H53010H000	WASHER, SPLINE	1	
1-10	24232H53020H000	WASHER, SPLINE	1	
2	24271-48H00-000	SEAL, COUNTER SHAFT L BRG	1	
3	09263H17003H000	BEARING, NEEDLE	2	
4	09267-22001-000	BEARING	1	
5	09390-47008-000	C-RING	1	
6	04221-06129-000	DOWEL PIN	2	
7	24103H53020H000	SHAFT ASSY, DRIVE	1	
7-1	24313-48H00-000	SPACER, 1ST DRIVEN GEAR	1	
7-2	24130H53010H000	SHAFT COMP, DRIVE	1	
7-3	24310H53010H000	GEAR COMP, 1ST DRIVEN	1	
7-4	24320H53010H000	GEAR COMP, 2ND DRIVEN	1	
7-5	24331-48H00-000	GEAR, 3RD DRIVEN	1	
7-6	24341-48H00-000	GEAR, 4TH DRIVEN	1	
7-7	24351-48H00-000	GEAR, 5TH DRIVEN	1	
7-8	24361H53000H000	GEAR, 6TH DRIVEN	1	
7-9	09181-22017-000	WASHER	1	
7-10	09380-22016-000	RING, SNAP	1	
7-11	24232H53000H000	WASHER, SPLINE	2	
7-12	09380H22002H000	CIRCLIP	2	

Fig. 18

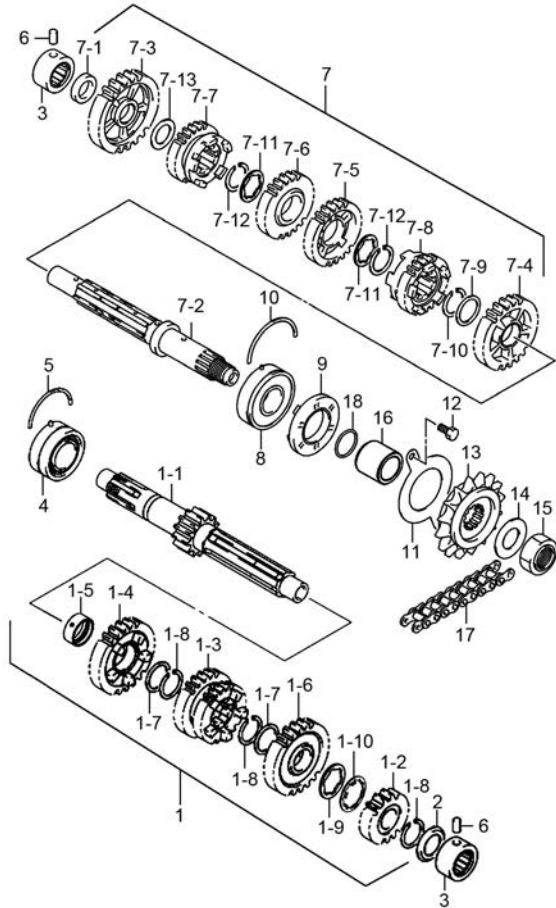


Fig.18 TRANSMISSION (P11-C150-0008)

REF. No.	PART No.	DESCRIPTION	Q' TY	REMARKS
7-13	08211-17262-000	THRUST WASHER	1	
8	09262-22039-000	BEARING	1	
9	09283-30L01-000	SEAL, OIL	1	
10	09390-56002-000	C-RING	1	
11	24741H53000H000	RETAINER, OIL SEAL	1	
12	01500-0612A-000	BOLTS, HEXAGON HEAD	2	
13	27510H53001H000	SPROCKET COMP, ENGINE	1	
14	27513-48H00-000	WASHER, ENGINE SPROCKET	1	
15	27521-48H00-000	NUT, ENGINE SPROCKET	1	
16	27531H53000H000	SPACER, ENGINE SPROCKET	1	
17	27600H3A020H118	CHAIN ASSY, DRIVE	1	
18	09280-21008-000	O RING	1	

2

Fig. 19

2

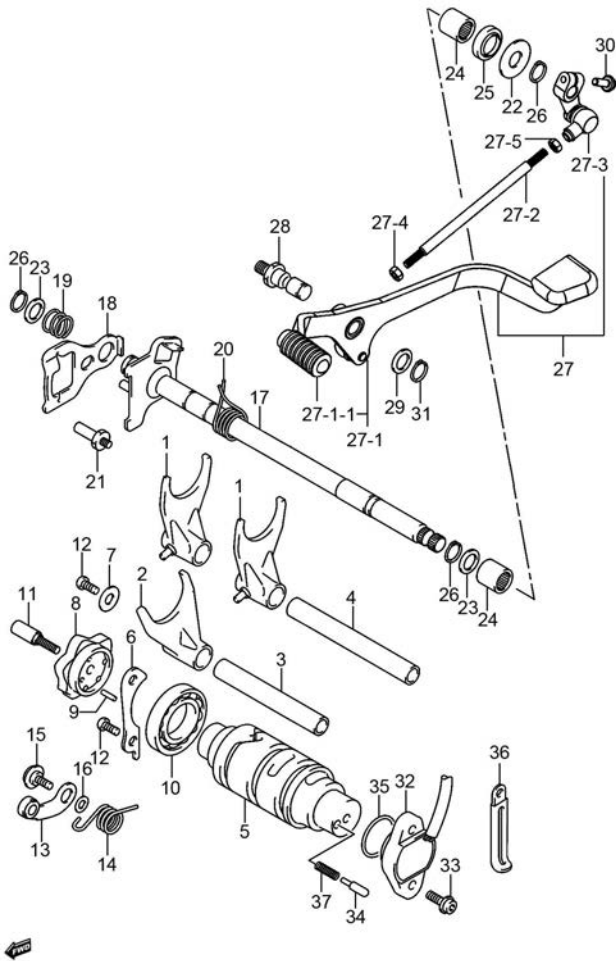


Fig.19 GEAR SHIFTING (P11-C160-0011)

REF. No.	PART No.	DESCRIPTION	Q' TY	REMARKS
1	25211-48H00-000	FORK, GEAR SHIFT NO. 1	2	
2	25221-48H00-000	FORK, GEAR SHIFT NO. 2	1	
3	25421-48H00-000	SHAFT, GEAR SHIFT FORK, NO. 2	1	
4	25411-48H00-000	SHAFT, GEAR SHIFT FORK NO. 1	1	
5	25311-48H00-000	CAM, GEAR SHIFT	1	
6	25341-48H00-000	RETAINER, SHIFT CAM BRG NO. 1	1	
7	08211-06183-000	THRUST WASHER	1	
8	25380-48H02-000	PLATE COMP, GEAR SHIFT CAM	1	
9	09261-03002-000	ROLLER	2	
10	09262-25194-000	BEARING	1	
11	25312-48H00-000	BOLT, GEAR SHIFT CAM PLATE	1	
12	02112-0612A-000	SCREW	3	
13	25350-48H00-000	STOPPER COMP, GEAR SHIFT CAM	1	
14	25355-48H00-000	SPRING, GEAR SHIFT CAM STOPPER	1	
15	09106-06131-000	BOLT	1	
16	08211-06121-000	THRUST WASHER	1	
17	25510-48H00-000	SHAFT COMP, GEAR SHIFT	1	
18	25512-48H10-000	PLATE, GEAR SHIFT CAM DRIVE	1	
19	25515-48H01-000	SPRING, GEAR SHIFT PLATE RETURN	1	
20	25518-48H00-000	SPRING, SHIFT SHAFT RETURN	1	
21	25671-16H10-000	STOPPER, GEAR SHIFT ARM	1	
22	09160-14069-000	WASHER, PLAIN	1	
23	09160-14070-000	WASHER	2	
24	09263-14035-000	BEARING, NEEDLE	2	
25	09283-14L01-000	SEAL, OIL	1	
26	08331-31149-000	CIRCLIP, KICK SHAFT	3	
27	25600H3A010H000	LEVER ASSY, GEAR SHIFT	1	
27-1	25610H3A010H000	LEVER COMP, GEAR SHIFT	1	
27-1-1	25652-49000-000	RUBBER, GEAR SHIFT PEDAL	1	

Fig. 19

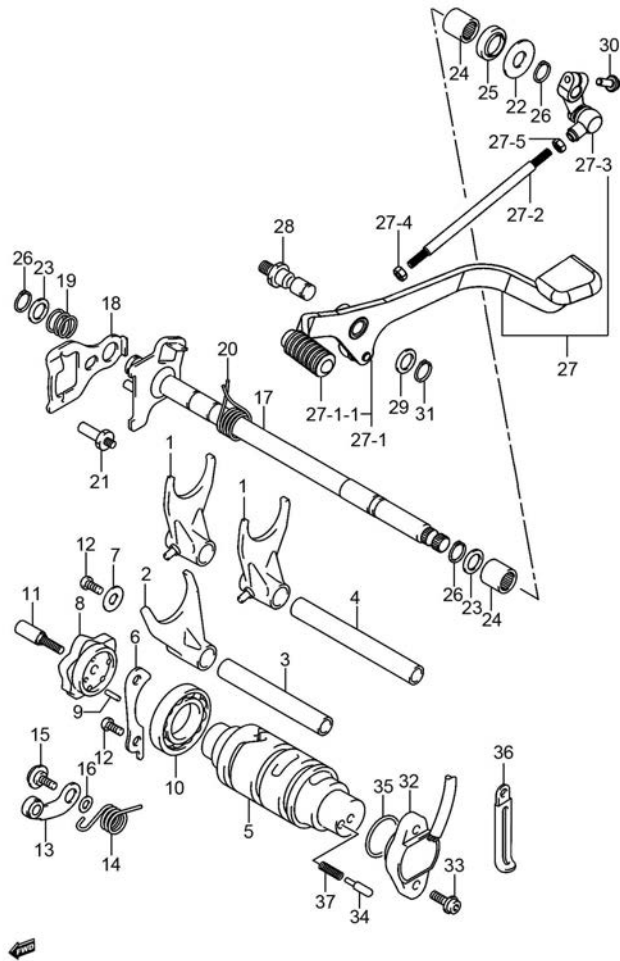


Fig.19 GEAR SHIFTING (P11-C160-0011)

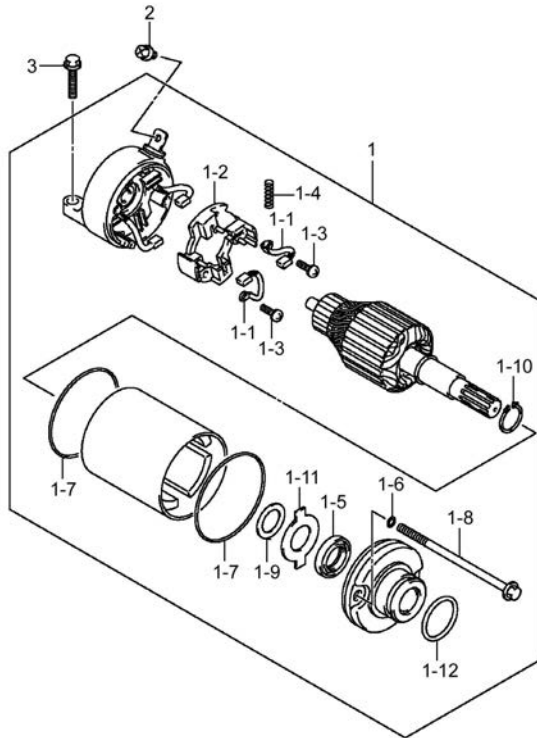
REF. No.	PART No.	DESCRIPTION	Q'TY	REMARKS
27-2	25525H3A000H000	ROD, GEAR SHIFT LINK	1	
27-3	25520H3A000H000	ARM COMP, GEAR SHIFT LINK	1	
27-4	09140-06031-000	NUT	1	
27-5	08310-0006A-000	NUT	1	
28	25617H3A000H000	SHAFT, GEAR SHIFT LEVER	1	
29	09160H12012H000	WASHER, PLAIN	1	
30	01500-0620A-000	BOLT	1	
31	08331-3112A-000	CIRCLIP	1	
32	37730H3A000H000	BASE ASSY, GEAR SHIFT TERM	1	
33	07120-0516B-000	HEXAGON SOCKET HEAD CAP SCREW	2	
34	09209-05024-000	PIN	2	
35	09280-26005-000	O-RING	1	
36	09404-06031-000	CLAMP	1	
37	09440-04010-000	SPRING	2	

2

Fig. 20

Fig.20 STARTING MOTOR (P11-C170-0002)

REF. No.	PART No.	DESCRIPTION	Q' TY	REMARKS
1	31100H48H00H000	MOTOR ASSY, STARTING	1	
1-1	31133H48H00H000	BRUSH, STARTER MOTOR, MINUS	2	
1-2	31133H48H10H000	HOLDER, BRUSH	1	
1-3	34383H48H00H000	SCREW	2	
1-4	31135H48H00H000	SPRING, STARTER MOTOR BRUSH	4	
1-5	31153H48H00H000	OIL SEAL, STARTER MOTOR	1	
1-6	31156H48H10H000	O-RING	2	
1-7	31264H48H00H000	O-RING	2	
1-8	31281H48H00H000	BOLT	2	
1-9	31362H48H00H000	SHIM	1	
1-10	31361H48H10H000	SNAP RING, STARTER MOTOR	1	
1-11	31361H48H00H000	WASHER, LOCATING	1	
1-12	09280-24003-000	O RING (D:3, ID:24.5)	1	
2	09137-05004-000	SCREW, STG MOT TERM	1	
3	01547-0625A-000	BOLT	2	



3



Fig. 21

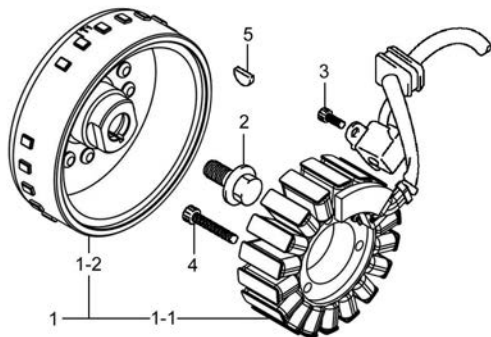


Fig.21 MAGNETO (P11-C180-0005)

REF. No.	PART No.	DESCRIPTION	Q' TY	REMARKS
1	32100H3A000H000	MAGNETO ASSY	1	
1-1	32101H3A000H000	STATOR ASSY	1	
1-2	32102-48H00-000	ROTOR ASSY	1	
2	32491-48H00-000	BOLT, MAGNETO ROTOR	1	
3	07130-0512A-000	HEXAGON SOCKET HEAD CAP SCREW	2	
4	07130-0630A-000	HEXAGON SOCKET HEAD CAP SCREW	3	
5	08341-31039-000	KEY, MAGNETO	1	

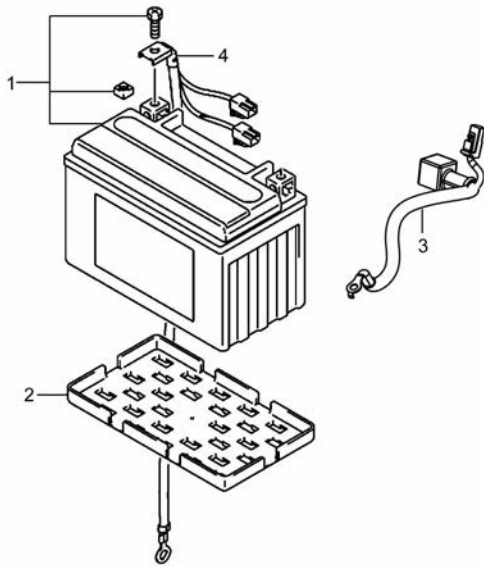
3



Fig. 22

Fig.22 BATTERY (P11-C190-0015)

REF. No.	PART No.	DESCRIPTION	Q' TY	REMARKS
1	33620H2H011H000	FILLED BATTERY ASSY	1	
2	33652-48H10-000	PROTECTOR, BATTERY	1	
3	33820H3A000H000	WIRE, BATTERY PLUS LEAD	1	
4	33860H3A000H000	WIRE, BATTERY MINUS LEAD	1	



3



Fig. 23

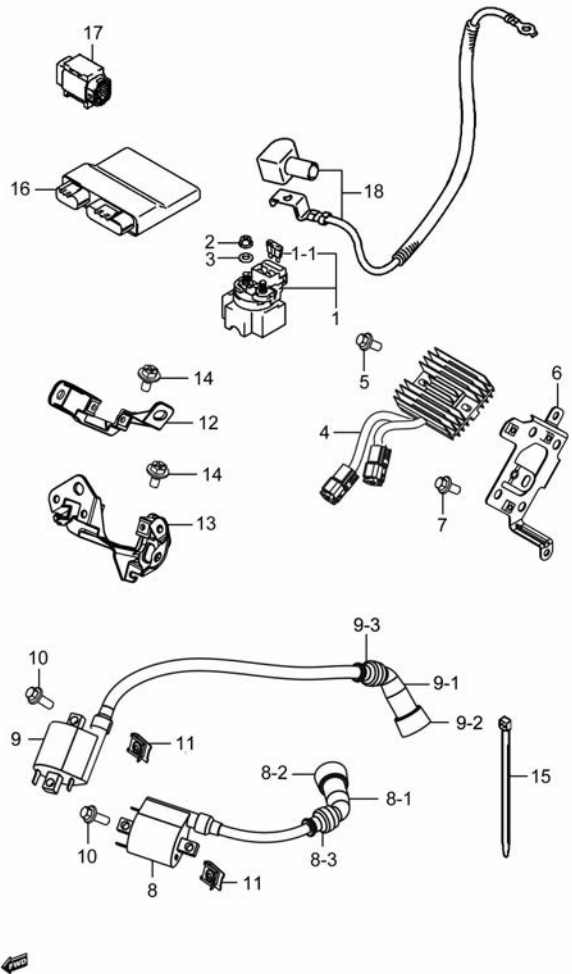


Fig.23 ELECTRICAL (P11-C200-0019)

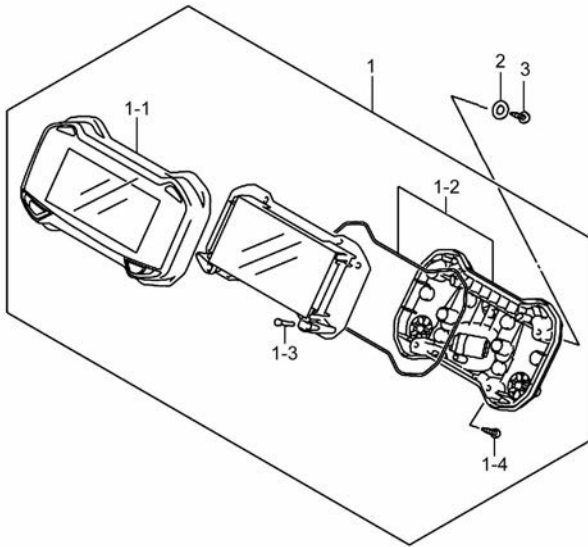
REF. No.	PART No.	DESCRIPTION	Q'TY	REMARKS
1	31800-48H01-000	RELAY ASSY, STARTING MOTOR	1	
1-1	09481-30101-000	FUSE	2	
2	08361-3506A-000	NUT	2	
3	09160-07003-000	WASHER, PLAIN	2	
4	32800H2H000H000	RECTIFIER ASSY	1	
5	01550-0620B-000	BOLT	2	
6	32830H3A000H000	BRACKET COMP, RECT FTG	1	
7	01550-0610B-000	HEXAGON BOLT WITH FLANGE	2	
8	33410H3A000H000	COIL ASSY, IGNITION	1	
8-1	33510-04H10-000	CAP, SPARK PLUG	1	
8-2	33541-38210-000	SEAL, SPARK PLUG	1	
8-3	33542H05500H000	SEAL, HIGH TENSION CORD	1	
9	33420H3A000H000	COIL ASSY, IGNITION	1	
9-1	33510-04H10-000	CAP, SPARK PLUG	1	
9-2	33541-38210-000	SEAL, SPARK PLUG	1	
9-3	33542H05500H000	SEAL, HIGH TENSION CORD	1	
10	01550-0520A-000	BOLTS, HEXAGON HEAD FLANGE	4	
11	09148-05L01-000	NUT	4	
12	33414H3A000H000	BRACKET, IGNITION COIL	1	
13	33424H3A000H000	BRACKET, IGNITION COIL	1	
14	09111-06106-000	BOLT	4	
15	09407-18402-000	CLAMP, FUEL FILTER NO. 2	1	
16	32920H3A000H000	CONTROL UNIT, FI	1	
17	33960H37500H000	SENSOR ASSY, FUEL CUT	1	
18	33810H3A000H000	WIRE, STARTER MOTOR LEAD	1	

3

Fig. 24

Fig.24 SPEEDOMETER (P11-C210-0013)

REF. No.	PART No.	DESCRIPTION	Q' TY	REMARKS
1	34100H3A000H000	SPEEDOMETER ASSY	1	
1-1	34150H28F00H000	SPEEDOMETER UPPER CASE	1	
1-2	34111H2K000H000	CASE, SPEEDOMETER, LOWER	1	
1-3	34124-20K00-000	KNOB, SPEEDOMETER	2	
1-4	34383-10B00-000	SCREW	6	
2	09160-04026-000	GASKET	1	
3	03541-0416A-000	CROSS RECESSED HEAD TAPPING SCREW	1	

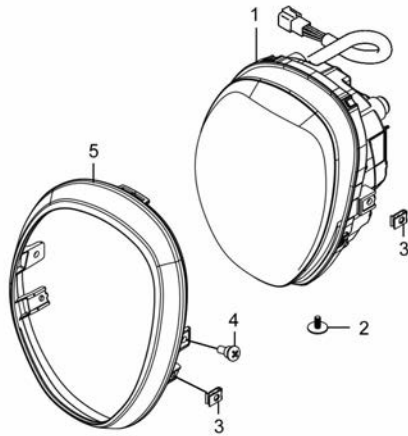


3

Fig. 25

Fig.25 HEADLAMP (P11-C220-0014)

REF. No.	PART No.	DESCRIPTION	Q' TY	REMARKS
1	35100H3A010H000	HEADLAMP ASSY	1	
2	09136-05051-000	SCREW	1	
3	09148-05L01-000	NUT	4	
4	35181-45F10-000	SCREW, HEADLAMP	2	
5	35111H3A000H000	RIM, HEADLAMP	1	



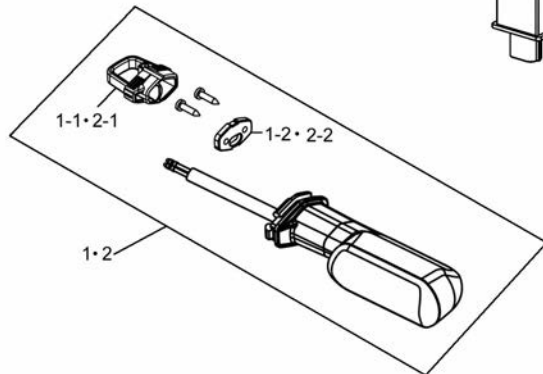
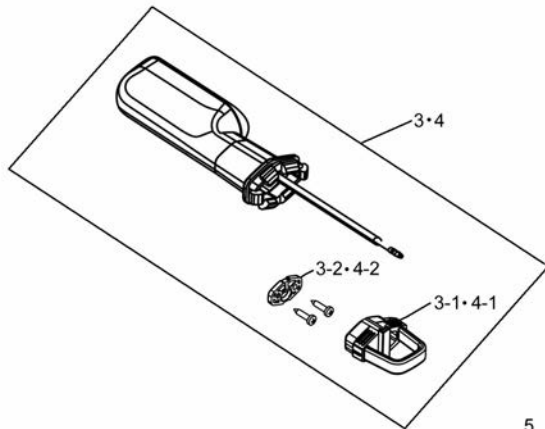
3



Fig. 26

Fig.26 TURN SIGNAL LAMP (P11-C230-0014)

REF. No.	PART No.	DESCRIPTION	Q'TY	REMARKS
1	35601H3A001H000	LAMP ASSY, FRONT TURNSIGNAL, R	1	
1-1	35621H7W100H000	STAY, FRONT TURNSIGNAL	1	
1-2	35629H7W100H000	PLATE, FRONT TURNSIGNAL	1	
2	35602H3A001H000	LAMP ASSY, FRONT TURNSIGNAL, L	1	
2-1	35621H7W100H000	STAY, FRONT TURNSIGNAL	1	
2-2	35629H7W100H000	PLATE, FRONT TURNSIGNAL	1	
3	35603H3A001H000	LAMP ASSY, REAR TURNSIGNAL, R	1	
3-1	35621H7W100H000	STAY, FRONT TURNSIGNAL	1	
3-2	35629H7W100H000	PLATE, FRONT TURNSIGNAL	1	
4	35604H3A001H000	LAMP ASSY, REAR TURNSIGNAL, L	1	
4-1	35621H7W100H000	STAY, FRONT TURNSIGNAL	1	
4-2	35629H7W100H000	PLATE, FRONT TURNSIGNAL	1	
5	38610H2J001H000	RELAY ASSY, TURNSIGNAL	1	



3

Fig. 27

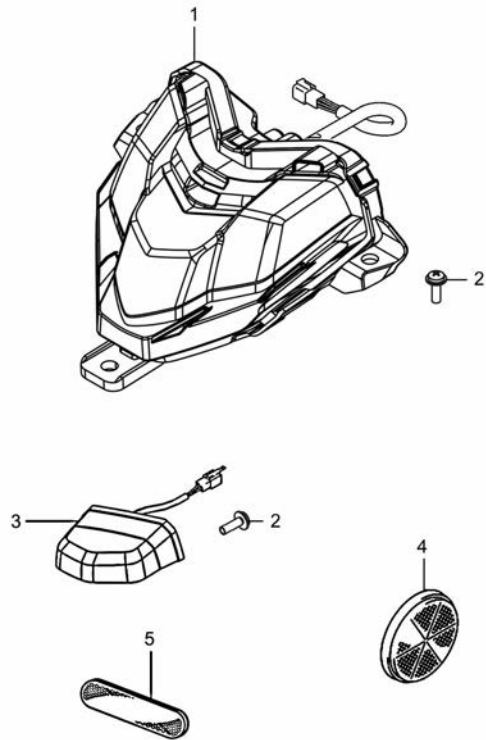


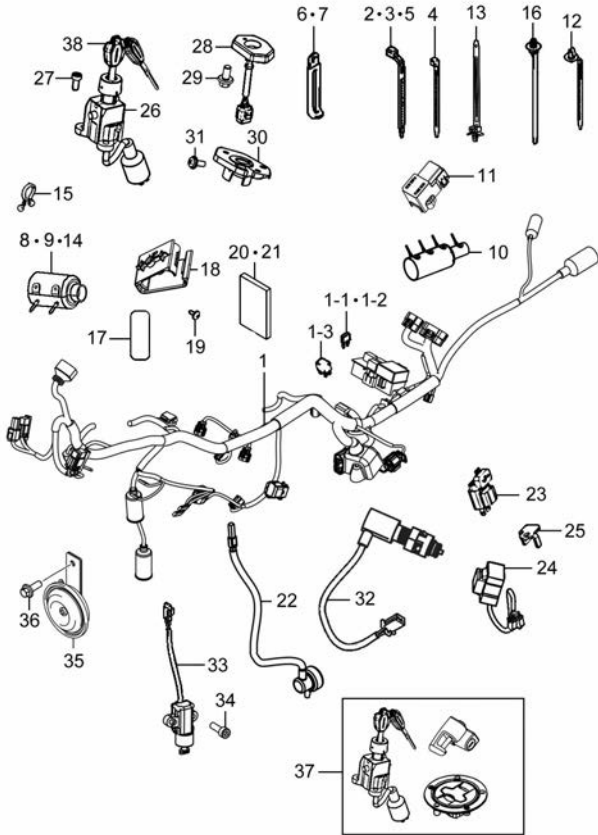
Fig.27 REAR COMBINATION LAMP (P11-C240-0010)

REF. No.	PART No.	DESCRIPTION	Q'TY	REMARKS
1	35710H3A000H000	LAMP ASSY, REAR COMB	1	
2	09136H04003H000	SCREW WITH WASHER	5	
3	35910H2J002H000	LAMP ASSY, LICENSE	1	
4	35950H2J001H000	REFLEX REFLECTOR ASSY, SIDE	2	
5	35970H2C001H000	REFLEX REFLECTOR ASSY, REAR	1	

3

Fig. 28

Fig.28 WIRING HARNESS (P11-C250-0031)



REF. No.	PART No.	DESCRIPTION	Q' TY	REMARKS
1	36610H3A000H000	HARNESS WIRING	1	
1-1	09481-10504-000	FUSE	5	10A
1-2	09481-15504-000	FUSE	3	15A
1-3	38860-42J00-000	RELAY ASSY	3	
2	09407-18402-000	CLAMP, FUEL FILTER NO. 2	7	L=165
3	09407-14403-000	CLAMP, FUEL HOSE	6	L=125
4	36990-32G40-000	CLAMP, WIRING HARNESS	5	L=202
5	36990-32G00-000	CLAMP, WIRING HARNESS	3	L=205
6	09404-06031-000	CLAMP	4	L=60
7	09404-06038-000	CLAMP	1	L=80
8	36618H79201H000	BOOT, WIRING HARNESS	1	D=50
9	36618H2A000H000	BOOT, WIRING HARNESS	1	D=60
10	36618H3A020H000	BOOT, CONNECTOR	1	
11	36743H2H001H000	COVER, FUSE WATERPROOF	1	
12	36651H2H010H000	CLAMP, WIRING HARNESS	1	
13	36651-12F10-000	CLAMP	2	
14	36618H2D000H000	PROTECTOR, WIRING HARNESS	1	D=40
15	09408-00021-000	CLAMP	1	
16	36990H2J000H000	CLAMP, SEAT LOCK CABLE	2	
17	58521H2H002H000	TAPE, CABLE	1	
18	36656H3A000H000	BRACKET, WIRING HARNESS	1	
19	92125-33G00-000	SCREW, LID INNER COVER	1	
20	33652-33G40-000	PROTECTOR, BATTERY	1	80*40
21	33652-08410-000	CUSHION, FRONT BOX	5	60*45
22	36851H3A000H000	WIRE, OIL PRESSUER SWITCH LEAD	1	
23	39410H2H010H000	TERMINAL, POWER SOURCE	1	
24	39420H7U011H000	CHARGER ASSY, USB	1	
25	39411H2H001H000	BRACKET, POWER SOURCE TERMINAL	1	
26	37100H2H010H000	LOCK ASSY, STEERING	1	

Fig. 28

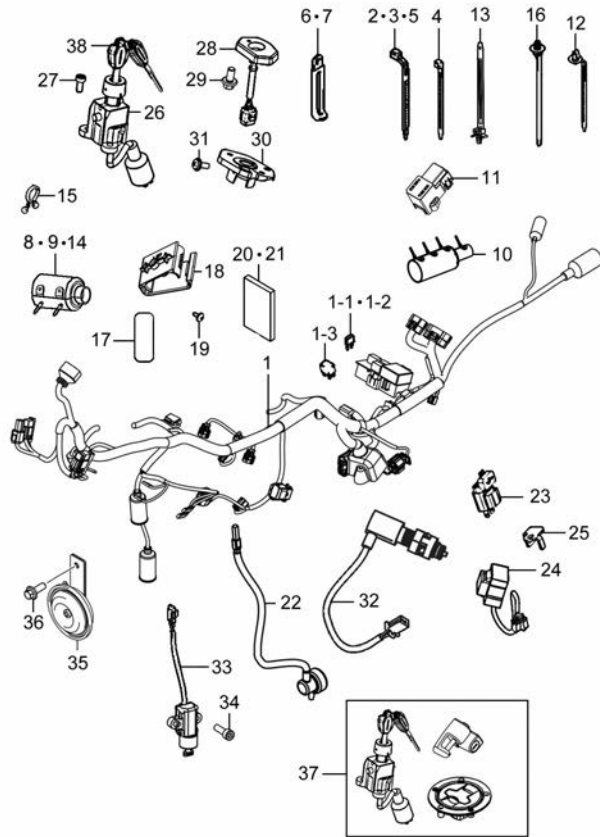


Fig.28 WIRING HARNESS (P11-C250-0031)

REF. No.	PART No.	DESCRIPTION	Q' TY	REMARKS
27	37152-20K00-000	BOLT, STEERING LOCK	2	
28	37180-20K30-000	ANTENNA ASSY, IMMOBILIZER	1	
29	01547-0512B-000	BOLTS, HEXAGON HEAD FLANGE	2	
30	37155H2J000H000	CAP, STEERING LOCK	1	
31	02112-1610A-000	CROSS RECESSED HEAD SCREW	1	
32	37740H3A000H000	SWITCH ASSY, STOP LAMP	1	
33	37840H3A000H000	SWITCH ASSY, SIDE STAND	1	
34	09106H05005H000	BOLT	2	
35	38500H2H020H000	HORN ASSY	1	
36	01550-0612A-000	BOLT	2	
37	37011H2H030H000	LOCK SET, STEERING	1	
38	37146H2H010H000	KEY, BLANK	1	

3



Fig. 29

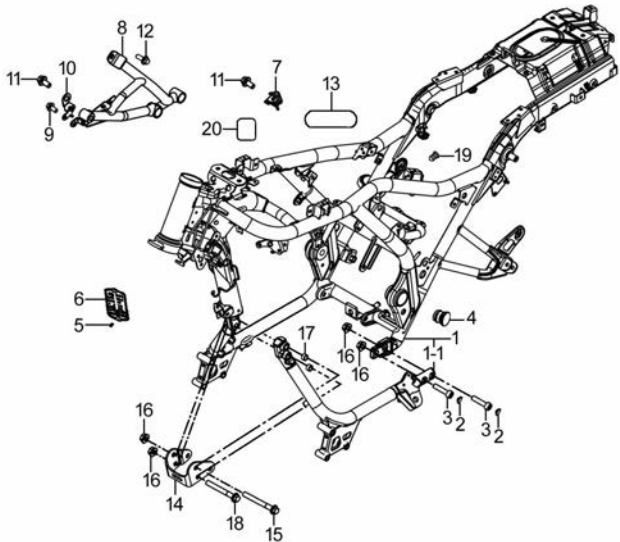


Fig.29 FRAME (P11-C260-0036)

REF. No.	PART No.	DESCRIPTION	Q' TY	REMARKS
1	41100H3A001H000	FRAME COMP	1	
1-1	41170H3A000H000	TUBE COMP, FRAME LOWER, L	1	
2	41498-48H00-000	PLUG	2	
3	09106-10068-000	BOLT	2	
4	41757H3A000H000	PLUG, TUBE	2	
5	68389-45F00-000	RIVET	2	
6	68311H30180H000	PLATE, LICENSE	1	
7	41291H3A001H000	PLATE, AIR CLEANER	1	
8	43810H3A000H000	BRACKET COMP, MUFFLER SPRT BOSS	1	
9	09103H10026H000	BOLT	1	
10	41965H3A000H000	PLATE, FRAME COVER LOWER	1	
11	01550-0612A-000	BOLT	2	
12	09103H08027H000	BOLT, HEXAGON	1	
13	41152H3A002H000	PROTECTOR, FRAME BODY	2	
14	41992H3A000H000	BRACKET, ENG MTG LOWER	1	
15	09103H10021H000	BOLT, HEXAGON	1	
16	08319-3110B-000	NUT	4	
17	09180H10018H000	SPACER	2	
18	09103H10024H000	BOLT, HEXAGON	1	
19	41757H3A010H000	PLUG, TUBE	1	
20	58521H2K000H000	TAPE, HOSE	2	

4

Fig. 30

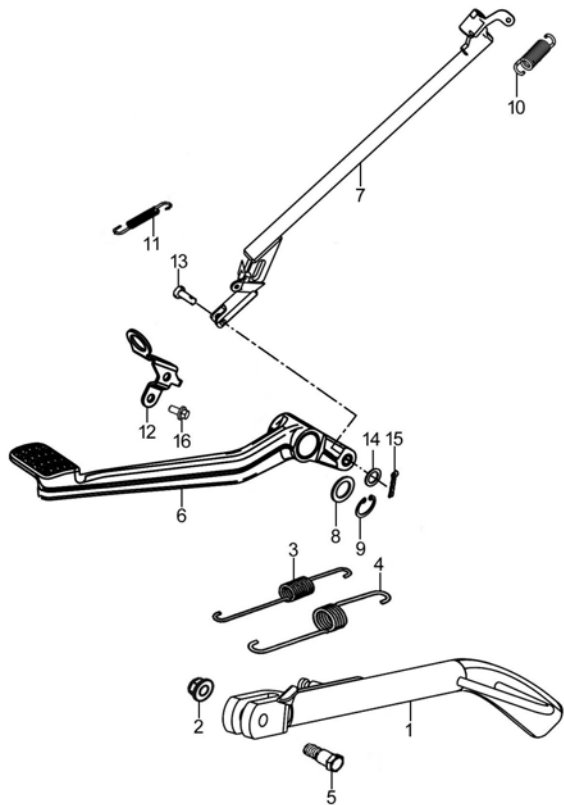


Fig.30 STAND (P11-C270-0019)

REF. No.	PART No.	DESCRIPTION	Q'TY	REMARKS
1	42310H3A000H000	STAND COMP, PROP	1	
2	09159H10006H000	NUT	1	
3	42421-48H00-000	SPRING, PROP STAND	1	
4	42422-48H00-000	SPRING, PROP STAND OUTER	1	
5	09111H10012H000	BOLT	1	
6	43110H3A000H000	PEDAL COMP, BRAKE	1	
7	43310H3A000H000	ROD COMP, REAR BRAKE	1	
8	09160-18040-000	WASHER	1	
9	08331-3118A-000	CIRCLIP	1	
10	09443-11033-000	SPRING, TENSION	1	
11	09443H06005H000	SPRING, TENSION	1	
12	41577H3A000H000	BRACKET, SWITCH, REAR BRAKE	1	
13	09200H06006H000	PIN WITH HOLE	1	
14	08322-0106A-000	WASHER, PLAIN	1	
15	04111-2015A-000	COTTER PIN	1	
16	09103H06078H000	BOLT	1	

4



Fig. 31

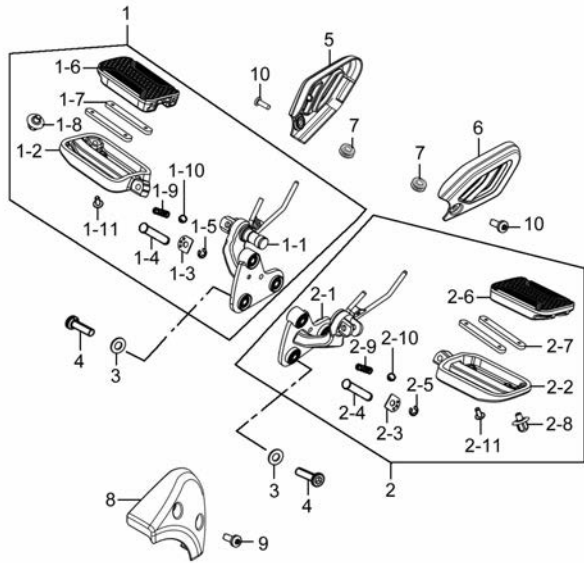
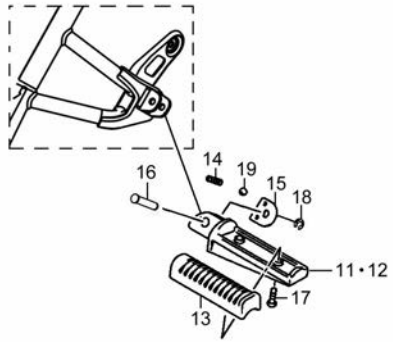


Fig.31 FOOTREST (P11-C280-0017)

REF. No.	PART No.	DESCRIPTION	Q' TY	REMARKS
1	43501H3A000H000	FOOTREST ASSY, FRONT, R	1	
1-1	43510H3A000H000	BRACKET COMP, FR FOOTREST, R	1	
1-2	43571H3A000H000	BOARD, FRONT FOOTREST, R	1	
1-3	43516H3A000H000	HOLDER, FRONT FOOTREST	1	
1-4	09208H08003H000	PIN	1	
1-5	08332-1106A-000	E-RING	1	
1-6	43551H3A000H000	RUBBER, FRONT FOOTREST	1	
1-7	43535H3A000H000	STOPPER, FOOTREST RUBBER	2	
1-8	43576H3A000H000	SENSOR, FOOTREST	1	
1-9	09440-05003-000	SPRING, KICK STARTER LEVER	1	
1-10	06112-07004-000	BALL, KICK STARTER LEVER	1	
1-11	02142-0514A-000	CROSS RECESSED HEAD SCREW	4	
2	43502H3A000H000	FOOTREST ASSY, FRONT, L	1	
2-1	43520H3A000H000	BRACKET COMP, FR FOOTREST, L	1	
2-2	43581H3A000H000	BOARD, FRONT FOOTREST, L	1	
2-3	43516H3A000H000	HOLDER, FRONT FOOTREST	1	
2-4	09208H08003H000	PIN	1	
2-5	08332-1106A-000	E-RING	1	
2-6	43551H3A000H000	RUBBER, FRONT FOOTREST	1	
2-7	43535H3A000H000	STOPPER, FOOTREST RUBBER	2	
2-8	43576H3A000H000	SENSOR, FOOTREST	1	
2-9	09440-05003-000	SPRING, KICK STARTER LEVER	1	
2-10	06112-07004-000	BALL, KICK STARTER LEVER	1	
2-11	02142-0514A-000	CROSS RECESSED HEAD SCREW	4	
3	09320H12012H000	CUSHION	6	
4	09139H08004H000	SCREW	6	
5	43572H3A000H000	DEFENCE, FRONT FOOTREST GUARD, R	1	
6	43582H3A000H000	DEFENCE, FRONT FOOTREST GUARD, L	1	
7	09320H06005H000	CUSHION	2	

4

Fig. 31

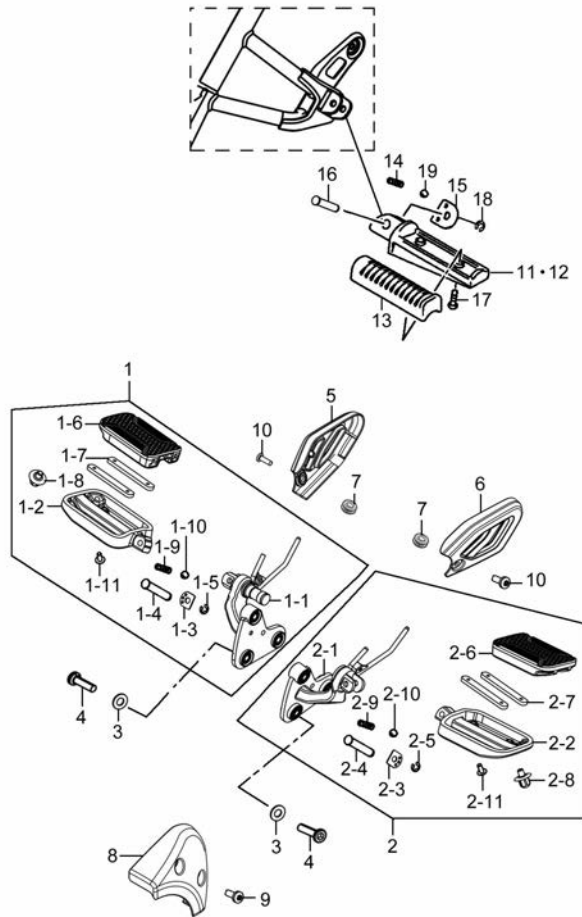


Fig.31 FOOTREST (P11-C280-0017)

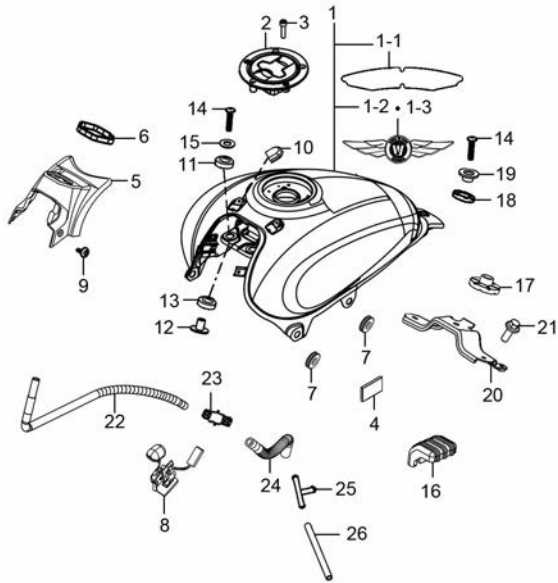
REF. No.	PART No.	DESCRIPTION	Q' TY	REMARKS
8	43583H3A000H000	COVER, FRONT FOOTREST, L	1	
9	09139H06046H000	SCREW	2	
10	09139H05009H000	SCREW	2	
11	43610-45F00-000	BAR, PILLION FOOTREST, R	1	
12	43710-45F00-000	BAR, PILLION FOOTREST, L	1	
13	43550-45F00-000	RUBBER COMP, PILLION FOOTREST	2	
14	43613-45F00-000	SPRING, PILLION FOOTREST	2	
15	43614H3A000H000	PLATE, FOOTREST STOP	2	
16	09208H08003H000	PIN	2	
17	02112-0514A-000	CROSS RECESSED HEAD SCREW	4	
18	08332-1106A-000	E-RING	2	
19	06111-08004-000	BALL, STEERING, UPPER	2	

4

Fig. 32

Fig.32 FUEL TANK (P11-C290-0025)

REF. No.	PART No.	DESCRIPTION	Q' TY	REMARKS
1	44011H3A020H517	TANK COMP SET, FUEL (Pearl Nebular black)	1	
1	44011H3A020H511	TANK COMP SET, FUEL (MATTE BLACK)	1	
1	44011H3A020H612	TANK COMP SET, FUEL (BLUE)	1	
1	44011H3A020H128	TANK COMP SET, FUEL (RED)	1	
1-1	44283H3A001H000	PROTECTOR, FUEL TANK NO. 1	1	
1-2	68111H3A000H000	EMBLEM, FUEL TANK, R	1	
1-3	68121H3A000H000	EMBLEM, FUEL TANK, L	1	
2	44200H2J010H000	CAP ASSY, FUEL TANK FILLER	1	
3	44211-48H00-000	BOLT, FUEL TANK FILLER CAP	3	
4	44256H12910H000	SEPARATOR	1	
5	44196H3A000H000	COVER, STEERING LOCK	1	
6	37187H2H000H000	PROTECTOR, IGNITION SW	1	
7	09320-08513-000	CUSHION	4	
8	34810H3A000H000	GAUGE ASSY, FUEL LEVEL SENDER	1	
9	09139H05012H000	SCREW	2	
10	62478H37200H000	BUSH, RUBBER	2	
11	44511H2J001H000	CUSHION, FUEL TANK FRONT LWR	2	
12	44512-20K00-000	SPACER, FUEL TANK FRONT	2	
13	44515H2J000H000	CUSHION, FUEL TANK FRONT UPR	2	
14	44513-48H10-000	BOLT	3	
15	44262-20K00-000	WASHER, FUEL TANK FRONT	2	
16	44541H3A000H000	CUSHION, FUEL TANK SIDE	2	
17	44542H3A001H000	CUSHION, FUEL TANK REAR LOWER	1	
18	44511-20K01-000	CUSHION, FUEL TANK FRONT LWR	1	
19	44512-48H00-000	SPACER, FUEL TANK FRONT	1	
20	44151H3A000H000	PLATE, FUEL TANK REAR	1	
21	01550-0616A-000	BOLT	2	

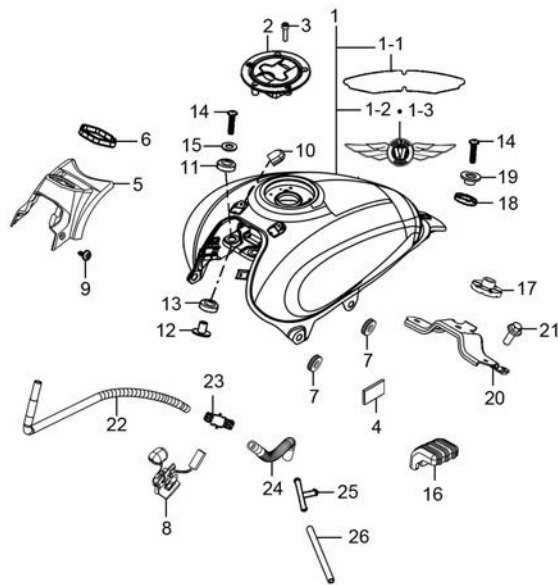


4

Fig. 32

Fig.32 FUEL TANK (P11-C290-0025)

REF. No.	PART No.	DESCRIPTION	Q' TY	REMARKS
22	44423H3A000H000	HOSE, FUEL TANK DRAIN, NO. 1	1	
23	09367H07001H000	JOINT, HOSE	1	
24	44424H3A000H000	HOSE, FUEL TANK DRAIN, NO. 3	1	
25	44438-48H10-000	JOINT, 3 WAY	1	
26	44424H2H000H000	HOSE, FUEL TANK DRAIN, NO. 2	1	

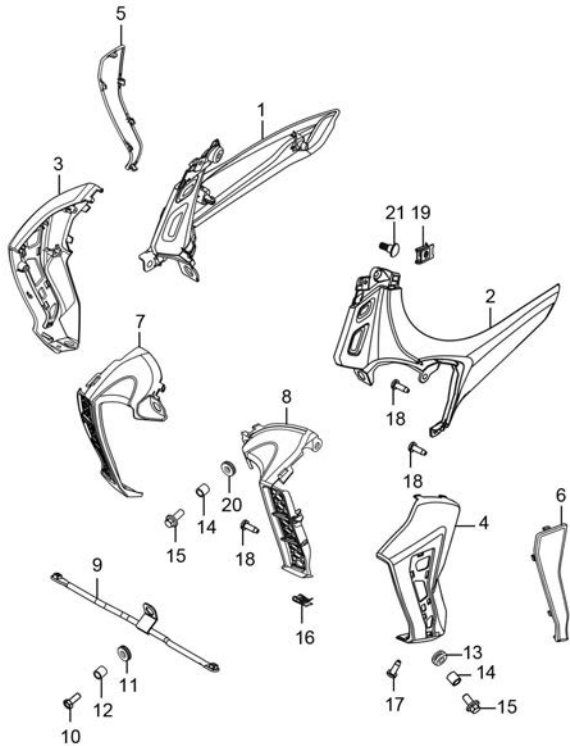


4

Fig. 33

Fig.33 LEG SHIELD (P11-C305-0004)

REF. No.	PART No.	DESCRIPTION	Q' TY	REMARKS
1	44192H3A000H000	COVER, FUEL TANK, R	1	
2	44193H3A000H000	COVER, FUEL TANK, L	1	
3	44272H3A000H511	COVER, FUEL TANK LOWER, R (MATTE BLACK)	1	
4	44282H3A000H511	COVER, FUEL TANK LOWER, L (MATTE BLACK)	1	
5	44172H3A000H000	LID, FUEL TANK LOWER, R	1	
6	44182H3A000H000	LID, FUEL TANK LOWER, L	1	
7	44174H3A000H000	LID, FUEL TANK FRONT, R	1	
8	44184H3A000H000	LID, FUEL TANK FRONT, L	1	
9	44150H3A000H000	BRACKET COMP, FRONT SIDE COVER	1	
10	09116-06211-000	BOLT, LEG REAR	1	
11	09320-08051-000	CUSHION, MUF COVER	1	
12	09180-06256-000	SPACER	1	
13	09320-09016-000	CUSHION, CYL COWLING	2	
14	09180-06263-000	SPACER, CYL COWLING (L9)	4	
15	09116-06111-000	BOLT WITH WASHER	4	
16	09148-05077-000	NUT	2	
17	03241-0512B-000	SCREW	2	
18	92125-33GC0-000	SCREW, LID INNER COVER	6	
19	09148-05L08-000	NUT	2	
20	09320H09010H000	CUSHION	2	
21	09139H05009H000	SCREW	2	



4

Fig. 34

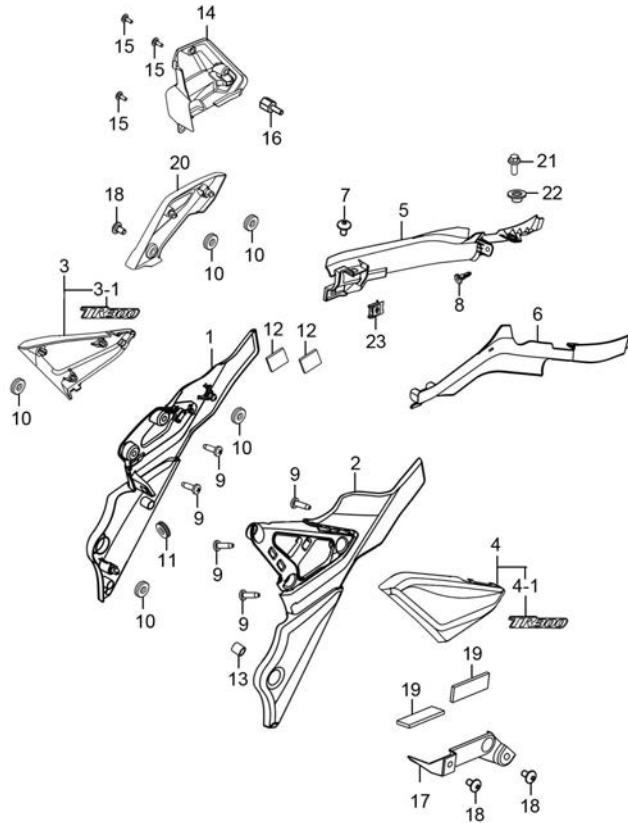


Fig.34 FRAME COVER (P11-C310-0034)

REF. No.	PART No.	DESCRIPTION	Q' TY	REMARKS
1	47111H3A000H000	COVER, FRAME, R	1	
2	47211H3A000H000	COVER, FRAME, L	1	
3	47011H3A020HF01	L I D SET, FRAME COVER, R (BLACK)	1	
3	47011H3A020HF02	L I D SET, FRAME COVER, R (MATTE BLACK)	1	
3	47011H3A020HF03	L I D SET, FRAME COVER, R (BLUE)	1	
3	47011H3A020HF04	L I D SET, FRAME COVER, R (RED)	1	
3-1	68130H3A000HUK1	NAME TAPE, FRAME COVER (UK1)	1	
4	47021H3A020HF01	L I D SET, FRAME COVER, L (BLACK)	1	
4	47021H3A020HF02	L I D SET, FRAME COVER, L (MATTE BLACK)	1	
4	47021H3A020HF03	L I D SET, FRAME COVER, L (BLUE)	1	
4	47021H3A020HF04	L I D SET, FRAME COVER, L (RED)	1	
4-1	68130H3A000HUK1	NAME TAPE, FRAME COVER (UK1)	1	
5	47217H3A000H000	COVER, SHADE L I G H T, R	1	
6	47218H3A001H000	COVER, SHADE L I G H T, L	1	
7	09139H06009H000	SCREW	2	
8	48292-32GH0-000	CL I P	2	
9	09136H04003H000	SCREW WITH WASHER	5	
10	09320-08513-000	CUSH I O N	10	
11	47312H02100H000	RUBBER CUSH I O N	2	
12	47352-20K01-000	FASTENER	4	
13	47112-21K00-000	CUSH I O N, COVER FRONT NO. 3	4	
14	47121H3A000H000	COVER, FRAME FRONT, R	1	
15	09139H05016H000	SCREW	3	
16	94577H12E00H000	BOLT, COWLING BRACKET	1	
17	47221H3A000H000	COVER, FRAME FRONT, L	1	

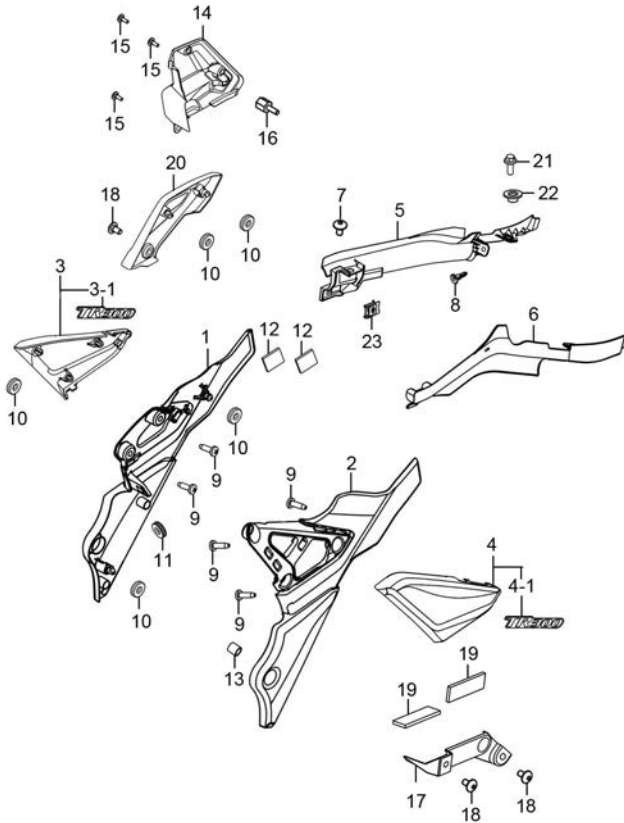
4



Fig. 34

Fig.34 FRAME COVER (P11-C310-0034)

REF. No.	PART No.	DESCRIPTION	Q' TY	REMARKS
18	09139H06024H000	SCREW	3	
19	47321H3A000H000	CUSHION	2	
20	47131H3A000H000	COVER, FRAME REAR, R	1	
21	01550-0616A-000	BOLT	2	
22	09180H06034H000	SPACER	2	
23	09148-05L01-000	NUT	1	



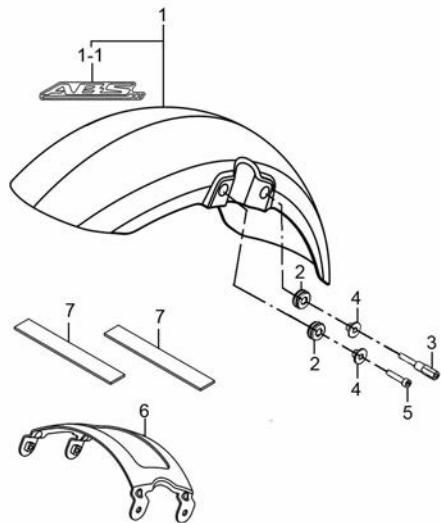
4



Fig. 35

Fig.35 FRONT FENDER (P11-C320-0013)

REF. No.	PART No.	DESCRIPTION	Q'TY	REMARKS
1	53011H3A000HF01	FENDER SET, FRONT (BLACK)	1	
1	53011H3A000HF02	FENDER SET, FRONT (MATTE BLACK)	1	
1	53011H3A000HF03	FENDER SET, FRONT (BLUE)	1	
1	53011H3A000HF04	FENDER SET, FRONT (RED)	1	
1-1	68151H2H010HSIL	EMBLEM, ABS (SIL)	1	
2	09320-08047-000	CUSHION, SEAT TAIL COVER FRONT	4	
3	09119H06003H000	BOLT	2	
4	09180H06049H000	SPACER	4	
5	07130-0630A-000	HEXAGON SOCKET HEAD CAP SCREW	2	
6	53112H3A000H000	BRACE, FRONT FENDER	1	
7	53145H3A000H000	CUSHION, FRONT FENDER	2	



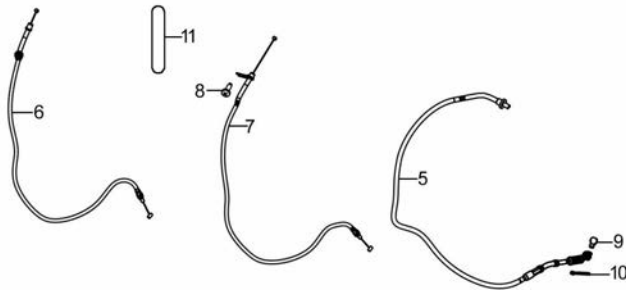
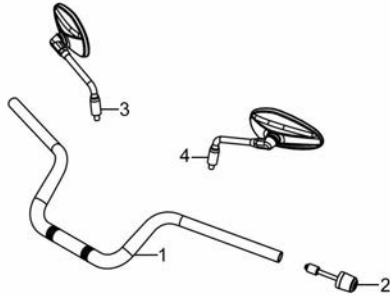
4



Fig. 36

Fig.36 HANDLEBAR (P11-C330-0021)

REF. No.	PART No.	DESCRIPTION	Q' TY	REMARKS
1	56111H3A000H000	HANDLEBAR	1	
2	56270H3A000H000	BALANCER ASSY, HANDLEBAR	2	
3	56500H3A000H000	MIRROR ASSY, REAR VIEW, R	1	
4	56600H3A000H000	MIRROR ASSY, REAR VIEW, L	1	
5	58200H3A000H000	CABLE ASSY, CLUTCH	1	
6	58310H3A000H000	CABLE ASSY, THROTTLE, NO. 1	1	
7	58320H3A000H000	CABLE ASSY, THROTTLE, NO. 2	1	
8	02142-0510B-000	CROSS RECESSED HEAD SCREW	1	
9	09200-06071-000	PIN WITH HOLE	1	
10	04111-2015A-000	COTTER PIN	1	
11	58521H3A000H000	TAPE, CABLE	1	



4



Fig. 37

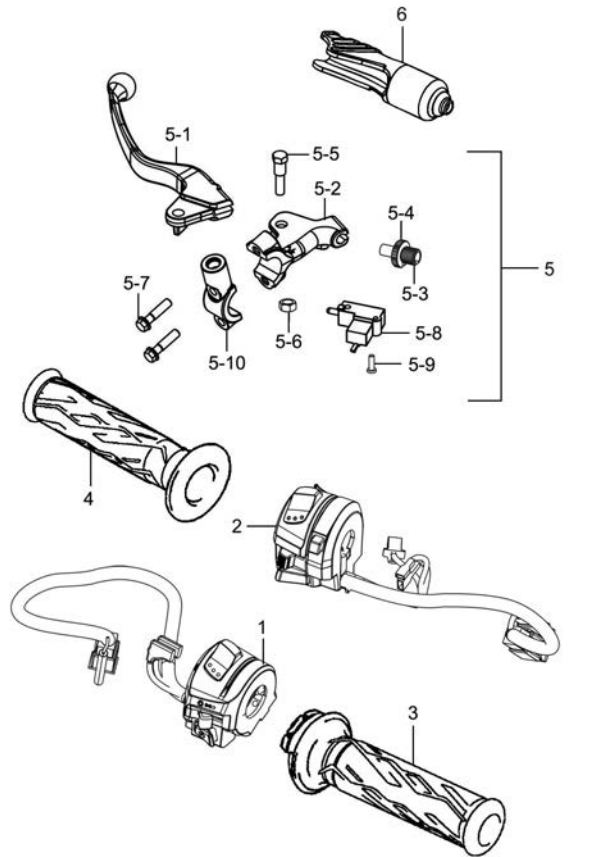


Fig.37 HANDLE SWITCH (P11-C340-0015)

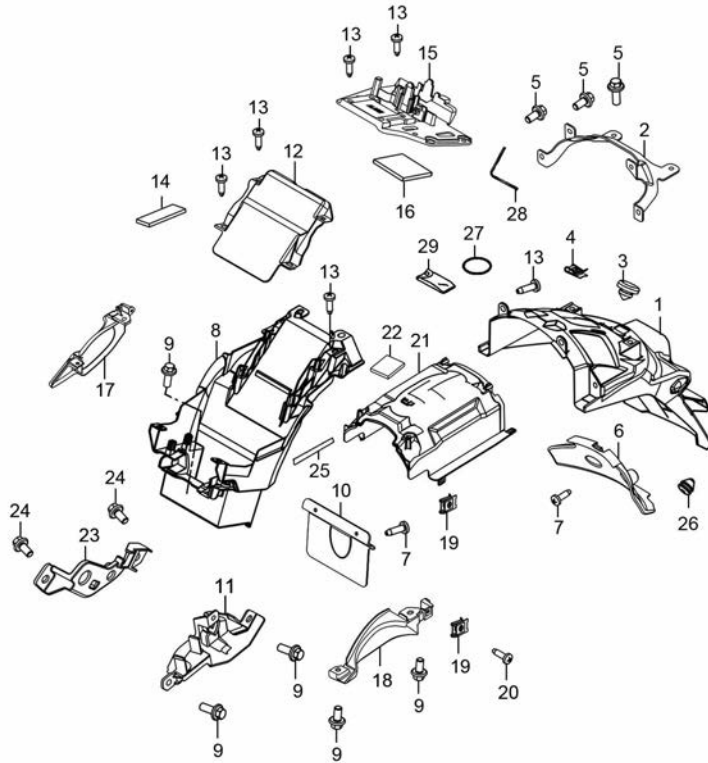
REF. No.	PART No.	DESCRIPTION	Q'TY	REMARKS
1	37200H3A000H000	SWITCH ASSY, HANDLE, R	1	
2	37400H3A000H000	SWITCH ASSY, HANDLE, L	1	
3	57110-48H01-000	GRIP COMP, THROTTLE	1	
4	57211-48H01-000	GRIP, L	1	
5	57500H3A042H000	LEVER ASSY, CLUTCH & SWITCH	1	
5-1	57621H3A050H000	LEVER, CLUTCH	1	
5-2	57511H3A000H000	HOLDER, CLUTCH	1	
5-3	57441H3A000H000	ADJUSTER, WIRE	1	
5-4	57442H3A001H000	NUT, LOCK	1	
5-5	57431H3A030H000	BOLT LEVER SET	1	
5-6	08319-2106A-000	U-NUT	1	
5-7	01547-0625B-000	BOLT	2	
5-8	57560-48H00-000	SWITCH ASSY, CLUTCH	1	
5-9	02122-0320A-000	CROSS RECESSED HEAD SCREW	1	
5-10	59671H3A001H000	HOLDER	1	
6	57661H2C100H000	COVER, CLUTCH LEVER	1	

4

Fig. 38

Fig.38 REAR FENDER (P11-C350-0016)

REF. No.	PART No.	DESCRIPTION	Q' TY	REMARKS
1	63111H3A000H000	FENDER, REAR	1	
2	63121H3A000H000	BRACKET, REAR FENDER	1	
3	09321H09002H000	CUSHION	1	
4	35157H22501H000	NUT	2	
5	01550-0616A-000	BOLT	6	
6	63151H3A000H000	INNER SCALEBOARD, REAR FENDER	1	
7	03541-0516A-000	CROSS RECESSED HEAD TAPPING SCREW	4	
8	63112H3A000H000	BODY, REAR FENDER, FRONT	1	
9	09111-06106-000	BOLT	8	
10	63325H3A000H000	FENDER, MOVABLE BACK	1	
11	63124H3A000H000	BRACKET, ELECTRIC PARTS	1	
12	92311H3A000H000	COVER, ECU UNIT	1	
13	35151-21J00-000	SCREW, HEADLAMP	12	
14	45146H3A000H000	CUSHION	2	
15	48125H3A000H000	LID, BATTERY BOX	1	
16	33652H79201H000	PROTECTOR, BATTERY	1	
17	63115H3A000H000	COVER, REAR FENDER, R	1	
18	63125H3A000H000	COVER, REAR FENDER, L	1	
19	09148-05077-000	NUT	4	
20	03241-0512A-000	CROSS RECESSED HEAD TAPPING SCREW	2	
21	63114H3A000H000	FENDER, REAR MIDDLE	1	
22	33652-08410-000	CUSHION, FRONT BOX	1	
23	47119H3A000H000	PLATE, HARNESS	1	
24	09111-06107-000	BOLT	2	
25	63149H3A000H000	CUSHION, REAR FENDER	2	
26	09321H08003H000	CUSHION	1	
27	47435H2J001H000	BAND, TOOL	1	



4

Fig. 38

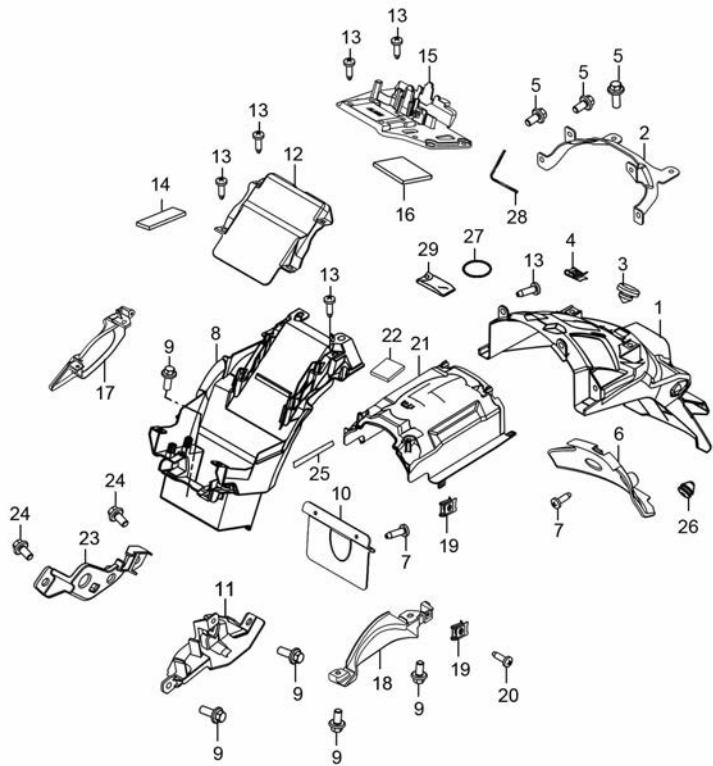


Fig.38 REAR FENDER (P11-C350-0016)

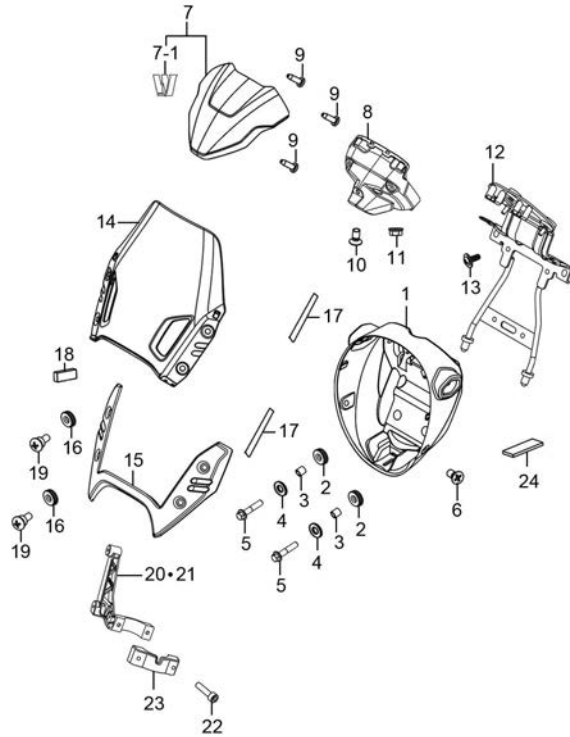
REF. No.	PART No.	DESCRIPTION	Q' TY	REMARKS
28	09816H00601H000	HEXAGON, SPANNER	1	
29	09800H20042H000	TOOL ASSY	1	

4



Fig. 39

Fig.39 COWLING (P11-C360-0026)



REF. No.	PART No.	DESCRIPTION	Q' TY	REMARKS
1	51811H3A000H000	HOUSING, HEADLAMP	1	
2	09320-08047-000	CUSHION, SEAT TAIL COVER FRONT	4	
3	09180-06263-000	SPACER, CYL COWLING (L9)	4	
4	09160-06027-000	WASHER, CHAIN CASE FRONT	4	
5	01550-0620A-000	BOLTS, HEXAGON HEAD FLANGE	4	
6	09139H05014H000	SCREW	2	
7	56032H3A020H000	COVER SET, HANDLE REAR	1	
7-1	68170H3A000H000	EMBLEM, LOGO	1	
8	51821H3A000H000	COVER, HEADLAMP UPPER	1	
9	09136H04003H000	SCREW WITH WASHER	3	
10	09139H06024H000	SCREW	2	
11	09159-06024-000	NUT, HDL BALANCER	2	
12	51520H3A000H000	BRACKET ASSY, HEADLAMP	1	
13	09139H08005H000	SCREW	2	
14	94611H3A000H000	WINDSCREEN	1	
15	94613H3A000H000	BRACKET WINDSCREEN	1	
16	09320H09010H000	CUSHION	4	
17	44256H3A001H000	SEPARATOR	4	
18	44256H40100H000	SEPARATOR	7	
19	09139H06026H000	SCREW	4	
20	94614H3A000H000	SUPPORT, WINDSCREEN, R	1	
21	94615H3A000H000	SUPPORT, WINDSCREEN, L	1	
22	07130-0620A-000	BOLT	4	
23	94616H3A000H000	HOLDER, WINDSCREEN, R	2	
24	51813H3A000H000	CUSHION, HEADLAMP HOUSING	1	

Fig. 40

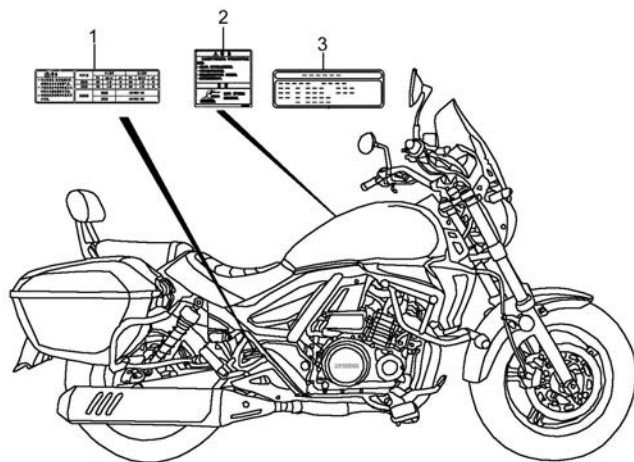


Fig.40 LABEL (P11-C370-0046)

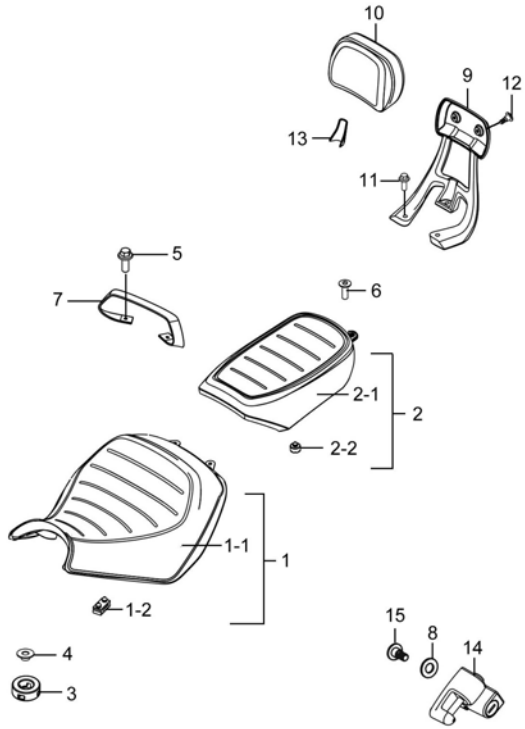
REF. No.	PART No.	DESCRIPTION	Q' TY	REMARKS
1	68332H3A020H000	LABEL, TIRE INFORMATION	1	
2	68319H40010H000	LABEL, GENERAL WARNING	1	
3	99011H3A010H000	MANUAL, OWNER'S	1	

4

Fig. 41

Fig.41 SEAT (P11-C380-0010)

REF. No.	PART No.	DESCRIPTION	Q' TY	REMARKS
1	45100H3A000H000	SEAT ASSY	1	
1-1	45160H3A000H000	COVER COMP, SEAT	1	
1-2	45147-12FB0-000	CUSHION, SEAT MOUNT	4	
2	45300H3A010H000	SEAT ASSY, PILLION	1	
2-1	45360H3A000H000	COVER COMP, SEAT	1	
2-2	45148-20G50-000	CUSHION, SEAT MOUNT	4	
3	45148H3A000H000	CUSHION	2	
4	09180H06051H000	SPACER	2	
5	01550-0612A-000	BOLT	2	
6	09139H06029H000	SCREW	1	
7	45180H3A000H000	BAND ASSY, SEAT	1	
8	09160-06126-000	WASHER, EXPANDER	1	
9	46229H3A001H000	BRACKET, PILLION HANDLE BACKREST	1	
10	46220H3A000H000	BACKREST ASSY, PILLION HANDLE	1	
11	01550-0830A-000	BOLTS, HEXAGON HEAD FLANGE	2	
12	09139H05009H000	SCREW	2	
13	46228H3A000H000	GUARD, BRACKET, PILLION HANDLE BACKREST	1	
14	95700H3A000H000	LOCK ASSY, HELMET	1	
15	95729-053G0-000	SCREW, HELMET LOCK	1	



4

Fig. 42

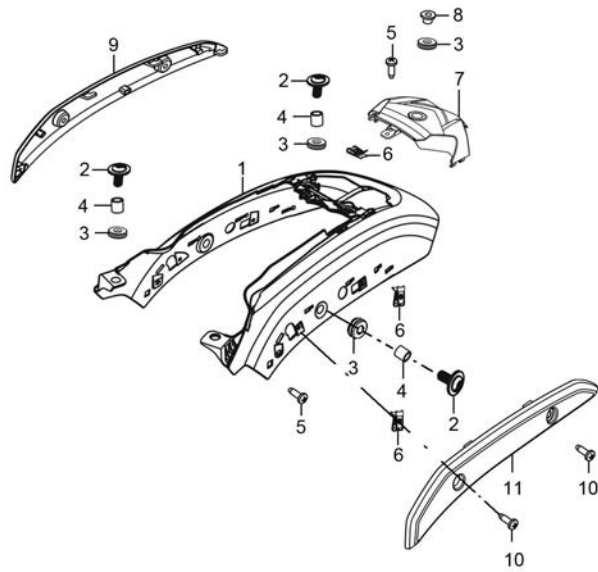


Fig.42 COVER,SEAT TAIL (P11-C390-0005)

REF. No.	PART No.	DESCRIPTION	Q' TY	REMARKS
1	45511H3A000H517	COVER, SEAT TAIL (Pearl Nebular black)	1	
1	45511H3A000H511	COVER, SEAT TAIL (MATTE BLACK)	1	
1	45511H3A000H612	COVER, SEAT TAIL (BLUE)	1	
1	45511H3A000H128	COVER, SEAT TAIL (RED)	1	
2	45521-45F00-000	SCREW, SEAT TAIL COVER FRONT	6	
3	09320-08047-000	CUSHION, SEAT TAIL COVER FRONT	7	
4	09180-06263-000	SPACER, CYL COWLING (L9)	6	
5	03241-0512A-000	CROSS RECESSED HEAD TAPPING SCREW	3	
6	09148-05077-000	NUT	5	
7	45513H3A010H000	COVER, SEAT TAIL, CTR	1	
8	09180H06018H000	SPACER	1	
9	45541H3A000H000	LID, SEAT TAIL COVER, R	1	
10	09139H05012H000	SCREW	4	
11	45542H3A000H000	LID, SEAT TAIL COVER, L	1	

4



Fig. 43

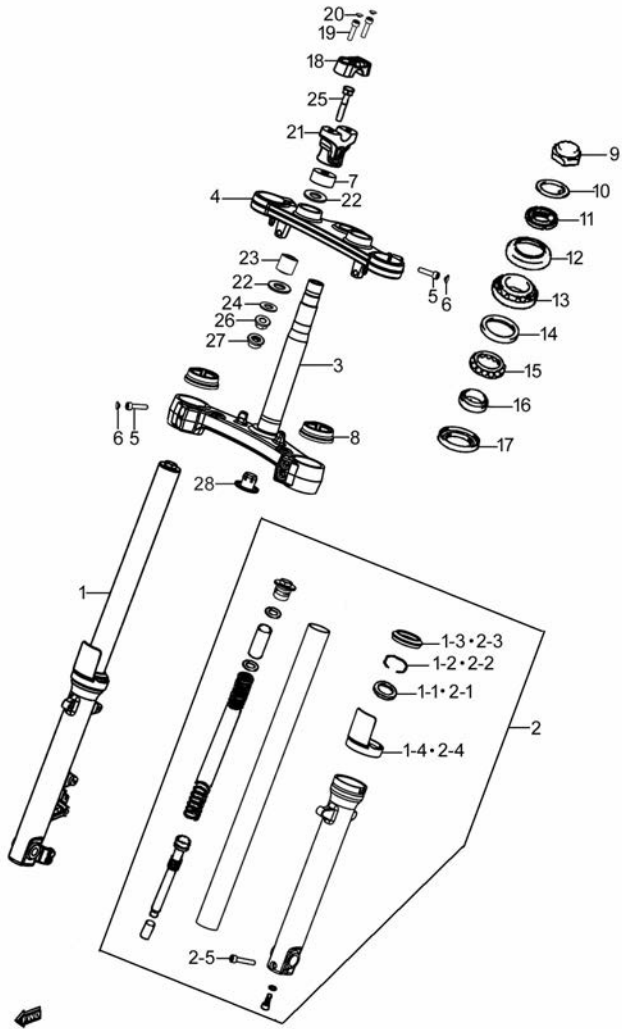


Fig.43 STEERING STEM (P11-C400-0019)

REF. No.	PART No.	DESCRIPTION	Q' TY	REMARKS
1	51103H3A001H000	DAMPER ASSY, FRONT FORK, R	1	
1-1	51153H3A000H000	SEAL, OIL	1	
1-2	51156H3A000H000	SEAL, OIL SET	1	
1-3	51173H3A000H000	COVER, DUST SEAL	1	
1-4	51175H3A000H000	SEAL, DUST	1	
2	51104H3A001H000	DAMPER ASSY, FRONT FORK, L	1	
2-1	51153H3A000H000	SEAL, OIL	1	
2-2	51156H3A000H000	SEAL, OIL SET	1	
2-3	51173H3A000H000	COVER, DUST SEAL	1	
2-4	51175H3A000H000	SEAL, DUST	1	
2-5	51328H2J000H000	BOLT, TUBE COMP	1	
3	51410H3A000H000	BRACKET COMP, UNDER	1	
4	51311H3A000H000	BRACKET, UPPER	1	
5	51166-48H10-000	BOLT, UPPER BRACKET	6	
6	09250H06001H000	CAP	6	
7	51313H3A000H000	SPACER	2	
8	51515H3A000H000	COVER, FR FORK, UPPER	2	
9	51353-48H00-000	NUT, STEM TOP	1	
10	09160H22002H000	WASHER, PLAIN	2	
11	51631-48H00-000	NUT, STEERING STEM	1	
12	51643-49002-000	DUST SEAL	1	
13	09267-25L01-000	BEARING	1	
14	51612-48H00-000	RACE, STEERING INNER LOWER	1	
15	51613-48H00-000	BALL, STEERING	1	
16	51622-48H00-000	RACE, STEERING OUTER LOWER	1	
17	51644-48H01-000	SEAL, STEERING LOWER	1	
18	56211H2K000H000	HOLDER, HANDLE UPPER	2	
19	07130-08307-000	BOLT, UPPER BRACKET	4	
20	09250H06008H000	bolt cap	4	

Fig. 43

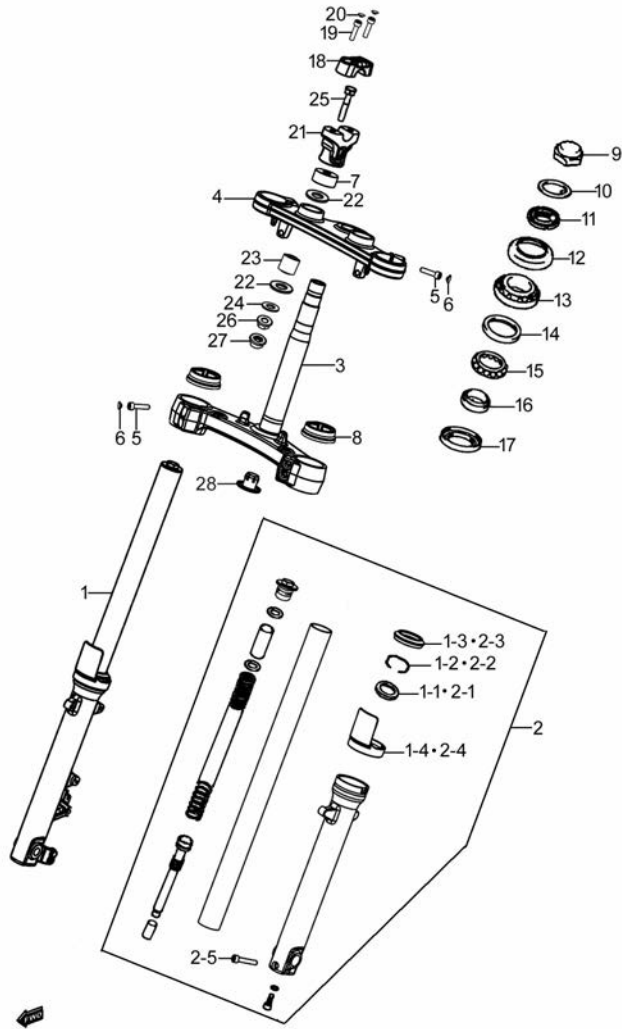


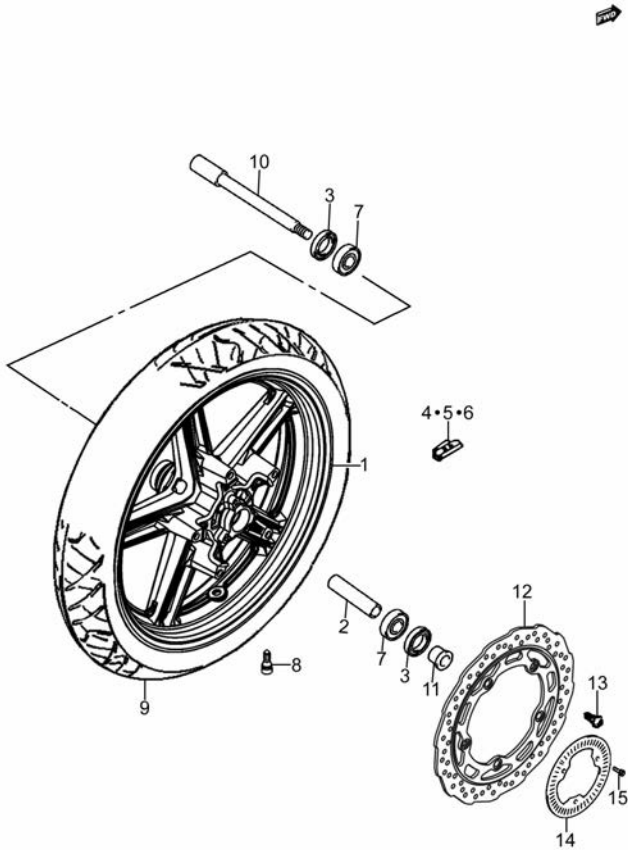
Fig.43 STEERING STEM (P11-C400-0019)

REF. No.	PART No.	DESCRIPTION	Q' TY	REMARKS
21	56221H2K000H000	HOLDER, HANDLE LOWER	2	
22	56245H2K000H000	DAMPER, HANDLE HOLDER	4	
23	56240H2K000H000	BUSH, HOLDER HANDLE	2	
24	09160H12024H000	WASHER, PLAIN	2	
25	51226H3A000H000	BOLT, HANDLE HOLDER LOWER	2	
26	08319-3112A-000	U-NUT	2	
27	54713-37G00-000	CAP, FRONT AXLE, R	2	
28	51159H3A000H000	PLUG	1	

Fig. 44

Fig.44 FRONT WHEEL (P11-C410-0016)

REF. No.	PART No.	DESCRIPTION	Q' TY	REMARKS
1	54111H3A000H000	WHEEL, FRONT	1	
2	54731H3A000H000	SPACER, FRONT HUB BEARING	1	
3	54841H2H000H000	SEAL, FRONT HUB DUST	2	
4	55411-48H00-000	BALANCER, WHEEL, NO. 1	1	10g
5	55412-48H00-000	BALANCER, WHEEL NO. 2	1	20g
6	55413-48H00-000	BALANCER, WHEEL NO. 3	1	30g
7	08133-62027-000	BALL BEARING	2	
8	43130H22500H000	VALVE ASSY, WHEEL RIM	1	
9	55110H3A010H000	TIRE COMP, FRONT	1	
10	54711H3A000H000	AXLE, FRONT	1	
11	54751H2H000H000	SPACER, FRONT AXLE, L	1	
12	59211H2H001H000	DISC, FRONT BRAKE	1	
13	69222-48H00-000	BOLT, REAR BRAKE DISC	5	
14	54162-44H20-000	RING, SPEED SENSOR RR	1	
15	07130-0512A-000	HEXAGON SOCKET HEAD CAP SCREW	3	



4

Fig. 45

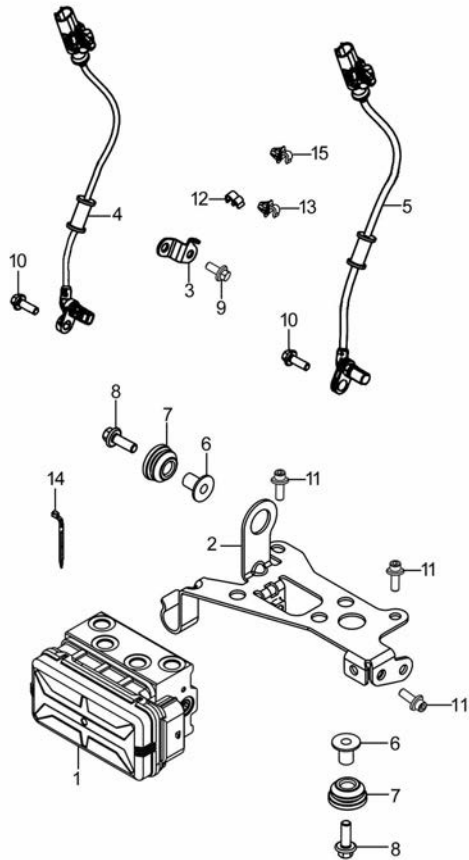


Fig.45 HYDRAULIC UNIT (P11-C415-0006)

REF. No.	PART No.	DESCRIPTION	Q'TY	REMARKS
1	55610H3A010H000	UNIT ASSY, HYDRAULIC ABS	1	
2	55660H3A000H000	HOLDER COMP, HYDR UNIT ABS	1	
3	55731H3A000H000	CLAMP, FR WHL SPD SENSOR NO. 2	1	
4	55710H3A000H000	SENSOR COMP, FR WHEEL SPEED	1	
5	65710H3A000H000	SENSOR COMP, RR WHEEL SPEED	1	
6	55662H2H000H000	SPACER, HYDR UNIT MTG	2	
7	09320-10065-000	CUSHION	2	
8	09116-06150-000	BOLT, ABS UNIT HOLDER	2	
9	01547-0612B-000	BOLT	1	
10	01547-0616B-000	BOLT	2	
11	09106H06008H000	BOLT	3	
12	55734H2H000H000	CLAMP, SENSOR	5	
13	55734H3A000H000	CLAMP, SENSOR	1	ID=3.9mm
14	36990-32G40-000	CLAMP, WIRING HARNESS	1	
15	55734H3A011H000	CLAMP, SENSOR	1	ID=4.9mm

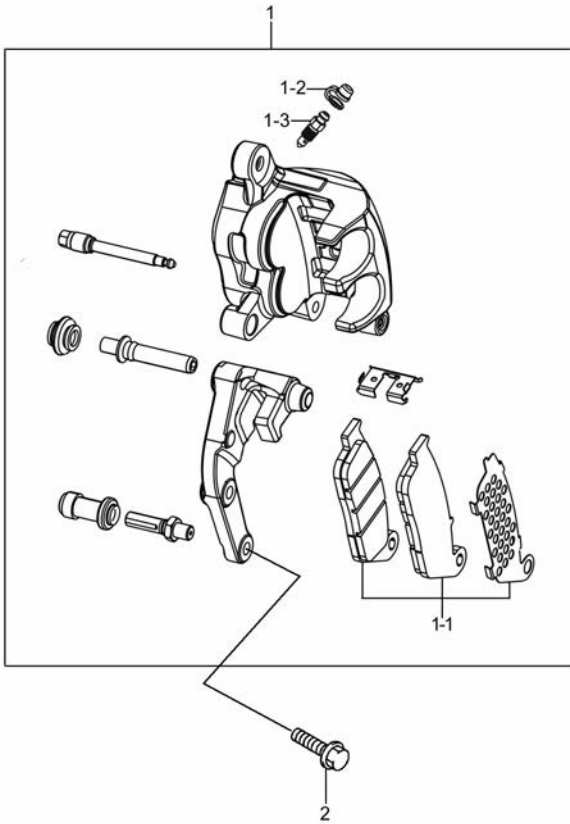
4



Fig. 46

Fig.46 FRONT CALIPER (P11-C420-0005)

REF. No.	PART No.	DESCRIPTION	Q' TY	REMARKS
1	59300H3A000H000	CALIPER ASSY, FRONT	1	
1-1	59300H2KY000H000	PAD COMP	1	
1-2	59122-01A00-000	CAP, BLEEDER	1	
1-3	59121-01A00-000	BLEEDER	1	
2	01550-0835A-000	BOLT	2	



4



Fig. 47

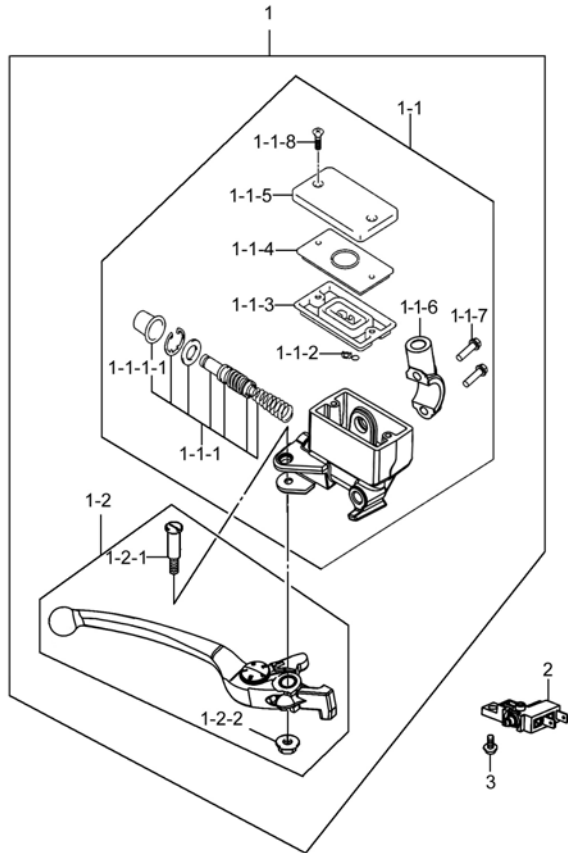


Fig.47 FRONT BRAKE CYLINDER (P11-C430-0015)

REF. No.	PART No.	DESCRIPTION	Q'TY	REMARKS
1	59061H3A020H000	CYLINDER SET, FRONT MASTER	1	
1-1	59600H3A000H000	CYLINDER ASSY, FRONT MASTER	1	
1-1-1	59660H2KY00H000	PISTON & CUP SET	1	
1-1-1-1	59666-44300-000	BOOT	1	
1-1-2	59664-32F00-000	PROTECTOR	1	
1-1-3	59667-49460-000	DIAPHRAGM	1	
1-1-4	59668-41C00-000	PLATE DIAPHRAGM	1	
1-1-5	59669-48H30-000	CAP, RESERVOIR TANK	1	
1-1-6	59671-32F00-000	HOLDER	1	
1-1-7	59675-02FA0-000	BOLT	2	
1-1-8	69689-49300-000	SCREW	2	
1-2	57300H3A000H000	LEVER ASSY, BRAKE	1	
1-2-1	57431-17H02-000	BOLT, LEVER PIVOT	1	
1-2-2	08319-2106A-000	U-NUT	1	
2	37740H7R000H000	SWITCH ASSY, STOP LAMP	1	
3	02112-7412A-000	CROSS RECESSED HEAD SCREW	1	

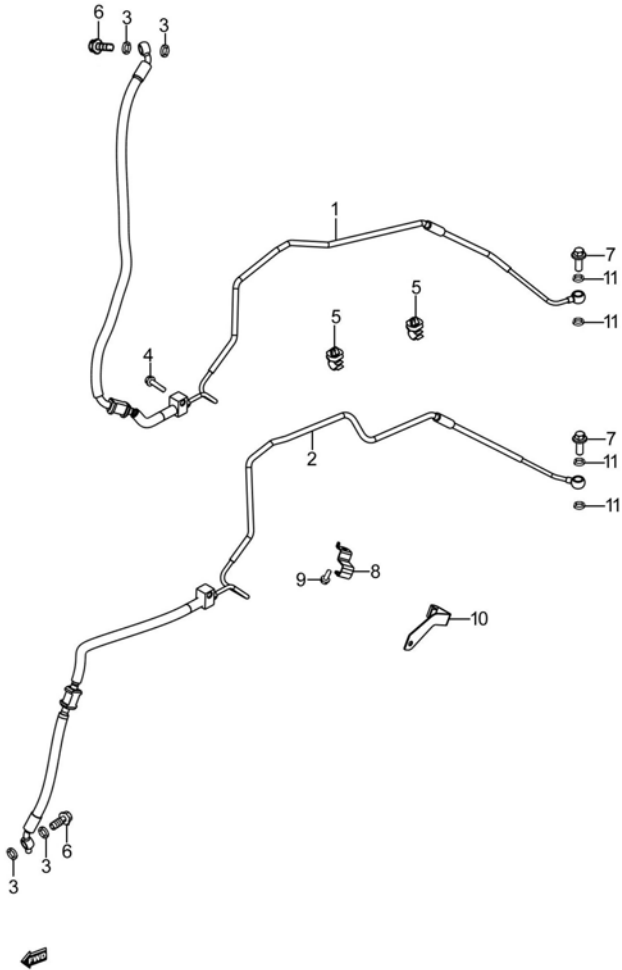
4



Fig. 48

Fig.48 HOSE,FRONT BRAKE (P11-C435-0013)

REF. No.	PART No.	DESCRIPTION	Q' TY	REMARKS
1	59200H3A010H000	HOSE ASSY, FR MASTER TO UNIT	1	
2	59400H3A010H000	HOSE ASSY, UNIT TO FR CLPR	1	
3	59464-48H00-000	WASHER, BRAKE FLUID	4	
4	01547-0635B-000	BOLT	1	
5	09403-07331-000	CLAMP	2	
6	59492-48H00-000	BOLT, BRAKE FLUID	2	
7	59492-48H40-000	BOLT, BRAKE FLUID	2	
8	59245H3A010H000	CLAMP, FR BRAKE HOSE	1	
9	01547-0612B-000	BOLT	1	
10	59246H3A000H000	CLAMP, FR BRAKE HOSE	1	
11	59464H40100H000	WASHER, BRAKE FLUID	4	



4

Fig. 49

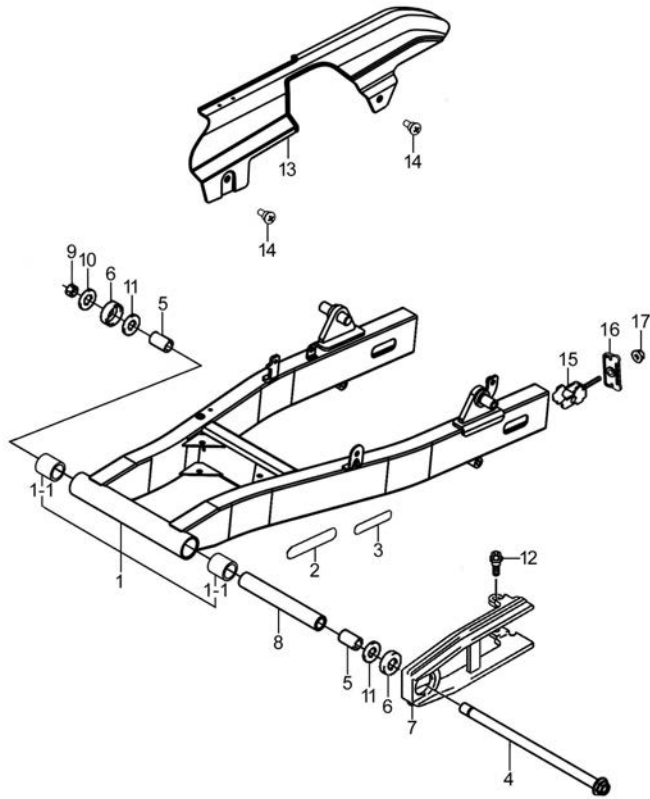


Fig.49 REAR SWINGING ARM (P11-C440-0015)

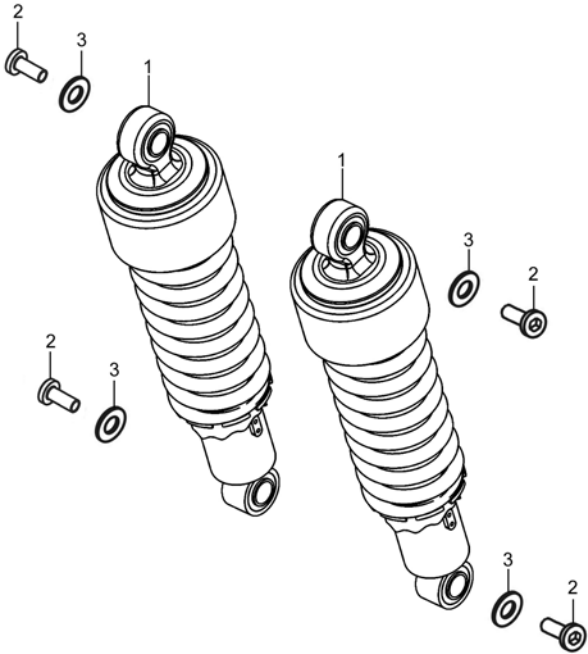
REF. No.	PART No.	DESCRIPTION	Q'TY	REMARKS
1	6100H3A000H000	SWINGINGARM ASSY, REAR	1	
1-1	09263-22078-000	BEARING, NEEDLE	2	
2	61395H3A000H000	TAPE, SWINGINGARM COMP, REAR	2	
3	61395H3A010H000	TAPE, SWINGINGARM COMP, REAR	2	
4	61211H3A000H000	SHAFT, RR SWG ARM PIVOT	1	
5	61251-48H00-000	SPACER, RR SWGARM PIVOT BEARING	2	
6	61262-48H10-000	COVER, RR SWGARM PIVOT	2	
7	61273-48H01-000	BUFFER, CHAIN TOUCH DEFENSE	1	
8	61282H3A000H000	SPACER, RR SWGARM PIVOT CENTER	1	
9	09159-14019-000	NUT	1	
10	09160-14067-000	WASHER	1	
11	09160-14068-000	WASHER	2	
12	09111-06072-000	BOLT	2	
13	61310H3A000H000	CASE COMP, CHAIN	1	
14	09111-06065-000	BOLT	2	
15	61410H2H000H000	ADJUSTER COMP, CHAIN	2	
16	61421-48H10-000	PLATE, CHAIN ADJUSTER GUIDE	2	
17	08319-3108A-000	NUT	2	

4

Fig. 50

Fig.50 REARSHOCK ABSORBER (P11-C450-0018)

REF. No.	PART No.	DESCRIPTION	Q' TY	REMARKS
1	62100H3A000H000	ABSORBER ASSY, REAR SHOCK	2	
2	09139H08005H000	SCREW	4	
3	09160H08020H000	WASHER	4	



4

Fig. 51

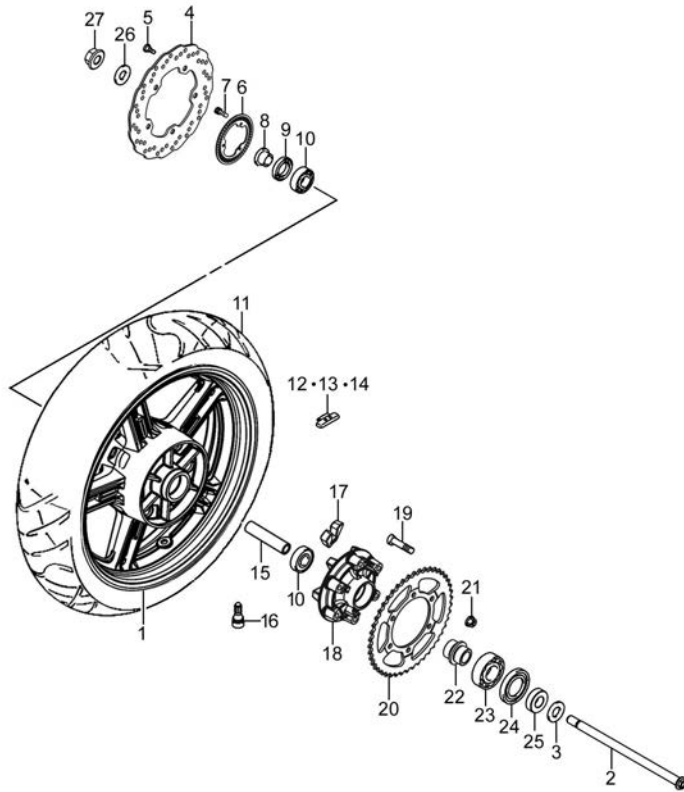


Fig.51 REAR WHEEL (P11-C460-0017)

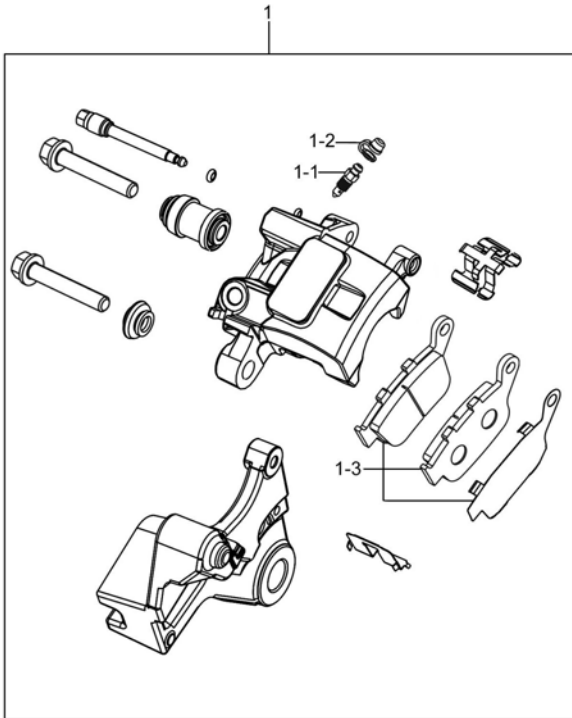
REF. No.	PART No.	DESCRIPTION	Q' TY	REMARKS
1	64111H3A000H000	WHEEL, REAR	1	
2	64711H3A000H000	AXLE, REAR	1	
3	61455-48H00-000	WASHER, CHAIN ADJUSTER, L	1	
4	69211H2H002H000	DISC, REAR BRAKE	1	
5	69222-48H00-000	BOLT, REAR BRAKE DISC	5	
6	54162-44H20-000	RING, SPEED SENSOR RR	1	
7	07130-0512A-000	HEXAGON SOCKET HEAD CAP SCREW	3	
8	64741H2H001H000	SPACER, REAR AXLE, R	1	
9	09283-25L02-000	SEAL, OIL	1	
10	08123-63037-000	BALL BEARING	2	
11	65110H3A010H000	TIRE COMP, REAR	1	
12	55411-48H00-000	BALANCER, WHEEL, NO. 1	1	10g
13	55412-48H00-000	BALANCER, WHEEL NO. 2	1	20g
14	55413-48H00-000	BALANCER, WHEEL NO. 3	1	30g
15	64916H3A000H000	SPACER, REAR HUB	1	
16	43130H22500H000	VALVE ASSY, WHEEL RIM	1	
17	64651H2H000H000	ABSORBER, REAR HUB SHOCK	6	
18	64611H3A000H000	DRUM, REAR SPROCKET	1	
19	09119-10088-000	BOLT	6	
20	64511H3A000H000	SPROCKET, REAR	1	
21	08319-3110A-000	NUT	6	
22	64733H2H001H000	RETAINER, REAR SPROCKET DRUM	1	
23	09262H25007H000	BEARING	1	
24	64616H2H000H000	SEAL, REAR SPROCKET DRUM OIL	1	
25	64751H3A000H000	SPACER, REAR AXLE, L	1	
26	61445-48H00-000	WASHER, CHAIN ADJUSTER, R	1	
27	64721-48H00-000	NUT, REAR AXLE	1	

4

Fig. 52

Fig.52 REAR CALIPER (P11-C463-0006)

REF. No.	PART No.	DESCRIPTION	Q' TY	REMARKS
1	69100H3A000H000	CALIPER ASSY, REAR	1	
1-1	59121-01A00-000	BLEEDER	1	
1-2	59122-01A00-000	CAP, BLEEDER	1	
1-3	69100H2KY000H000	PAD COMP	1	



4



Fig. 53

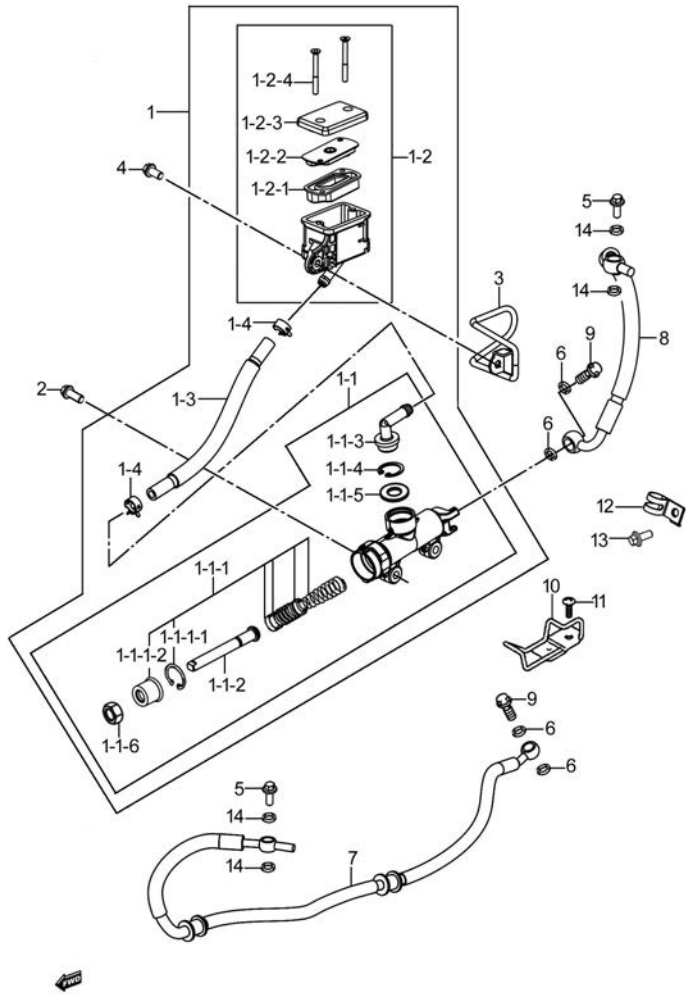


Fig.53 REAR MASTER CYLINDER (P11-C465-0012)

REF. No.	PART No.	DESCRIPTION	Q'TY	REMARKS
1	69601H3A000H000	CYLINDER SET, REAR MASTER	1	
1-1	69600H3A000H000	CYLINDER ASSY, REAR MASTER	1	
1-1-1	69660H3AY00H000	PISTON & CUP SET	1	
1-1-1-1	69665-47H00-000	CIRCLIP, REAR MASTER CYLINDER	1	
1-1-1-2	69691-04A00-000	BOOT, REAR MASTER CYLINDER	1	
1-1-2	69670-48H10-000	ROD, PUSH	1	
1-1-3	69672-00B20-000	CONNECTOR, REAR MASTER CYLINDER	1	
1-1-4	69674-00B20-000	CIRCLIP, REAR MASTER CYLINDER CONNECTOR	1	
1-1-5	69686-34200-000	O RING, REAR MASTER CYLINDER CONECTOR	1	
1-1-6	69693-24A00-000	NUT, REAR MASTER CYLINDER	1	
1-2	69740H3A000H000	TANK ASSY, REAR RESERVOIR	1	
1-2-1	59667-44B00-000	DIAPHRAGM	1	
1-2-2	59668-21D20-000	PLATE, DIAPHRAGM	1	
1-2-3	69669H3A000H000	CAP, RESERVOIR TANK	1	
1-2-4	69689-36E00-000	SCREW, RR RESERVOIR TANK	1	
1-3	69730H3A000H000	HOSE COMP, RR RESERVOIR TANK	1	
1-4	59735-17C00-000	CLAMP, RESERVOIR TANK FRONT	2	
2	01550-0620A-000	BOLTS, HEXAGON HEAD FLANGE	2	
3	69750H3A000H000	BRACKET ASSY, REAR MASTER	1	
4	01547-0616A-000	BOLT	1	
5	59492-48H40-000	BOLT, BRAKE FLUID	2	
6	59464-48H00-000	WASHER, BRAKE FLUID	4	
7	69400H3A000H000	HOSE ASSY, UNIT TO RR CLPR	1	
8	69200H3A000H000	HOSE ASSY, RR MASTER TO UNIT	1	
9	59492-48H00-000	BOLT, BRAKE FLUID	2	

4

Fig. 53

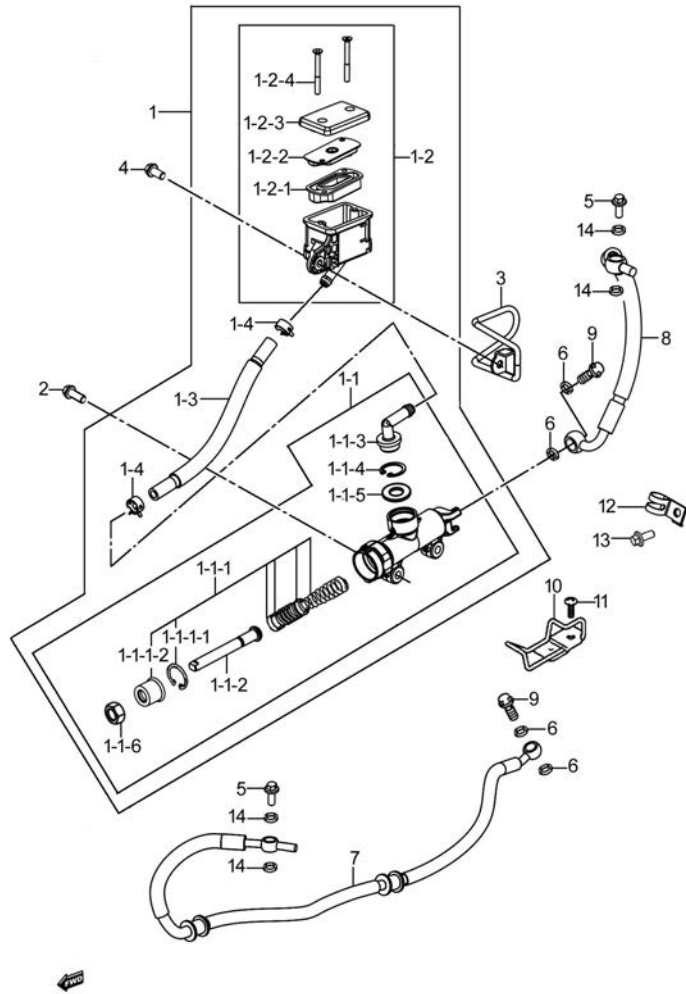


Fig.53 REAR MASTER CYLINDER (P11-C465-0012)

REF. No.	PART No.	DESCRIPTION	Q' TY	REMARKS
10	69260-20K00-000	GUIDE COMP, REAR BRAKE HOSE	1	
11	02142-0616A-000	CROSS RECESSED HEAD SCREW	1	
12	59242H5A000H000	GUIDE, HOSE	1	
13	01547-0610B-000	BOLT	1	
14	59464H40100H000	WASHER, BRAKE FLUID	4	

4

Fig. 54

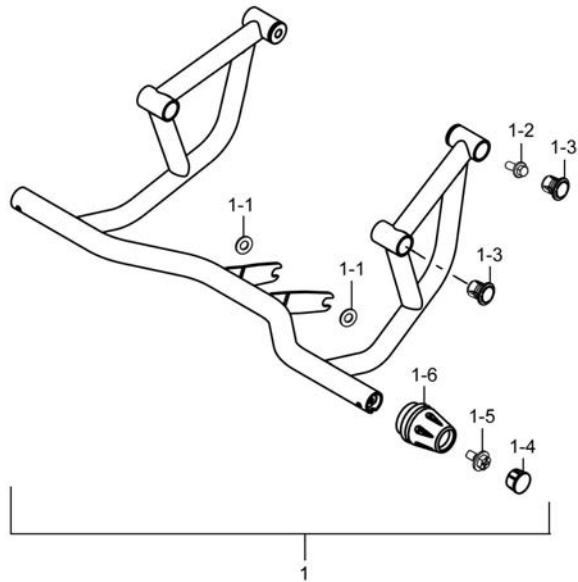


Fig.54 BUMPER COMP (P11-C470-0008)

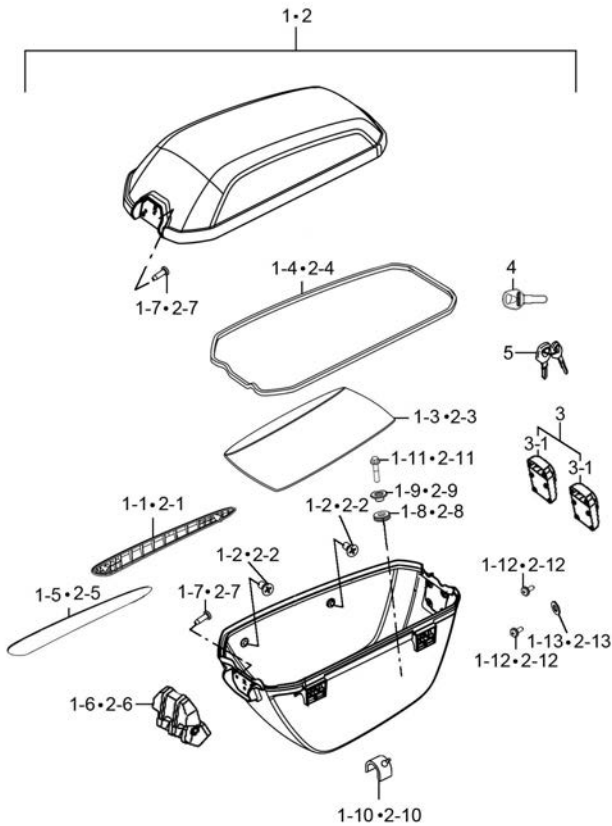
REF. No.	PART No.	DESCRIPTION	Q' TY	REMARKS
1	94210H3AY00H000	BUMPER COMP, FRONT SET	1	
1-1	09160H10009H000	WASHER, PLAIN	2	
1-2	01550-0820A-000	BOLTS, HEXAGON HEAD FLANGE	2	
1-3	94217H2H100H000	PLUG, TUBE	4	
1-4	94223H2H000H000	COVER, TUBE PLUG	2	
1-5	09111H06010H000	BOLT	2	
1-6	94217H2H001H000	PLUG, TUBE	2	

4



Fig. 55

Fig.55 SIDE BOX ASSY (P11-C500-0010)



REF. No.	PART No.	DESCRIPTION	Q' TY	REMARKS
1	95400H3A011H501	BAG ASSY, SIDE, R (PEARL WHITE))	1	
1	95400H3A011H511	BAG ASSY, SIDE, R (MATTE BLACK)	1	
1	95400H3A011H612	BAG ASSY, SIDE, R (BLUE)	1	
1	95400H3A011H128	BAG ASSY, SIDE, R (RED)	1	
1-1	95421H3A000H000	GARNISH, SIDE CASE, R	1	
1-2	92125-33GC0-000	SCREW, LID INNER COVER	2	
1-3	95412H3A000H000	MAT, SIDE BOX INNER	1	
1-4	93115H3A001H000	MOLDING, SIDE BOX NO. 1	1	
1-5	93119H3A000H000	TAPE, DOUBLE-SIDED, NO. 1	1	
1-6	95430-48H00-000	HINGE COMP, REAR BOX, R	1	
1-7	03541-0516A-000	CROSS RECESSED HEAD TAPPING SCREW	6	
1-8	09320-08518-000	CUSHION	2	
1-9	09180H06022H000	SPACER	2	
1-10	95462H3A000H000	CUSHION, SIDE BAG UPPER	2	
1-11	01550-0620A-000	BOLTS, HEXAGON HEAD FLANGE	2	
1-12	02112-1412A-000	CROSS RECESSED HEAD SCREW	6	
1-13	09160-04022-000	WASHER, PLAIN	4	
2	95500H3A011H501	BAG ASSY, SIDE, L (PEARL BLACK)	1	
2	95500H3A011H511	BAG ASSY, SIDE, L (MATTE BLACK)	1	
2	95500H3A011H612	BAG ASSY, SIDE, L (BLUE)	1	
2	95500H3A011H128	BAG ASSY, SIDE, L (RED)	1	
2-1	95521H3A000H000	GARNISH, SIDE CASE, L	1	
2-2	92125-33GC0-000	SCREW, LID INNER COVER	2	
2-3	95512H3A000H000	MAT, SIDE BOX INNER, L	1	
2-4	93115H3A001H000	MOLDING, SIDE BOX NO. 1	1	
2-5	93120H3A000H000	TAPE, DOUBLE-SIDED, NO. 2	1	
2-6	95530-48H00-000	HINGE COMP, SIDE BAG, L	1	
2-7	03541-0516A-000	CROSS RECESSED HEAD TAPPING SCREW	6	

4

Fig. 55

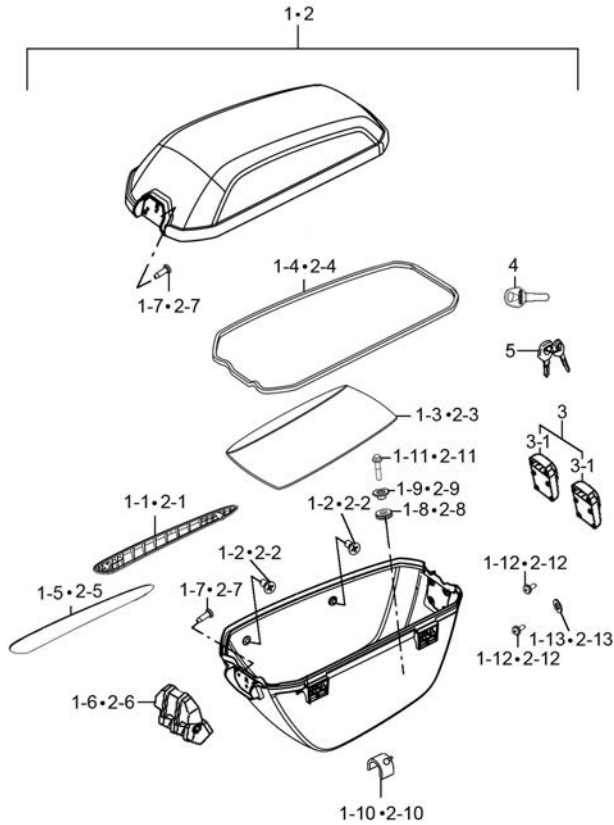


Fig.55 SIDE BOX ASSY (P11-C500-0010)

REF. No.	PART No.	DESCRIPTION	Q'TY	REMARKS
2-8	09320-08518-000	CUSHION	2	
2-9	09180H06022H000	SPACER	2	
2-10	95462H3A000H000	CUSHION, SIDE BAG UPPER	2	
2-11	01550-0620A-000	BOLTS, HEXAGON HEAD FLANGE	2	
2-12	02112-1412A-000	CROSS RECESSED HEAD SCREW	6	
2-13	09160-04022-000	WASHER, PLAIN	4	
3	95300H48H10H000	LOCK SET, SIDE CASE	1	
3-1	95450H48H10H000	LOCK ASSY, SIDE BAG	2	
4	9545AH3A000H000	PROTECTOR, KEY	2	
5	37146H30120H000	KEY, BLANK	1	

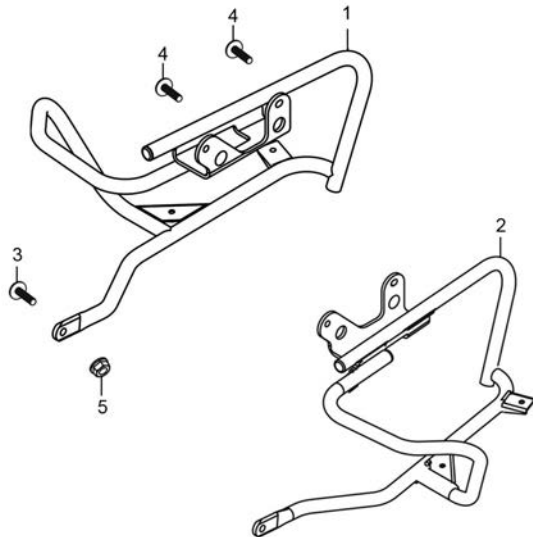
4



Fig. 56

Fig.56 SIX BOX BRACKET ASSY (P11-C510-0008)

REF. No.	PART No.	DESCRIPTION	Q' TY	REMARKS
1	94810H3A000H000	BUMPER COMP, REAR SIDE, R	1	
2	94820H3A000H000	BUMPER COMP, REAR SIDE, L	1	
3	09106H08014H000	BOLT	2	
4	09106H08004H000	BOLT	4	
5	08319-3108A-000	NUT	2	



4



PART NO.	FIG. NO. – REF. NO.	PART NO.	FIG. NO. – REF. NO.	PART NO.	FIG. NO. – REF. NO.	PART NO.	FIG. NO. – REF. NO.
00000		01550-0520A-000	11-8	02122-0320A-000	37-5-9	07130-0630A-000	21-4
		01550-0520A-000	23-10	02122-0616A-000	01-13	07130-0630A-000	35-5
		01550-0610B-000	23-7	02142-0510B-000	36-8	07130-0816A-000	06-5
		01550-0612A-000	10-8	02142-0514A-000	31-1-11	07130-08307-000	43-19
		01550-0612A-000	14-10	02142-0514A-000	31-2-11	07130-0830A-000	12-1
01500-0612A-000	18-12	01550-0612A-000	15-9	02142-0516B-000	11-1-5	08123-63037-000	51-10
01500-0616A-000	17-18	01550-0612A-000	28-36	02142-0610B-000	14-15	08133-62027-000	44-7
01500-0620A-000	19-30	01550-0612A-000	29-11	02142-0616A-000	53-11	08211-06121-000	19-16
01547-0512B-000	28-29	01550-0612A-000	01-6	03241-0512A-000	38-20	08211-06183-000	19-7
01547-0610B-000	53-13	01550-0612A-000	41-5	03241-0512A-000	42-5	08211-17262-000	18-7-13
01547-0612A-000	08-4	01550-0616A-000	32-21	03241-0512B-000	33-17	08211-22363-000	17-5
01547-0612A-000	09-7	01550-0616A-000	34-21	03541-0416A-000	24-3	08211-38521-000	05-24
01547-0612A-000	03-17	01550-0616A-000	38-5	03541-0516A-000	55-1-7	08310-0006A-000	19-27-5
01547-0612B-000	45-9	01550-0616B-000	11-2	03541-0516A-000	55-2-7	08316-1006A-000	10-1
01547-0612B-000	48-9	01550-0620A-000	53-2	03541-0516A-000	11-1-11	08319-2106A-000	37-5-6
01547-0616A-000	53-4	01550-0620A-000	55-1-11	03541-0516A-000	04-17	08319-2106A-000	47-1-2-2
01547-0616A-000	14-28	01550-0620A-000	55-2-11	03541-0516A-000	38-7	08319-3108A-000	56-5
01547-0616B-000	14-4	01550-0620A-000	39-5	04111-2015A-000	30-15	08319-3108A-000	49-17
01547-0616B-000	45-10	01550-0620B-000	23-5	04111-2015A-000	36-10	08319-3110A-000	51-21
01547-0620A-000	08-7	01550-0625A-000	02-3	04211-09149-000	04-4	08319-3110B-000	12-16
01547-0620A-000	14-31	01550-0625A-000	15-4	04211-11129-000	02-4	08319-3110B-000	29-16
01547-0620B-000	14-7	01550-0820A-000	54-1-2	04211-11129-000	01-7	08319-3112A-000	43-26
01547-0625A-000	16-3	01550-0830A-000	41-11	04211-11169-000	03-1-1	08322-0106A-000	30-14
01547-0625A-000	16-12	01550-0835A-000	12-10	04221-04089-000	05-5-2	08331-31109-000	16-13
01547-0625A-000	20-3	01550-0835A-000	46-2	04221-06129-000	18-6	08331-3112A-000	19-31
01547-0625B-000	37-5-7	01550-0840A-000	12-4	06111-08004-000	31-19	08331-31149-000	19-26
01547-0630A-000	03-20	01550-0855A-000	03-7	06112-07004-000	31-1-10	08331-3118A-000	30-9
01547-0630A-000	04-3	01550-1016A-000	05-26	06112-07004-000	31-2-10	08332-1106A-000	31-1-5
01547-0635A-000	13-2	01550-1065B-000	12-11	07120-0516B-000	19-33	08332-1106A-000	31-2-5
01547-0635A-000	03-5	02112-0514A-000	31-17	07120-0612A-000	14-6	08332-1106A-000	31-18
01547-0635A-000	04-9	02112-0612A-000	19-12	07130-0512A-000	21-3	08341-31039-000	21-5
01547-0635B-000	48-4	02112-1412A-000	55-1-12	07130-0512A-000	44-15	08361-3506A-000	23-2
01547-0640A-000	04-15	02112-1412A-000	55-2-12	07130-0512A-000	51-7	09103-06220-000	01-14
01547-0655A-000	03-6	02112-1610A-000	28-31	07130-0616A-000	12-9-8	09103-06233-000	17-11
01547-0690A-000	03-8	02112-7412A-000	47-3	07130-0620A-000	39-22	09103-08449-000	01-3

5

5

PART NO.	FIG. NO. – REF. NO.	PART NO.	FIG. NO. – REF. NO.	PART NO.	FIG. NO. – REF. NO.	PART NO.	FIG. NO. – REF. NO.
09103-08554-000	03-4	09136H04003H000	39-9	09160-04026-000	24-2	09180-06364-000	14-13
09103-10115-000	03-22	09137-05004-000	20-2	09160-06027-000	39-4	09180-08L02-000	12-7
09103-10445-000	03-21	09139-06167-000	12-9-2	09160-06028-000	12-9-3	09180H06018H000	42-8
09103H06001H000	16-19	09139H05009H000	31-10	09160-06126-000	41-8	09180H06022H000	55-1-9
09103H06078H000	30-16	09139H05009H000	33-21	09160-07003-000	23-3	09180H06022H000	55-2-9
09103H08027H000	29-12	09139H05009H000	41-12	09160-08149-000	12-5	09180H06034H000	34-22
09103H10017H000	05-36	09139H05012H000	32-9	09160-10151-000	05-25	09180H06036H000	15-5
09103H10021H000	29-15	09139H05012H000	42-10	09160-12119-000	17-19	09180H06049H000	35-4
09103H10024H000	29-18	09139H05014H000	39-6	09160-14067-000	49-10	09180H06051H000	41-4
09103H10026H000	29-9	09139H05016H000	34-15	09160-14068-000	49-11	09180H10018H000	29-17
09106-06131-000	19-15	09139H06009H000	34-7	09160-14069-000	19-22	09181-22017-000	18-1-7
09106-07022-000	01-11	09139H06024H000	34-18	09160-14070-000	19-23	09181-22017-000	18-7-9
09106-10068-000	29-3	09139H06024H000	39-10	09160-15045-000	17-14	09200-06071-000	36-9
09106H05005H000	28-34	09139H06026H000	39-19	09160-18040-000	30-8	09200H06006H000	30-13
09106H06008H000	45-11	09139H06029H000	41-6	09160H08020H000	50-3	09202-04017-000	05-21
09106H08004H000	56-4	09139H06046H000	31-9	09160H10009H000	54-1-1	09206-08011-000	01-1-1
09106H08014H000	56-3	09139H08004H000	31-4	09160H10016H000	12-12	09206-13007-000	06-4
09111-06027-000	07-12	09139H08005H000	39-13	09160H10022H000	12-15	09208H08003H000	31-1-4
09111-06065-000	49-14	09139H08005H000	50-2	09160H12012H000	19-29	09208H08003H000	31-2-4
09111-06072-000	49-12	09140-06023-000	17-13	09160H12024H000	43-24	09208H08003H000	31-16
09111-06106-000	23-14	09140-06031-000	19-27-4	09160H16005H000	17-4	09209-05024-000	19-34
09111-06106-000	38-9	09140H16001H000	17-3	09160H22002H000	43-10	09247-12107-000	04-11
09111-06107-000	38-24	09148-05077-000	33-16	09164-60001-000	05-20	09247-14043-000	16-5
09111H06010H000	54-1-5	09148-05077-000	38-19	09168-06L04-000	03-2	09248-14013-000	03-9
09111H10012H000	30-5	09148-05077-000	42-6	09168-06L04-000	01-4	09250H06001H000	43-6
09116-06111-000	33-15	09148-05L01-000	23-11	09168-08032-000	01-5	09250H06008H000	43-20
09116-06150-000	45-8	09148-05L01-000	25-3	09168-08035-000	03-3	09251-07006-000	10-14
09116-06211-000	33-10	09148-05L01-000	34-23	09168-14L01-000	16-4	09259-36030-000	04-12
09118-06097-000	14-12	09148-05L08-000	33-19	09168-14L01-000	03-10	09261-03002-000	19-9
09119-10088-000	51-19	09159-06024-000	39-11	09168-16010-000	16-15	09261-08006-000	05-32
09119H06003H000	35-3	09159-10L06-000	03-23	09180-06256-000	12-9-4	09262-22039-000	18-8
09134-06018-000	17-12	09159-14019-000	49-9	09180-06256-000	33-12	09262-25194-000	19-10
09136-05051-000	25-2	09159H10006H000	30-2	09180-06263-000	33-14	09262H25007H000	51-23
09136H04003H000	27-2	09160-04022-000	55-1-13	09180-06263-000	39-3	09263-10023-000	17-15
09136H04003H000	34-9	09160-04022-000	55-2-13	09180-06263-000	42-4	09263-12028-000	17-20

PART NO.	FIG. NO. – REF. NO.	PART NO.	FIG. NO. – REF. NO.	PART NO.	FIG. NO. – REF. NO.	PART NO.	FIG. NO. – REF. NO.
09263-14035-000	19-24	09320H09010H000	39-16	09404-06031-000	28-6	11318-48H00-000	03-18
09263-15L01-000	17-16	09320H12012H000	31-3	09404-06038-000	28-7	11322-48H00-000	03-11
09263-22078-000	49-1-1	09321H08003H000	38-26	09407-11401-000	09-9	11329-48H00-000	03-14
09263H17003H000	18-3	09321H09002H000	38-3	09407-14403-000	28-3	11330-48H01-000	03-19
09267-22001-000	18-4	09367H06005H000	14-45	09407-18402-000	23-15	11340H3A001H000	04-1
09267-25L01-000	43-13	09367H07001H000	32-23	09407-18402-000	28-2	11342H3A010H000	04-18
09280-04004-000	03-12	09380-22016-000	18-1-8	09408-00021-000	28-15	11351H3A001H000	04-7
09280-17003-000	04-6	09380-22016-000	18-7-10	09421H04001H000	05-38	11352-48H00-000	04-10
09280-18011-000	14-30	09380-38008-000	05-22	09440-04010-000	19-37	11352H3A010H000	04-19
09280-21008-000	18-18	09380H22002H000	18-7-12	09440-05003-000	31-1-9	11360H3A001H000	04-14
09280-23L01-000	16-18	09381-15001-000	05-4	09440-05003-000	31-2-9	11366H2H000H000	04-16
09280-24003-000	20-1-12	09390-22002-000	07-13	09440-09031-000	05-23	11391-48H00-000	03-13
09280-26005-000	19-35	09390-47008-000	18-5	09443-11033-000	30-10	11482-48H00-000	04-2
09280-30L01-000	01-17	09390-56002-000	18-10	09443H06005H000	30-11	11483-48H00-000	04-8
09280-33004-000	04-13	09401-08L01-000	14-43	09481-10504-000	28-1-1	11489-48H00-000	16-1
09283-14L01-000	19-25	09401-09101-000	10-16	09481-15504-000	28-1-2	11511-48H00-000	16-2
09283-25L02-000	51-9	09401-09L01-000	10-3	09481-30101-000	23-1-1	11971-48H00-000	04-1-1
09283-30L01-000	18-9	09401-10L01-000	10-6	09482-00622-000	01-15	11972-48H00-000	04-5
09285-10L01-000	17-17	09401-12L02-000	14-33	09800H20042H000	38-29	12111H53000H0F0	05-1
09289-05L02-000	07-10	09401-12L04-000	10-12	09816H00601H000	38-28	12140H53000H000	05-2
09320-08047-000	35-2	09401-15101-000	09-3	10000		12151-48H00-000	05-3
09320-08047-000	39-2	09401-15101-000	11-4		12160-48H00-000	05-5	
09320-08047-000	42-3	09401-17L02-000	15-7		12163-35F00-000	05-5-1	
09320-08051-000	33-11	09401H08302H000	10-17		12164-39F00-0A0	05-6	
09320-08513-000	32-7	09401H09201H000	10-23		12164-39F00-0B0	05-7	
09320-08513-000	34-10	09401H14302H000	11-1-8		11011H53010H000	01-1	12164-39F00-0C0
09320-08518-000	55-1-8	09402-32L01-000	14-32	11141H53000H000	01-2	12164-39F00-0D0	05-9
09320-08518-000	55-2-8	09402H00501H000	12-9-6	11171-48H51-000	01-8	12220H53000H000	05-10
09320-08L03-000	12-9-5	09402H25901H000	14-39	11173-48H00-000	01-9	12228-17E00-0E0	05-11
09320-09016-000	33-13	09402H26901H000	14-38	11191-27E60-000	01-10	12228-17E00-0F0	05-12
09320-10054-000	14-14	09402H28901H000	14-37	11210H53000H0F0	02-1	12228-17E00-0G0	05-13
09320-10065-000	45-7	09402H29901H000	14-36	11241-48H00-000	02-2	12228-17E00-0H0	05-14
09320-12088-000	12-6	09403-07331-000	48-5	11300-48H20-000	03-1	12228-17E00-0J0	05-15
09320H06005H000	31-7	09403H18409H000	14-18	11313-48H00-000	03-15	12228-17E00-0K0	05-16
09320H09010H000	33-20	09404-06031-000	19-36	11317-48H00-000	03-16	12228-17E00-0L0	05-17

5

5

PART NO.	FIG. NO. – REF. NO.	PART NO.	FIG. NO. – REF. NO.	PART NO.	FIG. NO. – REF. NO.	PART NO.	FIG. NO. – REF. NO.
12229-48H00-0A0	05-39	13279-13G10-000	09-1-3	14790H3A010H000	12-9-7	17855H2H000H000	14-22
12229-48H00-0B0	05-40	13295-29901-000	09-1-6	15100-48H02-000	09-4	17856H3A000H000	14-23
12229-48H00-0C0	05-41	13311-48H00-000	09-1-16	15201-48H00-000	09-5	17857H3A000H000	14-24
12229-48H00-0D0	05-42	13400H2H000H000	09-1	15410-48H00-000	09-4-2	17861H2H000H000	14-25
12229-48H10-0A0	05-27	13580-48H01-000	09-1-15	15420-48H11-000	09-4-1	17863-48H00-000	14-26
12229-48H10-0B0	05-28	13602-05A40-000	09-1-14	15426-48H01-000	09-4-3	17870H2H000H000	14-27
12229-48H10-0C0	05-29	13602-06148-000	09-1-7	15710-48H00-000	09-1-1	17880H2H001H000	14-29
12229-48H10-0D0	05-30	13605-02F00-000	09-1-17	15715H2H000H000	09-8	17920H3A000H000	14-46
12611-48H00-000	06-1	13606-47A00-000	09-1-5	15722-29G00-000	09-1-2	17932H3A000H000	14-40-1
12614-48H00-000	06-2	13650-48H00-000	14-34	15730-48H00-000	09-1-18	17981H3A000H000	14-41
12620-48H00-000	06-3	13650-52G00-000	11-6	15810H3A000H000	09-6	17982H3A000H000	14-42
12650H53000H000	05-18	13651-48H00-000	14-35	16310-48H00-000	16-6	18117-14J01-000	09-1-12
12661-48H00-000	05-31	13655-77E00-000	11-5	16321-48H00-000	16-7	18117-20K00-000	10-2
12666-48H01-000	05-19	13671-29G00-000	09-1-11	16331-48H00-000	16-8	18213H2H010H000	12-17
12710H53002H000	07-1	13679-37H00-000	09-1-13	16400-20K00-000	16-9	18450-48H10-000	15-1
12741-48H00-000	07-11	13683-48H40-000	09-1-8	16421-48H00-000	16-10	18461H3A000H000	15-6
12760-48H10-000	08-1	13683-48H50-000	09-1-9	16422-48H00-000	16-11	18510-48H80-000	15-8
12771-20K00-000	08-2	13685-29G00-000	09-1-10	16440-48H00-000	16-14	18531H2H000H000	15-2
12810H48000H000	08-3	13697H2H000H000	09-2	16510H2H000H000	16-16	18532H2H001H000	15-3
12830-02A10-000	08-5	13700H3A001H000	11-1	16520-48H00-000	16-17	18540H2H000H000	15-12
12837-48H00-000	08-6	13723H2H000H000	11-1-2	16591-48H00-000	03-24	18560-48H00-000	10-7
12840-20K10-000	07-2	13741H3A001H000	11-1-3	17091H3A000H000	14-40	18561H3A000H000	10-5
12842-492A0-000	07-2-1	13780H2H000H000	11-1-1	17400-48H01-000	13-1	18562H3A000H000	10-4
12843-39J20-000	07-2-2	13787H3A001H000	11-1-10	17662H2H000H000	14-2	18567H3A000H000	10-11
12861-48H00-000	07-3	13851H2H000H000	11-3	17663H2H000H000	14-3	18572H3A000H000	10-9
12911-20K00-000	07-4	13878-48H01-000	11-1-7	17664H3A000H000	14-5	18578-48H00-000	10-10
12912-20H20-000	07-5	13891H3A000H000	11-1-4	17670-48H11-000	14-1	18590-18K00-000	11-7
12920-48H10-000	07-6	14031H3A010H000	12-9	17710H2H100H000	14-8	18597H3A000H000	11-9
12931-27A30-000	07-7	14100H3A030H000	12-3	17712-48H00-000	14-17	18610H3A000H000	15-10
12932-27A10-000	07-8	14181-46E20-000	12-2	17740H2H000H000	14-11	18711H3A000H000	15-11
12933-81410-000	07-9	14413H3A000H000	12-13	17760H2H001H000	14-16	20000	
13110H53000H000	01-16	14414H7N001H000	12-14	17800H2K000H000	14-9		
13170-48H00-000	01-12	14459-20K01-000	12-9-9	17851H3A000H000	14-19		
13170H2H000H000	11-1-6	14771-20K00-000	12-8	17852-48H00-000	14-20		
13268-48700-000	09-1-4	14780H3A010H000	12-9-1	17853-48H20-000	14-21		

PART NO.	FIG. NO. – REF. NO.	PART NO.	FIG. NO. – REF. NO.	PART NO.	FIG. NO. – REF. NO.	PART NO.	FIG. NO. – REF. NO.
21111H53000H000	05-33	24252H53000H000	18-1-5	27531H53000H000	18-16	33541-38210-000	23-8-2
21112H53000H000	05-34	24261H53000H000	18-1-6	27600H3A020H118	18-17	33541-38210-000	23-9-2
21113H53000H000	05-37	24271-48H00-000	18-2			33542H05500H000	23-8-3
21114-35C00-000	05-35	24310H53010H000	18-7-3			33542H05500H000	23-9-3
21200H53020H000	17-2-1	24313-48H00-000	18-7-1			33620H2H011H000	22-1
21251H48H00H000	17-1	24320H53010H000	18-7-4	30000		33652-08410-000	28-21
21252-48H00-000	17-2-2	24331-48H00-000	18-7-5			33652-08410-000	38-22
21400H53020H000	17-2	24341-48H00-000	18-7-6			33652-33640-000	28-20
21411H53020H000	17-2-3	24351-48H00-000	18-7-7			33652-48H10-000	22-2
21412H53020H000	17-2-4	24361H53000H000	18-7-8			33652H79201H000	38-16
21413H53020H000	17-2-5	24741H53000H000	18-11	31100H48H00H000	20-1	33810H3A000H000	23-18
21441H53030H000	17-2-6	25211-48H00-000	19-1	31133H48H00H000	20-1-1	33820H3A000H000	22-3
21441H53040H000	17-2-7	25221-48H00-000	19-2	31133H48H10H000	20-1-2	33860H3A000H000	22-4
21451H53030H000	17-2-8	25311-48H00-000	19-5	31135H48H00H000	20-1-4	33960H37500H000	23-17
21451H53040H000	17-2-9	25312-48H00-000	19-11	31153H48H00H000	20-1-5	34100H3A000H000	24-1
21462H53020H000	17-2-10	25341-48H00-000	19-6	31156H48H10H000	20-1-6	34111H2K000H000	24-1-2
21471H53020H000	17-2-11	25350-48H00-000	19-13	31264H48H00H000	20-1-7	34124-20K00-000	24-1-3
21472H53020H000	17-2-12	25355-48H00-000	19-14	31281H48H00H000	20-1-8	34150H28F00H000	24-1-1
21473H53020H000	17-2-13	25380-48H02-000	19-8	31361H48H00H000	20-1-11	34383-10B00-000	24-1-4
21474H53020H000	17-2-14	25411-48H00-000	19-4	31361H48H10H000	20-1-10	34383H48H00H000	20-1-3
23110-48H00-000	17-6	25421-48H00-000	19-3	31362H48H00H000	20-1-9	34810H3A000H000	32-8
23117-48H00-000	17-7	25510-48H00-000	19-17	31800-48H01-000	23-1	35100H3A010H000	25-1
23121-48H00-000	17-8	25512-48H10-000	19-18	32100H3A000H000	21-1	35111H3A000H000	25-5
23122-48H10-000	17-9	25515-48H01-000	19-19	32101H3A000H000	21-1-1	35151-21J00-000	38-13
23271-48H00-000	17-10	25518-48H00-000	19-20	32102-48H00-000	21-1-2	35157H22501H000	38-4
24102H53010H000	18-1	25520H3A000H000	19-27-3	32491-48H00-000	21-2	35157H37200H000	11-1-9
24103H53020H000	18-7	25525H3A000H000	19-27-2	32800H2H000H000	23-4	35181-45F10-000	25-4
24120H53010H000	18-1-1	25600H3A010H000	19-27	32830H3A000H000	23-6	35601H3A001H000	26-1
24130H53010H000	18-7-2	25610H3A010H000	19-27-1	32920H3A000H000	23-16	35602H3A001H000	26-2
24221H53010H000	18-1-2	25617H3A000H000	19-28	33410H3A000H000	23-8	35603H3A001H000	26-3
24231H53000H000	18-1-3	25652-49000-000	19-27-1-1	33414H3A000H000	23-12	35604H3A001H000	26-4
24232H53000H000	18-7-11	25671-16H10-000	19-21	33420H3A000H000	23-9	35621H7W100H000	26-1-1
24232H53010H000	18-1-9	27510H53001H000	18-13	33424H3A000H000	23-13	35621H7W100H000	26-2-1
24232H53020H000	18-1-10	27513-48H00-000	18-14	33510-04H10-000	23-8-1	35621H7W100H000	26-3-1
24251H53000H000	18-1-4	27521-48H00-000	18-15	33510-04H10-000	23-9-1	35621H7W100H000	26-4-1

5

PART NO.	FIG. NO. – REF. NO.	PART NO.	FIG. NO. – REF. NO.	PART NO.	FIG. NO. – REF. NO.	PART NO.	FIG. NO. – REF. NO.
35629H7W100H000	26-1-2	37820-48H01-000	03-25	43516H3A000H000	31-1-3	44240-45F11-000	10-18
35629H7W100H000	26-2-2	37822-48H00-000	03-25-1	43516H3A000H000	31-2-3	44256H12910H000	32-4
35629H7W100H000	26-3-2	37840H3A000H000	28-33	43520H3A000H000	31-2-1	44256H3A001H000	39-17
35629H7W100H000	26-4-2	38500H2H020H000	28-35	43535H3A000H000	31-1-7	44256H40100H000	39-18
35710H3A000H000	27-1	38610H2J001H000	26-5	43535H3A000H000	31-2-7	44262-20K00-000	32-15
35910H2J002H000	27-3	38860-42J00-000	28-1-3	43550-45F00-000	31-13	44272H3A000H511	33-3
35950H2J001H000	27-4	39410H2H010H000	28-23	43551H3A000H000	31-1-6	44282H3A000H511	33-4
35970H2C001H000	27-5	39411H2H001H000	28-25	43551H3A000H000	31-2-6	44283H3A001H000	32-1-1
36610H3A000H000	28-1	39420H7U011H000	28-24	43571H3A000H000	31-1-2	44423H3A000H000	32-22
36618H2A000H000	28-9			43572H3A000H000	31-5	44424H2H000H000	32-26
36618H2D000H000	28-14			43576H3A000H000	31-1-8	44424H3A000H000	32-24
36618H3A020H000	28-10			43576H3A000H000	31-2-8	44434H3A000H000	10-15
36618H79201H000	28-8	40000		43581H3A000H000	31-2-2	44435H3A000H000	10-20
36651-12F10-000	28-13			43582H3A000H000	31-6	44436H3A000H000	10-22
36651H2H010H000	28-12			43583H3A000H000	31-8	44438-48H10-000	32-25
36656H3A000H000	28-18	41100H3A001H000	29-1	43610-45F00-000	31-11	44452H05501H000	10-21
36743H2H001H000	28-11	41152H3A002H000	29-13	43613-45F00-000	31-14	44486H7D000H000	14-44
36851H3A000H000	28-22	41170H3A000H000	29-1-1	43614H3A000H000	31-15	44511-20K01-000	32-18
36990-32G00-000	28-5	41291H3A001H000	29-7	43710-45F00-000	31-12	44511H2J001H000	32-11
36990-32G40-000	28-4	41498-48H00-000	29-2	43810H3A000H000	29-8	44512-20K00-000	32-12
36990-32G40-000	45-14	41577H3A000H000	30-12	44011H3A020H128	32-1	44512-48H00-000	32-19
36990H2J000H000	28-16	41757H3A000H000	29-4	44011H3A020H511	32-1	44513-48H10-000	32-14
37011H2H030H000	28-37	41757H3A010H000	29-19	44011H3A020H517	32-1	44515H2J000H000	32-13
37100H2H010H000	28-26	41965H3A000H000	29-10	44011H3A020H612	32-1	44541H3A000H000	32-16
37146H2H010H000	28-38	41992H3A000H000	29-14	44150H3A000H000	33-9	44542H3A001H000	32-17
37146H30120H000	55-5	42310H3A000H000	30-1	44151H3A000H000	32-20	44883-26E00-000	10-13
37152-20K00-000	28-27	42421-48H00-000	30-3	44172H3A000H000	33-5	44894-45F10-000	10-19
37155H2J000H000	28-30	42422-48H00-000	30-4	44174H3A000H000	33-7	45100H3A000H000	41-1
37180-20K30-000	28-28	43110H3A000H000	30-6	44182H3A000H000	33-6	45146H3A000H000	38-14
37187H2H000H000	32-6	43130H22500H000	44-8	44184H3A000H000	33-8	45147-12FB0-000	41-1-2
37200H3A000H000	37-1	43130H22500H000	51-16	44192H3A000H000	33-1	45148-20G50-000	41-2-2
37400H3A000H000	37-2	43310H3A000H000	30-7	44193H3A000H000	33-2	45148H3A000H000	41-3
37730H3A000H000	19-32	43501H3A000H000	31-1	44196H3A000H000	32-5	45160H3A000H000	41-1-1
37740H3A000H000	28-32	43502H3A000H000	31-2	44200H2J010H000	32-2	45180H3A000H000	41-7
37740H7R000H000	47-2	43510H3A000H000	31-1-1	44211-48H00-000	32-3	45300H3A010H000	41-2

PART NO.	FIG. NO. – REF. NO.	PART NO.	FIG. NO. – REF. NO.	PART NO.	FIG. NO. – REF. NO.	PART NO.	FIG. NO. – REF. NO.
45360H3A000H000	41-2-1	50000		53011H3A000HF02	35-1	56500H3A000H000	36-3
45511H3A000H128	42-1			53011H3A000HF03	35-1	56600H3A000H000	36-4
45511H3A000H511	42-1			53011H3A000HF04	35-1	57110-48H01-000	37-3
45511H3A000H517	42-1			53112H3A000H000	35-6	57211-48H01-000	37-4
45511H3A000H612	42-1			53145H3A000H000	35-7	57300H3A000H000	47-1-2
45513H3A010H000	42-7	51103H3A001H000	43-1	54111H3A000H000	44-1	57431-17H02-000	47-1-2-1
45521-45F00-000	42-2	51104H3A001H000	43-2	54162-44H20-000	44-14	57431H3A030H000	37-5-5
45541H3A000H000	42-9	51153H3A000H000	43-1-1	54162-44H20-000	51-6	57441H3A000H000	37-5-3
45542H3A000H000	42-11	51153H3A000H000	43-2-1	54711H3A000H000	44-10	57442H3A001H000	37-5-4
46220H3A000H000	41-10	51156H3A000H000	43-1-2	54713-37G00-000	43-27	57500H3A042H000	37-5
46228H3A000H000	41-13	51156H3A000H000	43-2-2	54731H3A000H000	44-2	57511H3A000H000	37-5-2
46229H3A001H000	41-9	51159H3A000H000	43-28	54751H2H000H000	44-11	57560-48H00-000	37-5-8
47011H3A020HF01	34-3	51166-48H10-000	43-5	54841H2H000H000	44-3	57621H3A050H000	37-5-1
47011H3A020HF02	34-3	51173H3A000H000	43-1-3	55110H3A010H000	44-9	57661H2C100H000	37-6
47011H3A020HF03	34-3	51173H3A000H000	43-2-3	55411-48H00-000	44-4	58200H3A000H000	36-5
47011H3A020HF04	34-3	51175H3A000H000	43-1-4	55411-48H00-000	51-12	58310H3A000H000	36-6
47021H3A020HF01	34-4	51175H3A000H000	43-2-4	55412-48H00-000	44-5	58320H3A000H000	36-7
47021H3A020HF02	34-4	51226H3A000H000	43-25	55412-48H00-000	51-13	58521H2H002H000	28-17
47021H3A020HF03	34-4	51311H3A000H000	43-4	55413-48H00-000	44-6	58521H2K000H000	29-20
47021H3A020HF04	34-4	51313H3A000H000	43-7	55413-48H00-000	51-14	58521H3A000H000	36-11
47111H3A000H000	34-1	51328H2J000H000	43-2-5	55610H3A010H000	45-1	59061H3A020H000	47-1
47112-21K00-000	34-13	51353-48H00-000	43-9	55660H3A000H000	45-2	59121-01A00-000	46-1-3
47119H3A000H000	38-23	51410H3A000H000	43-3	55662H2H000H000	45-6	59121-01A00-000	52-1-1
47121H3A000H000	34-14	51515H3A000H000	43-8	55710H3A000H000	45-4	59122-01A00-000	46-1-2
47131H3A000H000	34-20	51520H3A000H000	39-12	55731H3A000H000	45-3	59122-01A00-000	52-1-2
47211H3A000H000	34-2	51612-48H00-000	43-14	55734H2H000H000	45-12	59200H3A010H000	48-1
47217H3A000H000	34-5	51613-48H00-000	43-15	55734H3A000H000	45-13	59211H2H001H000	44-12
47218H3A001H000	34-6	51622-48H00-000	43-16	55734H3A011H000	45-15	59242H5A000H000	53-12
47221H3A000H000	34-17	51631-48H00-000	43-11	56032H3A020H000	39-7	59245H3A010H000	48-8
47312H02100H000	34-11	51643-49002-000	43-12	56111H3A000H000	36-1	59246H3A000H000	48-10
47321H3A000H000	34-19	51644-48H01-000	43-17	56211H2K000H000	43-18	59300H2KY00H000	46-1-1
47352-20K01-000	34-12	51811H3A000H000	39-1	56221H2K000H000	43-21	59300H3A000H000	46-1
47435H2J001H000	38-27	51813H3A000H000	39-24	56240H2K000H000	43-23	59400H3A010H000	48-2
48125H3A000H000	38-15	51821H3A000H000	39-8	56245H2K000H000	43-22	59464-48H00-000	53-6
48292-32GH0-000	34-8	53011H3A000HF01	35-1	56270H3A000H000	36-2	59464-48H00-000	48-3

5

PART NO.	FIG. NO. – REF. NO.	PART NO.	FIG. NO. – REF. NO.	PART NO.	FIG. NO. – REF. NO.	PART NO.	FIG. NO. – REF. NO.
59464H40100H000	53-14	61421-48H10-000	49-16	68319H40010H000	40-2	92125-33GC0-000	55-1-2
59464H40100H000	48-11	61445-48H00-000	51-26	68332H3A020H000	40-1	92125-33GC0-000	55-2-2
59492-48H00-000	53-9	61455-48H00-000	51-3	68389-45F00-000	29-5	92125-33GC0-000	28-19
59492-48H00-000	48-6	62100H3A000H000	50-1	69100H2KY00H000	52-1-3	92125-33GC0-000	33-18
59492-48H40-000	53-5	62478H37200H000	32-10	69100H3A000H000	52-1	92311H3A000H000	38-12
59492-48H40-000	48-7	63111H3A000H000	38-1	69200H3A000H000	53-8	93115H3A001H000	55-1-4
59600H3A000H000	47-1-1	63112H3A000H000	38-8	69211H2H002H000	51-4	93115H3A001H000	55-2-4
59660H2KY00H000	47-1-1-1	63114H3A000H000	38-21	69222-48H00-000	44-13	93119H3A000H000	55-1-5
59664-32F00-000	47-1-1-2	63115H3A000H000	38-17	69222-48H00-000	51-5	93120H3A000H000	55-2-5
59666-44300-000	47-1-1-1-1	63121H3A000H000	38-2	69260-20K00-000	53-10	94210H3AY00H000	54-1
59667-44B00-000	53-1-2-1	63124H3A000H000	38-11	69400H3A000H000	53-7	94217H2H001H000	54-1-6
59667-49460-000	47-1-1-3	63125H3A000H000	38-18	69600H3A000H000	53-1-1	94217H2H100H000	54-1-3
59668-21D20-000	53-1-2-2	63149H3A000H000	38-25	69601H3A000H000	53-1	94223H2H000H000	54-1-4
59668-41C00-000	47-1-1-4	63151H3A000H000	38-6	69660H3AY00H000	53-1-1-1	94321H2H000H000	14-47
59669-48H30-000	47-1-1-5	63325H3A000H000	38-10	69665-47H00-000	53-1-1-1-1	94577H12E00H000	34-16
59671-32F00-000	47-1-1-6	64111H3A000H000	51-1	69669H3A000H000	53-1-2-3	94611H3A000H000	39-14
59671H3A001H000	37-5-10	64511H3A000H000	51-20	69670-48H10-000	53-1-1-2	94613H3A000H000	39-15
59675-02FA0-000	47-1-1-7	64611H3A000H000	51-18	69672-00B20-000	53-1-1-3	94614H3A000H000	39-20
59735-17C00-000	53-1-4	64616H2H000H000	51-24	69674-00B20-000	53-1-1-4	94615H3A000H000	39-21
		64651H2H000H000	51-17	69686-34200-000	53-1-1-5	94616H3A000H000	39-23
60000		64711H3A000H000	51-2	69689-36E00-000	53-1-2-4	94810H3A000H000	56-1
		64721-48H00-000	51-27	69689-49300-000	47-1-1-8	94820H3A000H000	56-2
		64733H2H001H000	51-22	69691-04A00-000	53-1-1-1-2	95300H48H10H000	55-3
		64741H2H001H000	51-8	69693-24A00-000	53-1-1-6	95400H3A011H128	55-1
		64751H3A000H000	51-25	69730H3A000H000	53-1-3	95400H3A011H501	55-1
61000H3A000H000	49-1	64916H3A000H000	51-15	69740H3A000H000	53-1-2	95400H3A011H511	55-1
61211H3A000H000	49-4	65110H3A010H000	51-11	69750H3A000H000	53-3	95400H3A011H612	55-1
61251-48H00-000	49-5	65710H3A000H000	45-5			95412H3A000H000	55-1-3
61262-48H10-000	49-6	68111H3A000H000	32-1-2			95421H3A000H000	55-1-1
61273-48H01-000	49-7	68121H3A000H000	32-1-3			95430-48H00-000	55-1-6
61282H3A000H000	49-8	68130H3A000HUK1	34-3-1	90000		95450H48H10H000	55-3-1
61310H3A000H000	49-13	68130H3A000HUK1	34-4-1			9545AH3A000H000	55-4
61395H3A000H000	49-2	68151H2H010HSIL	35-1-1			95462H3A000H000	55-1-10
61395H3A010H000	49-3	68170H3A000H000	39-7-1			95462H3A000H000	55-2-10
61410H2H000H000	49-15	68311H30180H000	29-6			95500H3A011H128	55-2

PART NO.	FIG. NO. – REF. NO.
95500H3A011H501	55-2
95500H3A011H511	55-2
95500H3A011H612	55-2
95512H3A000H000	55-2-3
95521H3A000H000	55-2-1
95530-48H00-000	55-2-6
95700H3A000H000	41-14
95729-053G0-000	41-15
99011H3A010H000	40-3

Haojue TR300 PARTS CATALOGUE

1st Edition

Published in 2023.3

DACHANGJIANG GROUP CO.,LTD.

No.5, Jiandabei Rd., Jiangmen City, Guangdong Province, P.R.China

Tel: 86-750-3288999 Fax: 86-750-3230989 Code: 529000

DACHANGJIANG GROUP COPYRIGHT POSSESSION.

DACHANGJIANG GROUP CO. , LTD.