

Haojue

PARTS CATALOGUE

TZ150 PRO

PREFACE

This catalogue lists the spare parts used for the following model. Please do refer to the parts catalogue and indicate the parts number and the name listed in this catalogue correctly when you need to replace the spare parts.

Design Code	Factory Reference No. (Abbr. form in the catalogue)	Engine Reference No.	Engine Cad No.
TZ150 PRO	KF363EU300-XXE05	EG3EU10-E05	10091H3E055H000

一、 How to place an order for spare parts?

1. Required document:

The number must be provided as follow when order the spare parts:

- (a) The Engine parts: parts number and the Engine number
- (b) The Body parts: parts number and the Frame number

2. Revision

The Revised Version would be published at a suitable time when the parts Catalogue needed to be revised or renewed. In this case, the edition number would be marked on the cover. The parts would have some difference because our products are improved continuously and the modified parts no. will not be informed before the new edition published.

二、 How to use the parts catalogue?

1. Size

The unit of the parts' size indicated in the catalogue is 'mm', for example:

Parts name	Description
Bolt 6×12	Diameter 6mm, Length 12mm

O Ring D: 3.0, ID: 29.5	Section diameter 3mm, inner diameter 29.5mm
Bearing 35×72×17	Inner diameter 35mm, Outer diameter 72mm, Thickness 17mm

2. Abbr.

The meaning of the Abbreviations in the catalogue are as the followings:

D: Section diameter NT: Number of Teeth L: Length ID: Inner diameter W: Width

OPT: Optional T: Thickness OD: Outer diameter OS: Over size

STD: Standard US: Under size LH: Left hand side RH: Right hand side

3. Assy and the inner parts

The part number with a hyphen '-' in the front means this part could be supplied with the Assy (or the comp.), also could be supplied separately.

For example:

Item 1 CYLINDER HEAD ASSY

Item1-1 PIN,CAMSHAFT COVER

That means Item1-1 can be supplied with Item 1 and aslo can be supplied separately.

4. The illustrations in the catalogue are just for the purpose to distinguish the parts. There might be some discrepancies between the illustrations and the real parts.. Furthermore, the illustrations can not be used for the assembling purpose. When assembling, pls use the Service Manual of the relative models.

5. The instruction for the color parts

The catalogue lists are being supervised by color code.

For example: Assy,Fuel Tank 44100H22000HF01 F01 is the colour code and means "RED".

When place an order for the color parts, please use the correct parts number (with the color code), based on the compound color sheet of the models.

This catalogue is edited according to the datas before 2021-11-3. The modification after that time should refer to the latest SPS(Spare Parts Modification notice).

TZ150 PRO COLOR TABLE KF363EU300–XXE05 5 COLOR STYLES

REF. NO.	DESCRIPTION	PART NO.	a01 RED	a02 BLACK	a03 MAUVE	a05 GRAY	a06 BLUE	REMARKS
1	FUEL TANK SET	44011H36711H000	F01	F02	F03	F05	F06	
2	TAPE SET, FUEL TANK	68100H36730H000	S58	S59	S80	S82	UJ1	NOT SUPPLY
3	COVER, FRAME, R	47111H36300H000	A46	A28	A61	A84	A34	
4	COVER, FRAME, L	47211H36301H000	A46	A28	A61	A84	A34	
5	TAPE SET, FRAME COVER TYPE	68130H36750H000	S58	S59	S80	S82	UJ1	
6	COVER, SEAT TAIL	45511H36800H000	102	541	701	808	623	
7	TAPE SET, SEAT TAIL COVER	68160H36730H000	S58	S59	S80	S82	UJ1	
8	HOUSING, HEADLAMP	51811H36300H000	102	541	701	808	623	
9	FENDER, FRONT	53111H36710H000	102	541	701	808	623	
10	WHEEL, FRONT	54111H36900H000	511	511	511	511	511	
11	WHEEL COMP, REAR	64150H36301H000	511	511	511	511	511	
12	DISC, RONT BRAKE	59211-05500-000	504	504	504	504	504	

INFORMATION ILLUSTRATION INDEX

1

ENGINE & TRANSMISSION

2

ELECTRICAL

3

BODY

4

PARTS NUMBER INDEX

5

Fig. 1 CYLINDER HEAD&CYLINDER HEAD COVER (P05-S010-0028)

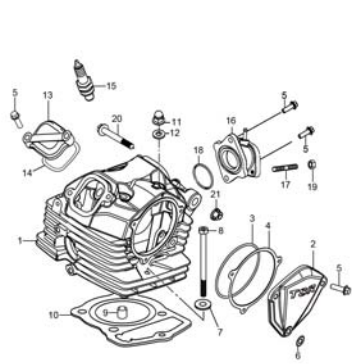


Fig. 2 CYLINDER (P05-S020-0019)

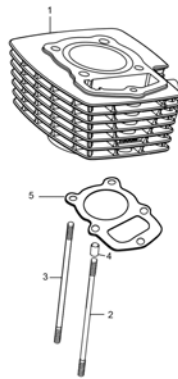


Fig. 3 CRANKCASE (P05-S030-0018)

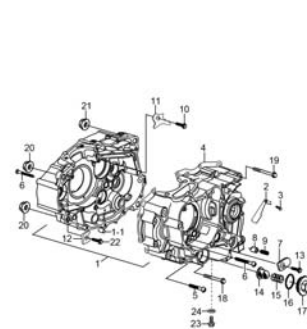


Fig. 4 CRANKCASE COVER (P05-S040-0022)

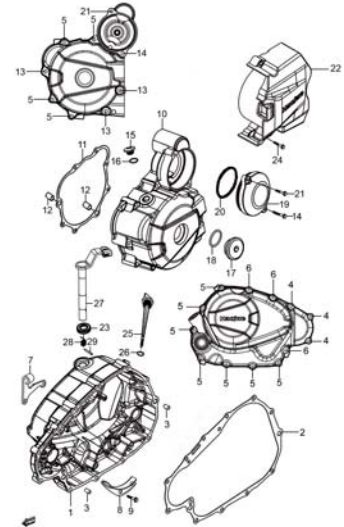


Fig. 5 CRANKSHAFT (P05-S050-0041)

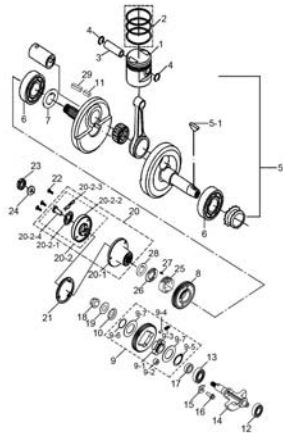


Fig. 6 STARTER CLUTCH (P05-S060-0006)

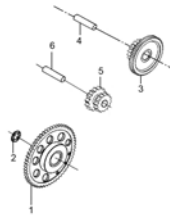


Fig. 7 CAMSHAFT-VALVE (P05-S070-0007)

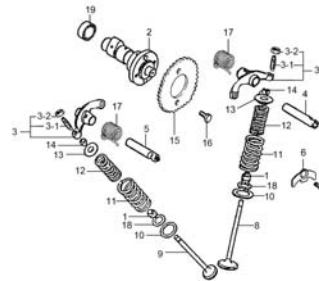
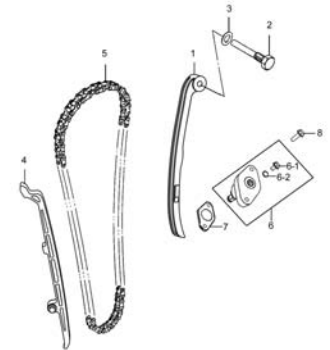


Fig. 8 CAM CHAIN (P05-S080-0010)



1

Fig. 9 CARBURETOR (P05-S090-0048)

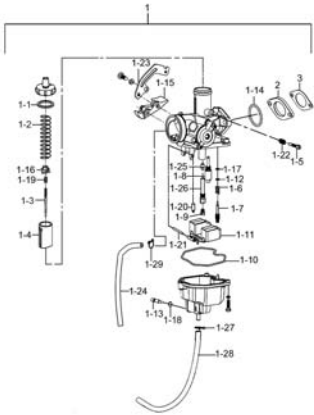


Fig. 10 AIR CLEANER (P05-S100-0024)

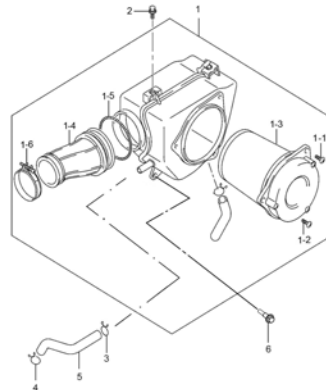


Fig. 11 MUFFLER (P05-S110-0048)

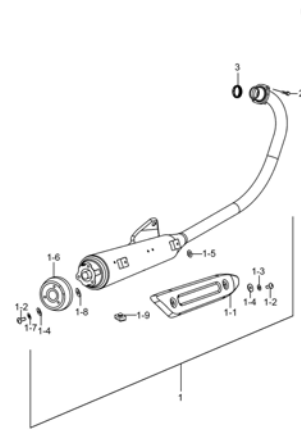


Fig. 12 2ND AIR VALVE (P05-S120-0031)

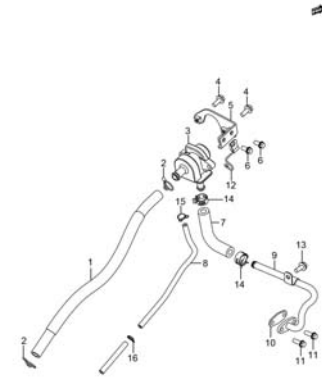


Fig. 13 OIL PUMP (P05-S130-0004)

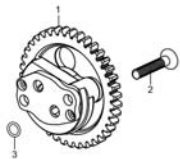


Fig. 14 CLUTCH (P05-S140-0015)

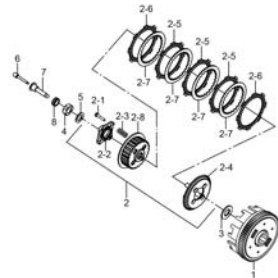


Fig. 15 TRANSMISSION (P05-S150-0020)

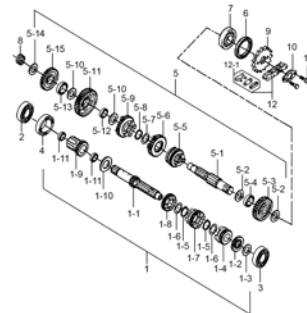


Fig. 16 GEAR SHIFTING (P05-S160-0012)

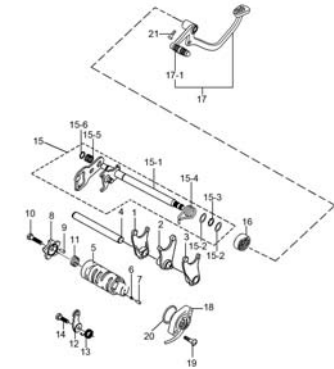


Fig. 17 KICK STARTER (P05-S165-0004)

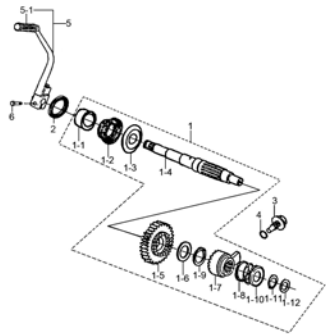


Fig. 18 STARTING MOTOR (P05-S170-0008)

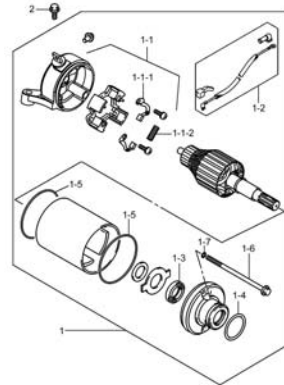


Fig. 19 MAGNETO (P05-S180-0019)

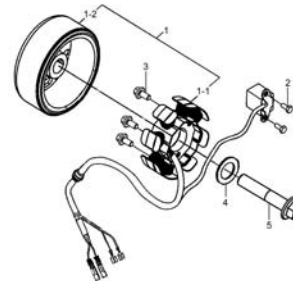


Fig. 20 BATTERY (P05-S190-0016)

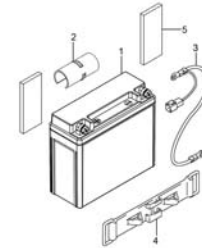


Fig. 21 ELECTRICAL (P05-S200-0044)

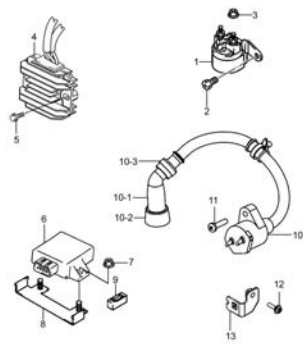


Fig. 22 SPEEDOMETER (P05-S210-0041)

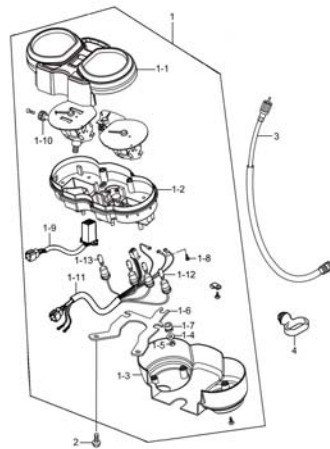


Fig. 23 HEADLAMP (P05-S220-0023)

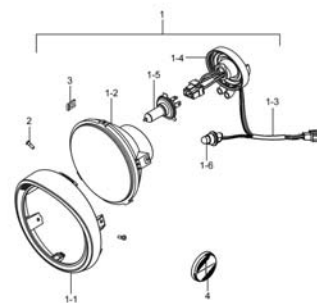


Fig. 24 TURN SIGNAL LAMP (P05-S230-0032)

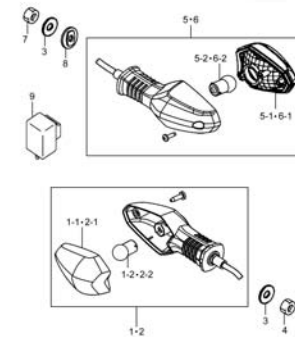


Fig. 25 REAR COMBINATION LAMP (P05-S240-0029)

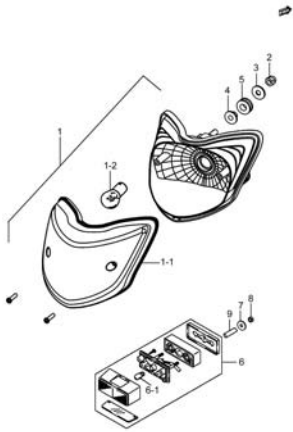


Fig. 26 WIRING HARNESS (P05-S250-0048)

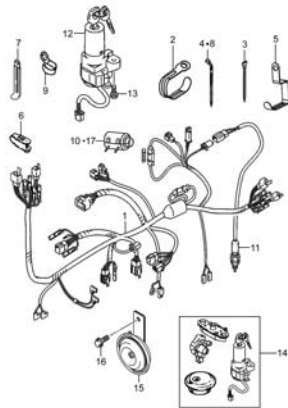


Fig. 27 FRAME (P05-S260-0077)

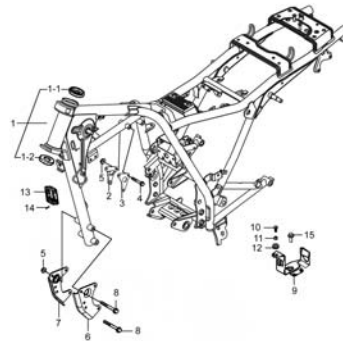


Fig. 28 STAND (P05-S270-0031)

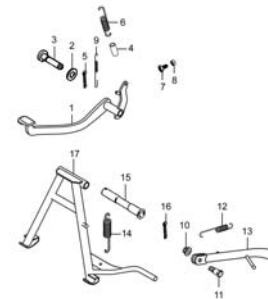


Fig. 29 FOOTREST (P05-S280-0024)

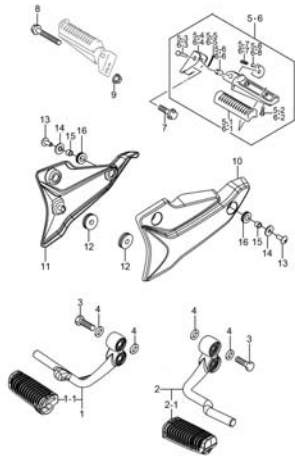


Fig. 30 FUEL TANK (P05-S290-0050)

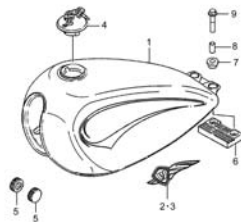


Fig. 31 FUEL COCK (P05-S300-0023)

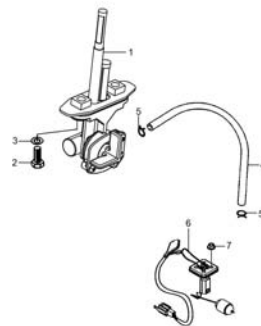


Fig. 32 FRAME COVER (P05-S310-0052)

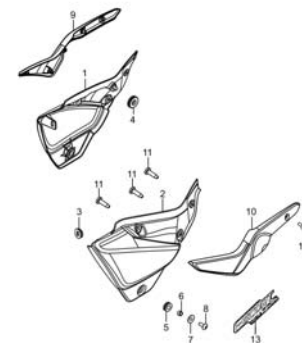


Fig. 33 FRONT FENDER (P05-S320-0028)

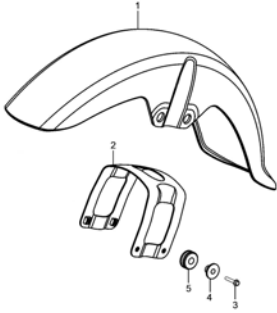


Fig. 34 HANDLEBAR (P05-S330-0065)

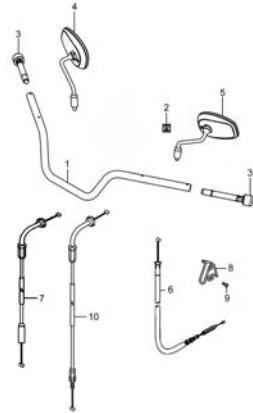


Fig. 35 HANDLE SWITCH (P05-S340-0050)

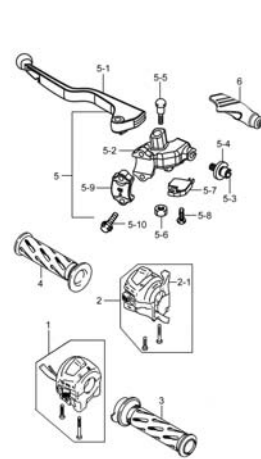


Fig. 36 REAR FENDER (P05-S350-0035)

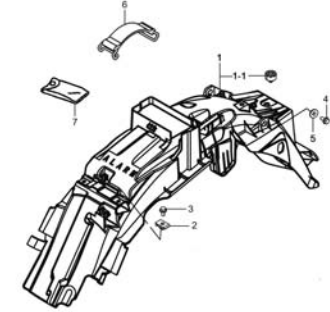


Fig. 37 HOUSING, HEADLAMP (P05-S355-0001)

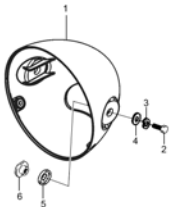


Fig. 38 LABEL (P05-S370-0068)

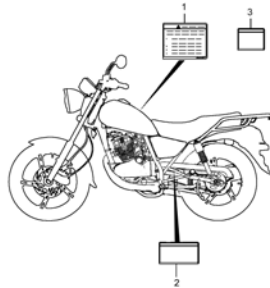


Fig. 39 SEAT (P05-S380-0024)

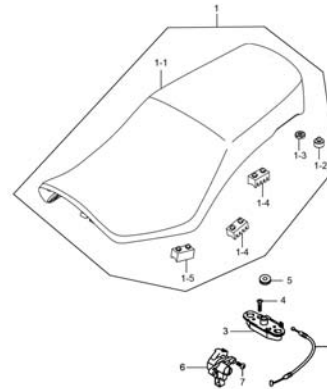


Fig. 40 COVER, SEAT TAIL (P05-S390-0044)

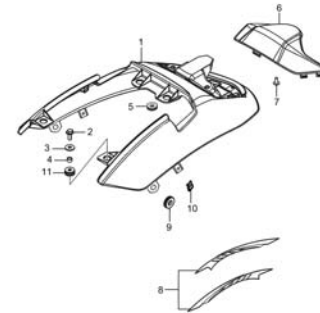


Fig. 41 STEERING STEM (P05-S400-0050)

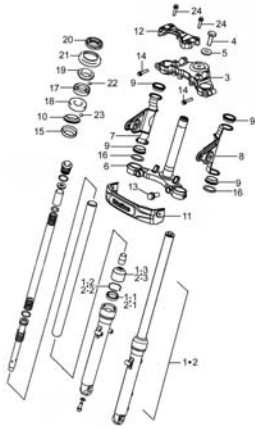


Fig. 42 FRONT WHEEL (P05-S410-0040)

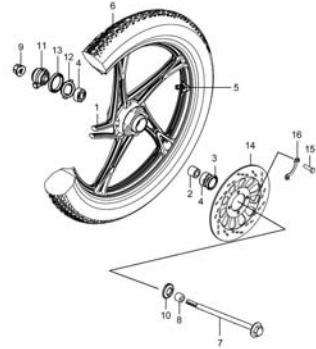


Fig. 43 FRONT CALIPER (P05-S420-0009)

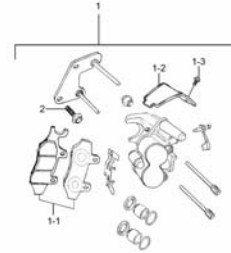


Fig. 44 FRONT BRAKE CYLINDER (P05-S430-0009)

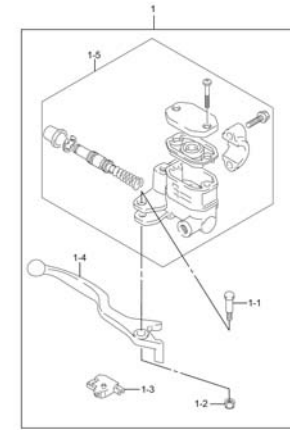


Fig. 45 HOSE, FRONT BRAKE (P05-S435-0010)

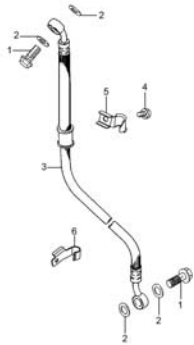


Fig. 46 REAR SWINGING ARM (P05-S440-0015)

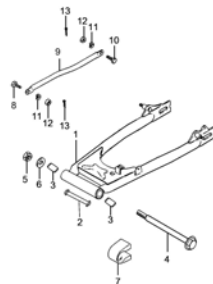


Fig. 47 REARSHOCK ABSORBER (P05-S450-0023)

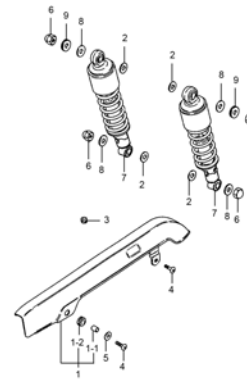


Fig. 48 REAR WHEEL (P05-S460-0071)

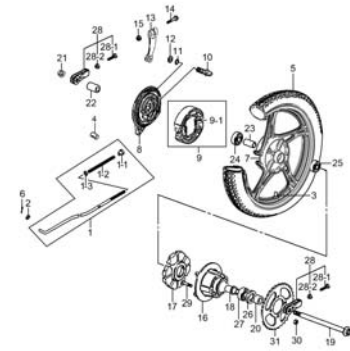
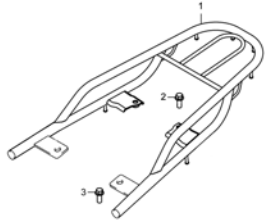


Fig. 49 CARRIER (P05-S480-0028)



1

Fig.1

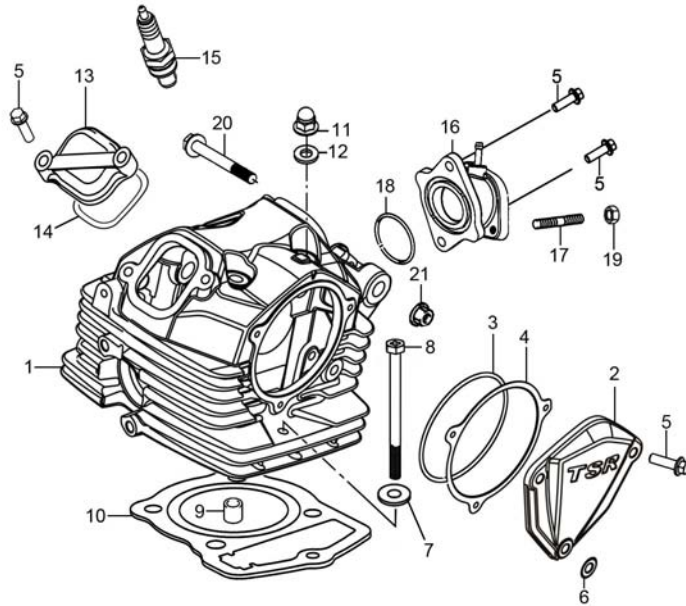


Fig.1 CYLINDER HEAD&CYLINDER HEAD COVER (P05-S010-0028)

REF. No.	PART No.	DESCRIPTION	Q'TY	REMARKS
1	11110H3E0A0H000	HEAD COMP, CYLINDER	1	
2	11121H3F000H000	COVER, CYLINDER HEAD, L	1	
3	09280H75001H000	O-RING	1	
4	11123H3F010H000	WASHER, CYL HEAD COVER, L	1	
5	01547-0620A-000	BOLT	9	
6	09168-06023-000	GASKET, CSHAFT COVER R SCREW	1	
7	11167H12000H000	WASHER, PLAIN (COPPER)	1	
8	09128H06006H000	BOLT, HEX WITH CROSS RECESS	1	
9	09206H10008H000	PIN	2	
10	11141H3F000H000	GASKET, CYLINDER HEAD	1	
11	11165H35010H000	NUT, TECTIFORM	4	
12	09160H08003H000	WASHER	4	
13	11175H3F000H000	CAP, INSPECTION	2	
14	09280H50003H000	O-RING	2	
15	09482-00399-000	SPARK PLUG (NGK, DR8EA)	1	
16	13110H3E001H000	PIPE COMP, INTAKE	1	
17	09108H06014H000	BOLT, STUD	2	
18	09280H34002H000	O-RING	1	
19	08310-0006A-000	NUT	2	
20	09103H08013H000	BOLT, HEXAGON	1	
21	08319-3108A-000	NUT	1	

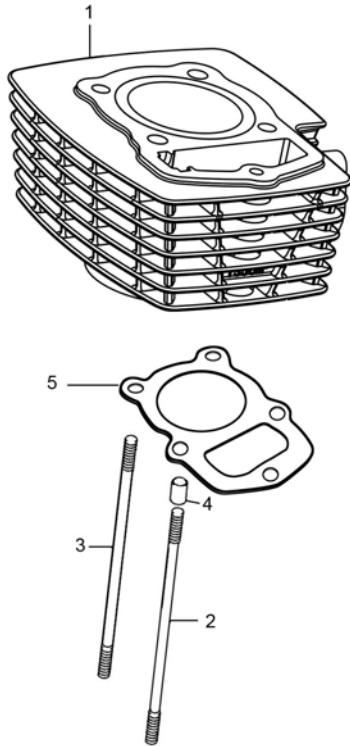
2



Fig. 2

Fig.2 CYLINDER (P05-S020-0019)

REF. No.	PART No.	DESCRIPTION	Q' TY	REMARKS
1	11210H3E030H0B0	CYLINDER COMP	1	
2	11243H35000H000	BOLT, CYL SYUD	2	
3	11244H35000H000	STUD BOLT B, CYLINDER	2	
4	09206H10007H000	PIN, KNOCK	2	
5	11241H3E000H000	GASKET, CYLINDER	1	



2



Fig. 3

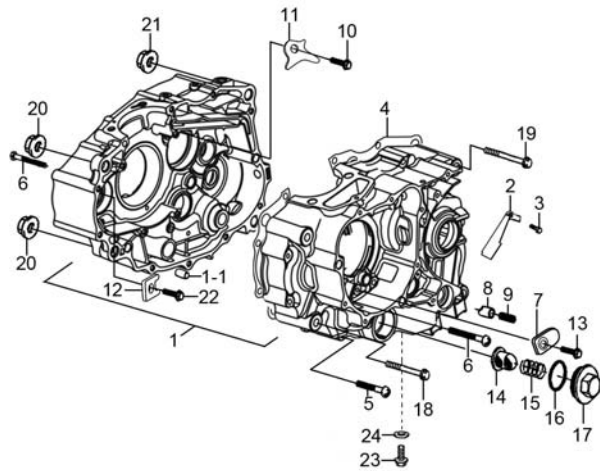


Fig.3 CRANKCASE (P05-S030-0018)

REF. No.	PART No.	DESCRIPTION	Q'TY	REMARKS
1	11300H3CY21H000	CRANKCASE COMP ASSY	1	
1-1	09206H10007H000	PIN, KNOCK	2	
2	32115H35000H000	PLATE, WIRE PRESSURE	1	
3	01547-0612A-000	HEXAGON BOLT WITH FLANGE	1	
4	11481H3E000H000	GASKET, CRANKCASE	1	
5	01547-0650A-000	BOLTS, HEXAGON HEAD FLANGE	11	
6	01547-0660A-000	BOLT	4	
7	12545H36010H000	PLATE, BRG PUSH PIN SPRING	1	
8	12543H36010H000	PIN, BRG PUSH	1	
9	09440H07002H000	SPRING, COMPRESSION	1	
10	01547-0614A-000	BOLTS, HEXAGON HEAD FLANGE	1	
11	24741H36000H000	RETAINER, CNTR SHAFT BEARING	1	
12	12659H3C000H000	RETAINER, CRANK BAL BRG	1	
13	09100-06026-000	BOLT	1	
14	16520H21D01H000	STRAINER COMP, ENG OIL	1	
15	16541H33001H000	SPRING, ENGINE OIL FILTER	1	
16	09280H35001H000	O-RING	1	
17	16542H36000H000	COVER, FILTER SPRING	1	
18	09103H08016H000	BOLT, HEXAGON	2	
19	09103H10003H000	BOLT, HEXAGON	2	
20	08319-3108A-000	NUT	2	
21	08319-3110A-000	NUT	2	
22	01547-0665A-000	BOLTS, HEXAGON HEAD FLANGE	1	
23	09247H12001H000	PLUG	1	
24	11522H33000H000	GASKET	1	

2



Fig. 4

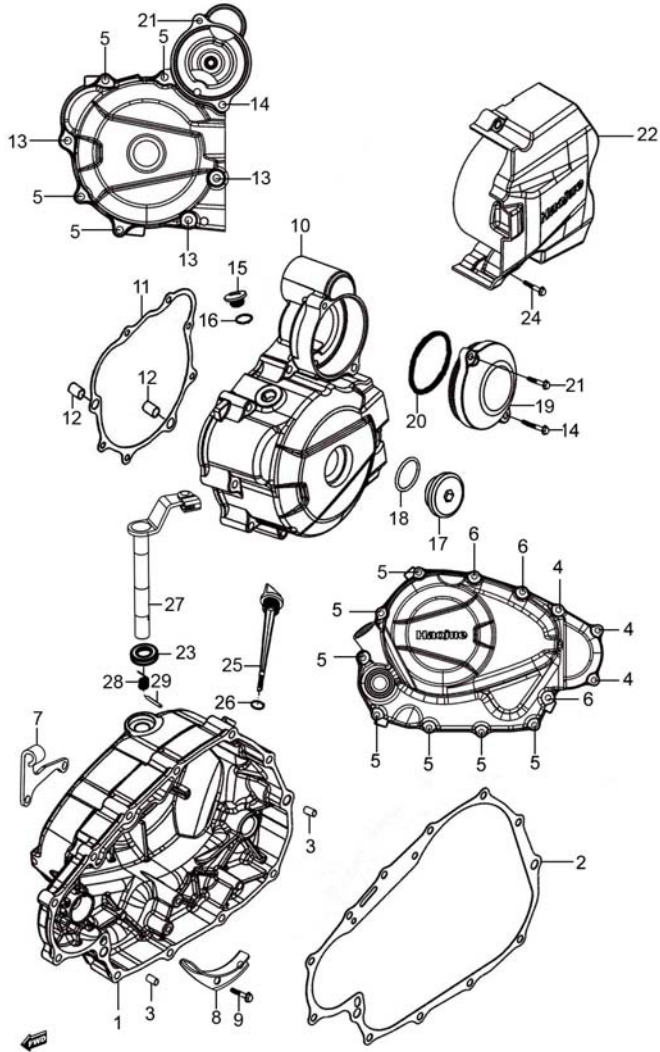


Fig.4 CRANKCASE COVER (P05-S040-0022)

REF. No.	PART No.	DESCRIPTION	Q' TY	REMARKS
1	11340H2A440H000	COVER COMP, CLUTCH	1	
2	11482H3E000H000	GASKET, CLUTCH COVER	1	
3	09206H08004H000	PIN, KNOCK	2	
4	01547-0628A-000	BOLTS, HEXAGON HEAD FLANGE	3	
5	01547-0640A-000	BOLTS, HEXAGON HEAD FLANGE	11	
6	01547-0645A-000	BOLT	3	
7	11421H3C010H000	BRACKET, CLUTCH CABLE	1	
8	12511H3C000H000	PLATE, OIL GUIDE	1	
9	01547-0612A-000	HEXAGON BOLT WITH FLANGE	2	
10	11351H2A400H000	COVER, MAGNETO	1	
11	11483H3E000H000	GASKET, MAGNETO COVER	1	
12	09206H10007H000	PIN, KNOCK	2	
13	01547-0650A-000	BOLTS, HEXAGON HEAD FLANGE	3	
14	01547-0670A-000	BOLTS, HEXAGON HEAD FLANGE	1	
15	09247-12104-000	PLUG, TDC	1	
16	09168H12002H000	GASKET	1	
17	09259-26023-000	PLUG	1	
18	09280-22008-000	O-RING	1	
19	11441H36031H000	COVER, GEAR CASE	1	
20	09280H63001H000	O-RING	1	
21	01547-0620A-000	BOLT	1	
22	11361H3E002H000	COVER, ENG SPROCKET	1	
23	23285H35000H000	SEAL, RELEASE POLE	1	
24	01547-0635A-000	BOLT	2	
25	11971H12020H000	GAUGE, OIL LEVEL	1	
26	09280H18002H000	O RING	1	
27	23270H3D020H000	SHAFT COMP, CLUTCH RELEASE	1	
28	09448H15001H000	SPRING, TORSION	1	
29	09205H03001H000	PIN, SPRING	1	

Fig. 5

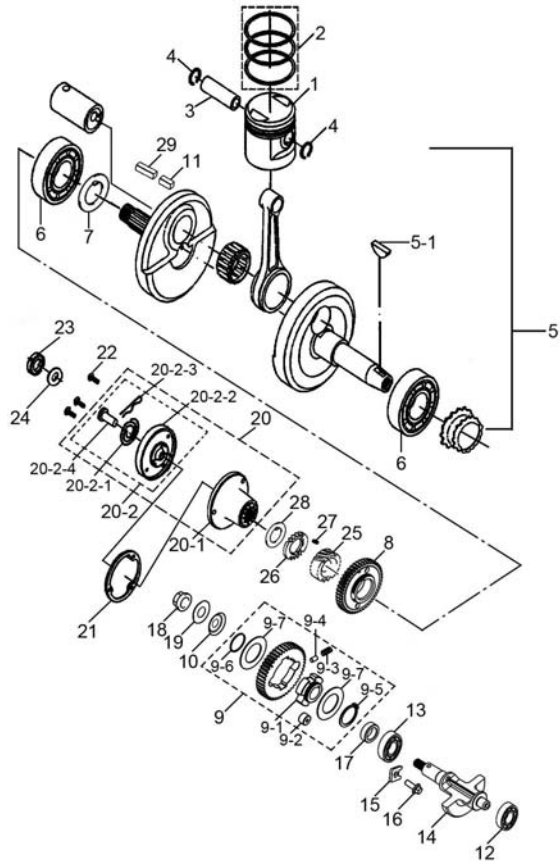


Fig.5 CRANKSHAFT (P05-S050-0041)

REF. No.	PART No.	DESCRIPTION	Q'TY	REMARKS
1	12111H3E010H0B0	PISTON	1	
2	12140H3E020H000	RING SET, PISTON	1	
3	12151H3E000H000	PIN, PISTON	1	
4	09381H14001H000	RING, SNAP	2	
5	12200H3E010H000	CRANKSHAFT ASSY	1	
5-1	09420H04002H000	KEY	1	
6	09262H35005H000	BEARING	2	
7	09181-35108-000	SHIM, CRANKSHAFT ASSY	1	
8	12661H3D000H000	GEAR, CRANK BALANCER DRIVE	1	
9	12670H3E000H000	GEAR COMP, CRANK BAL DRIVEN	1	
9-1	12679H3E000H000	RACE, CRK BAL DRIVEN GEAR	1	
9-2	12686-26H00-000	DAMPER, CRANK BALANCER GEAR	2	
9-3	09440H09001H000	SPRING, COMPRESSION	2	
9-4	09202H05004H000	PIN	2	
9-5	09380H24001H000	RING, SNAP	1	
9-6	09380H24002H000	RING, SNAP	1	
9-7	09181H25002H000	SHIM	2	
10	09164H13001H000	WASHER, WAVE	1	
11	09421H04001H000	KEY	2	
12	09262H12005H000	BEARING	1	
13	09262H17004H000	BEARING	1	
14	12651H3E000H000	BALANCER, CRANK	1	
15	12659H3C000H000	RETAINER, CRANK BAL BRG	1	
16	01547-0614A-000	BOLTS, HEXAGON HEAD FLANGE	1	
17	09180H16002H000	SPACER	1	
18	08316-1012A-000	NUT	1	
19	09181H12002H000	WASHER	1	
20	16052H3D000H000	FILTER SET, ENGINE OIL	1	
20-1	16514H3D000H000	BODY, ENGINE OIL FILTER	1	

2

Fig. 5

2

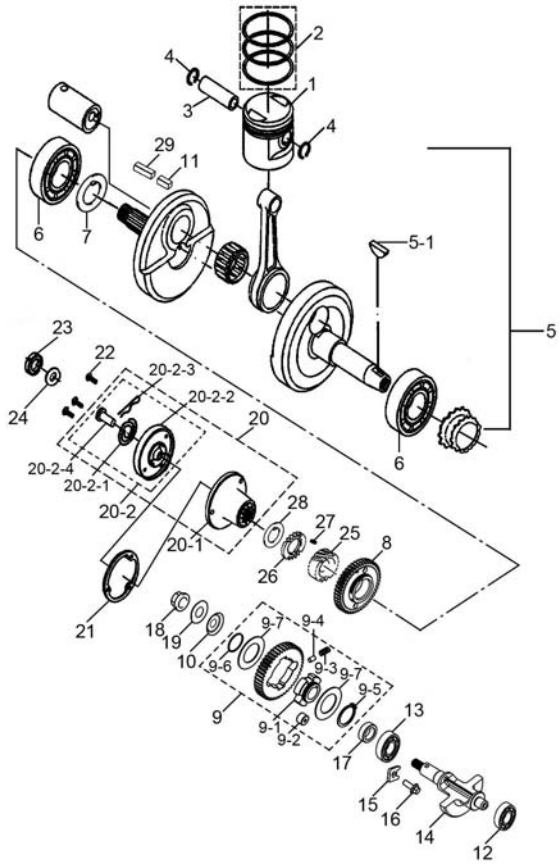


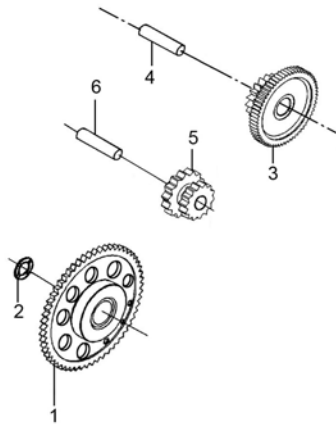
Fig.5 CRANKSHAFT (P05-S050-0041)

REF. No.	PART No.	DESCRIPTION	Q' TY	REMARKS
20-2	16520H33000H000	COVER ASSY, ENGINE OIL FILTER	1	
20-2-1	16532H33000H000	SPRING	1	
20-2-2	16521H33000H000	ROTOR COVER	1	
20-2-3	16551H33000H000	PIN	1	
20-2-4	16531H33000H000	OIL PIPE	1	
21	16561H3E000H000	GASKET, ROTOR COVER	1	
22	02122-0512A-000	CROSS RECESSED HEAD SCREW	3	
23	21346H3E000H000	NUT, LOCK	1	
24	09160H16004H000	WASHER, PLAIN	1	
25	21111H3D010H000	GEAR, PRIMARY DRIVE	1	
26	21112H3D010H000	GEAR, PRIMARY DRIVE NO. 2	1	
27	21114H3E000H000	SPRING, PRIMARY DRIVE GEAR	3	
28	09166H18001H000	WASHER, NOTCHED	1	
29	09421H04003H000	KEY	1	

Fig. 6

Fig.6 STARTER CLUTCH (P05-S060-0006)

REF. No.	PART No.	DESCRIPTION	Q' TY	REMARKS
1	12620H36010H000	GEAR COMP, STARTER CLUT	1	
2	12623H3E020H000	WASHER, STARTER CLUTCH GAER	1	
3	12681H36000H000	GEAR, ELECTRIC STARTER	1	
4	12683H36000H000	SHAFT, GEAR 1ST	1	
5	12651H36000H000	GEAR, STARTER IDLE	1	
6	12691H36000H000	SHAFT, GEAR 2ND	1	



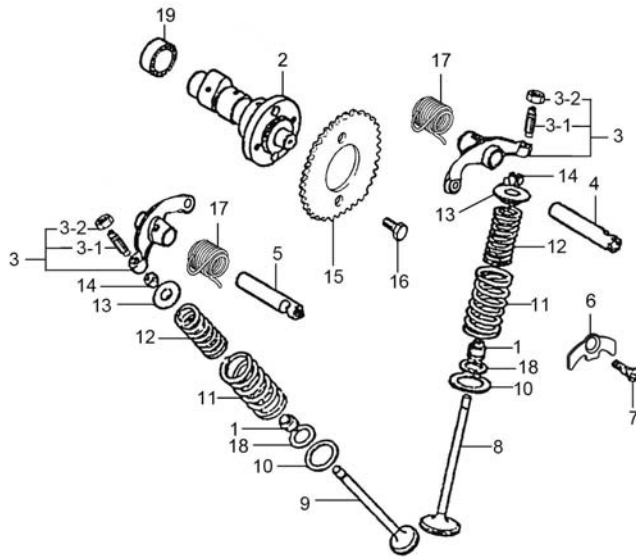
2



Fig. 7

Fig.7 CAMSHAFT-VALVE (P05-S070-0007)

REF. No.	PART No.	DESCRIPTION	Q' TY	REMARKS
1	09283H10002H000	SEAL, OIL	2	
2	12710H3D021H000	CAMSHAFT COMP	1	
3	12840H3D000H000	ARM COMP, VALVE ROCKER	2	
3-1	12842H3D000H000	SCREW, TAPPET ADJUSTING	1	
3-2	12852H33000H000	NUT	1	
4	12861H3D000H000	SHAFT, VALVE ROCKER ARM INTAKE	1	
5	12871H3D000H000	SHAFT, VALVE ROCKER ARM, EXH	1	
6	12862H35022H000	RETAINER, ROCKER ARM SHAFT	1	
7	02122-0616A-000	SCREW	1	
8	12911H3E002H000	VALVE, INTAKE	1	
9	12912H3E002H000	VALVE, EXHAUST	1	
10	09181H17001H000	SHIM	2	
11	12922H3F000H000	SPRING, VALVE OUTER	2	
12	12921H3F000H000	SPRING, VALVE INNER	2	
13	12931H3E000H000	RETAINER VALVE SPRING	2	
14	12932H50100H000	COTTER VALVE	4	
15	12741H35010H000	SPROCKET, CAMSHAFT	1	
16	09100H06003H000	BOLT, HEXAGON	2	
17	09448H22001H000	SPRING, TORSION	2	
18	09181H12003H000	SHIM	2	
19	08140-60030-000	BALL BEARING	1	



2

Fig. 8

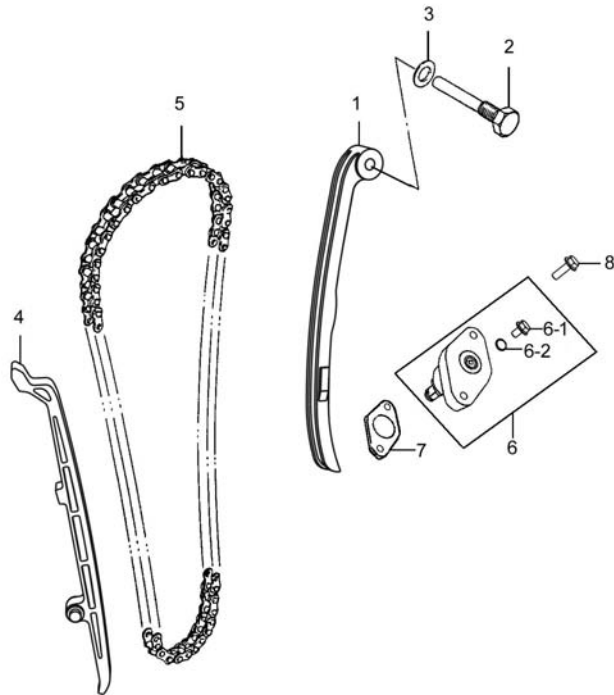


Fig.8 CAM CHAIN (P05-S080-0010)

REF. No.	PART No.	DESCRIPTION	Q' TY	REMARKS
1	12811H3F000H000	TENSIONER, CAM CHAIN	1	
2	09135H08004H000	BOLT	1	
3	09160H08011H000	WASHER	1	
4	12771H35000H000	GUIDE, CAM CHAIN	1	
5	12760H35020H000	CHAIN COMP, CAMSHAFT DRIVE	1	
6	12830H36Y00H000	ADJUSTER SET, TENSIONER	1	
6-1	09128H06010H000	BOLT, HEX WITH CROSS RECESS	1	
6-2	11142H35000H000	O RING	1	
7	12837H3E000H000	GASKET, TENSIONER ADJUSTER	1	
8	01547-0620A-000	BOLT	2	

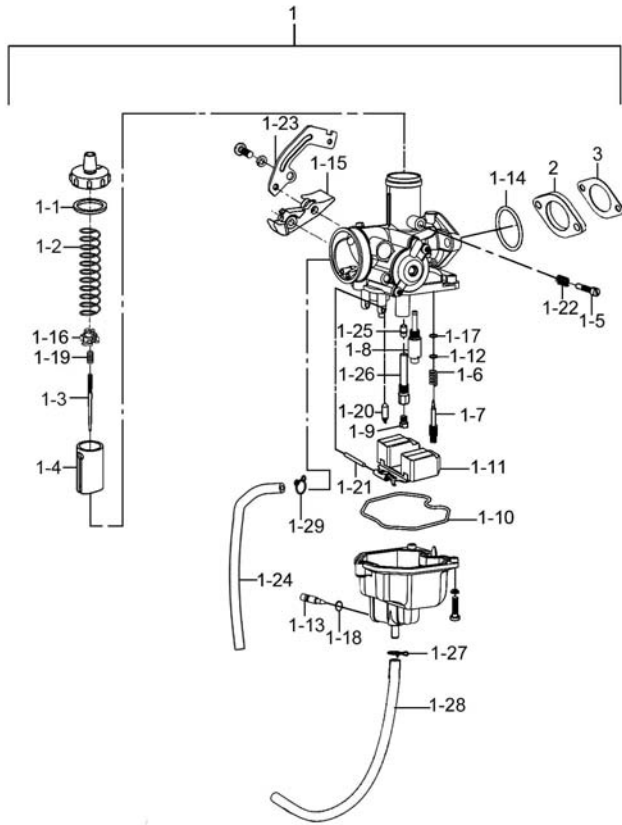
2



Fig. 9

Fig.9 CARBURETOR (P05-S090-0048)

2



REF. No.	PART No.	DESCRIPTION	Q' TY	REMARKS
1	13200H36670H000	CARBURETOR ASSY	1	
1-1	13255H11200H000	TOP GASKET	1	
1-2	13573H12700H000	COMPRESSION SPRING	1	
1-3	13383H36670H000	JET NEEDLE	1	
1-4	13551H2C010H000	VALVE, PISTON	1	
1-5	13267H2D030H000	ADJUSTER	1	
1-6	13268H33000H000	SPRING COMPR	1	
1-7	13279H36900H000	ADJUSTER	1	
1-8	13351H2D030H000	JET, PILOT	1	
1-9	09491H20000H000	JET, MAIN	1	
1-10	13251H11A10H000	GASKET	1	
1-11	13252H33000H000	FLOAT COMP	1	
1-12	13262H11200H000	WASHER	1	
1-13	13247H33000H000	DRAIN SCREW	1	
1-14	13253H33000H000	O RING	1	
1-15	13432H33000H000	LEVER CHOKE	1	
1-16	13389H12700H000	CAP, JET NEEDLE	1	
1-17	13295H21D00H000	O RING	1	
1-18	13225H11200H000	O RING	1	
1-19	13388H12700H000	COMPRESSION SPRING	1	
1-20	13370H21D00H000	VALVE ASSY, NEEDLE	1	
1-21	13254H21D00H000	PIN	1	
1-22	13263H11200H000	COMPRESSION SPRING	1	
1-23	13270H12900H000	BRACKET	1	
1-24	13684H2A440H000	AIR VENT HOSE	1	
1-25	09494H12700H000	NEEDLE JET	1	
1-26	13242H36670H000	JET HOLDER	1	
1-27	13224H11200H000	CLIP	1	
1-28	13683H36900H000	HOSE, DRAIN	1	

Fig. 9

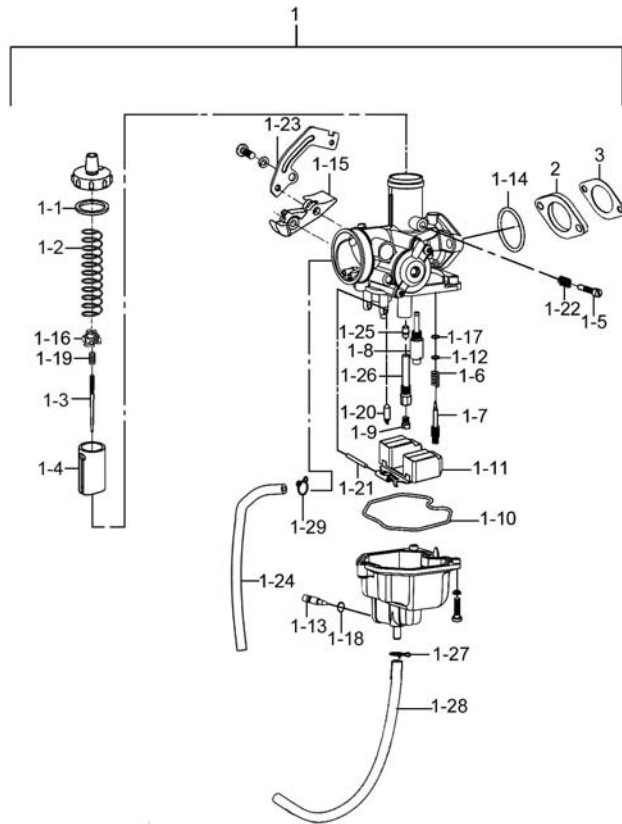


Fig.9 CARBURETOR (P05-S090-0048)

REF. No.	PART No.	DESCRIPTION	Q' TY	REMARKS
1-29	13224H2A000H000	CLIP, DRAIN HOSE	1	
2	13112H22500H000	PLATE, CARB HEAT GUARD	1	
3	13113H3E001H000	GASKET, CARB HEAT GUARD PL	1	

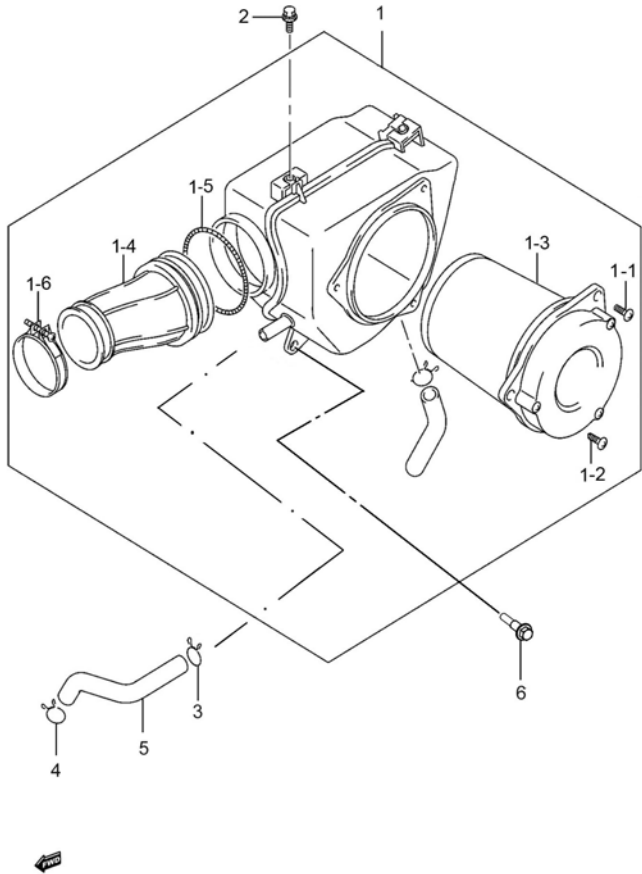
2



Fig. 10

Fig.10 AIR CLEANER (P05-S100-0024)

REF. No.	PART No.	DESCRIPTION	Q' TY	REMARKS
1	13700H36730H000	CLEANER ASSY, AIR	1	
1-1	02142-0512A-000	CROSS RECESSED HEAD SCREW	3	
1-2	03241-0416A-000	CROSS RECESSED HEAD TAPPING SCREW	3	
1-3	13781H2A300H000	FILTER, AIR CLNR	1	
1-4	13881H2A300H000	TUBE, OUTLET	1	
1-5	13826H45F00H000	CLAMP	1	
1-6	13830H11200H000	CLAMP	1	
2	01580-0616B-000	BOLT	2	
3	09401H13002H000	CLIP	1	
4	09401H15201H000	CLAMP	1	
5	13851H21F00H000	TUBE, BREATHER	1	
6	09111H06006H000	BOLT	1	



2

Fig. 11

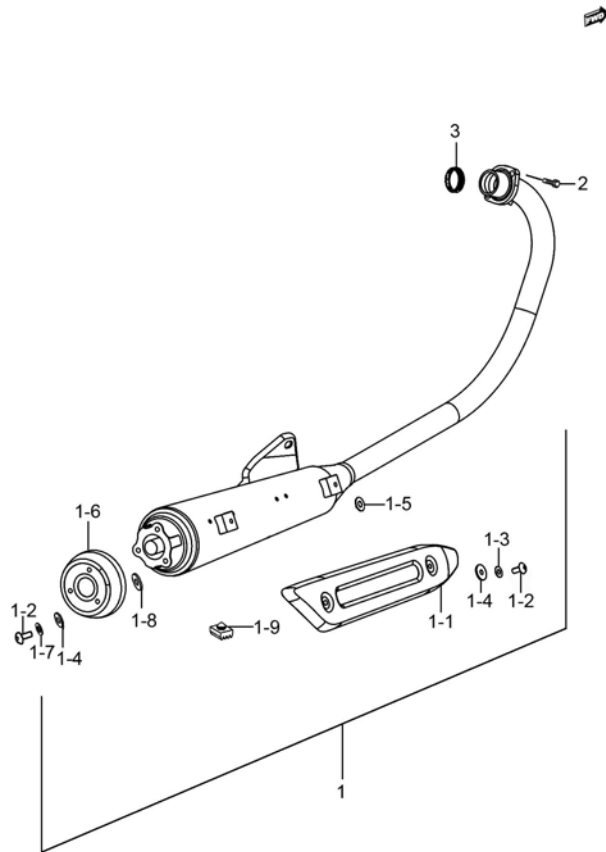


Fig.11 MUFFLER (P05-S110-0048)

REF. No.	PART No.	DESCRIPTION	Q' TY	REMARKS
1	14036H3675BH000	MUFFLER SET	1	
1-1	14781H36900H000	COVER, MUF	1	
1-2	09139-06167-000	SCREW	5	
1-3	09160-06164-000	WASHER, PLAIN	2	
1-4	09161H06004H000	WASHER	5	
1-5	09168H06002H000	GASKET	2	
1-6	14791H36901H000	COVER, MUF RR	1	
1-7	09160-06094-000	WASHER, PLAIN	3	
1-8	09168-06122-000	WASHER, MUF COVER INSULATOR	3	
1-9	42278-26H00-000	STOPPER, CENTER STAND	1	
2	07130-0825A-000	BOLT	2	
3	14181H11200H000	GASKET, EXH PIPE	1	

2

Fig. 12

2

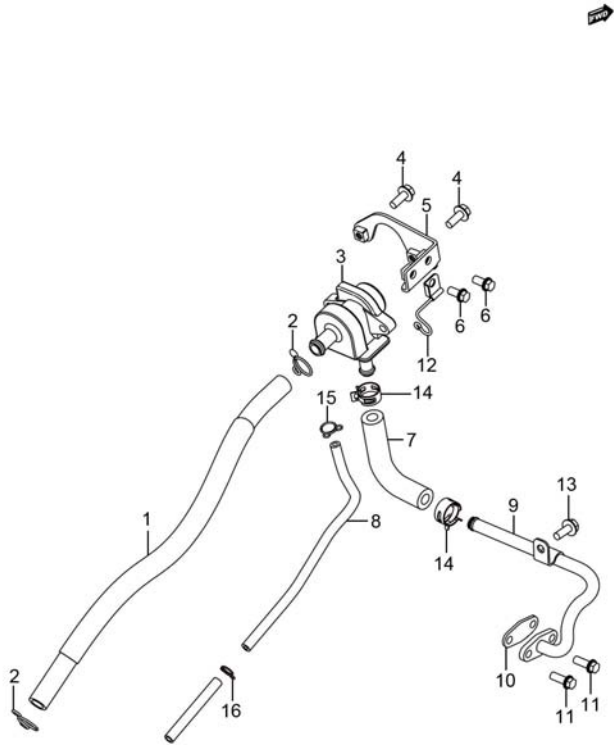


Fig.12 2ND AIR VAVLE (P05-S120-0031)

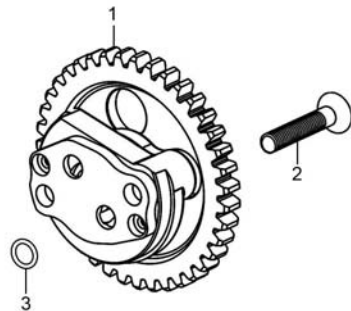
REF. No.	PART No.	DESCRIPTION	Q' TY	REMARKS
1	18710H36600H000	HOSE COMP, 2ND AIR CLNR	1	
2	09401H15201H000	CLAMP	2	
3	18450H12EB0H000	VALVE ASSY, 2ND AIR	1	
4	01550-0620A-000	BOLTS, HEXAGON HEAD FLANGE	2	
5	18610H2E000H000	BRACKET COMP, 2ND AIR VALVE	1	
6	01550-0612A-000	BOLT	2	
7	18461H30201H000	HOSE, 2ND AIR VALVE	1	
8	18463H36600H000	HOSE, 2ND AIR VALVE VACUUM	1	
9	18410H30210H000	PIPE COMP, 2ND AIR	1	
10	18441H50100H000	SEAL, 2ND AIR HOSE	1	
11	01547-0616A-000	BOLT	2	
12	18442H36600H000	GUIDE, 2ND AIR VALVE HOSE	1	
13	01547-0612A-000	HEXAGON BOLT WITH FLANGE	1	
14	09401-15404-000	CLIP, FUEL HOSE	2	
15	09401H07201H000	CLIP	1	
16	09401-06101-000	CLIP	1	

Fig. 13



Fig.13 OIL PUMP (P05-S130-0004)

REF. No.	PART No.	DESCRIPTION	Q'TY	REMARKS
1	16400H3D000H000	PUMP ASSY, ENG OIL	1	
2	02122-0630A-000	CROSS RECESSED HEAD SCREW	2	
3	09280H35000H000	O-RING	2	



2

Fig. 14

2

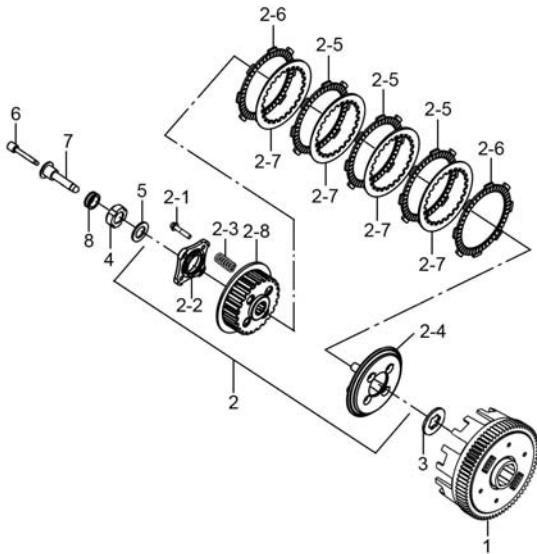


Fig.14 CLUTCH (P05-S140-0015)

REF. No.	PART No.	DESCRIPTION	Q' TY	REMARKS
1	21200H3E001H000	GEAR ASSY, PRIMARY DRIVEN	1	
2	21410H3E010H000	HUB COMP, CLUTCH SLEEVE	1	
2-1	01550-0622A-000	BOLT, HEXAGON HEAD FLANGE	4	
2-2	21471H35000H000	PLATE, CLUTCH PUSH ROD	1	
2-3	21413H3D000H000	SPRING, CLUTCH	4	
2-4	21462H3E000H000	DISC, CLUTCH PRESSURE	1	
2-5	21441H36030H000	PLATE, CLUTCH DRIVE	3	
2-6	21441H36020H000	PLATE, CLUTCH DRIVE	2	
2-7	21451H3E010H000	PLATE, CLUTCH DRIVEN	4	
2-8	21411H3E000H000	HUB, CLUTCH SLEEVE	1	
3	21481H33000H000	WASHER	1	
4	21346H33000H000	NUT, LOCK	1	
5	16581H33000H000	WASHER	1	
6	23131H3D000H000	POLE, CLUTCH PUSH	1	
7	23121H3D000H000	PIECE, CLUTCH PUSH	1	
8	09262H17001H000	BEARING, CLUTCH	1	

Fig. 15

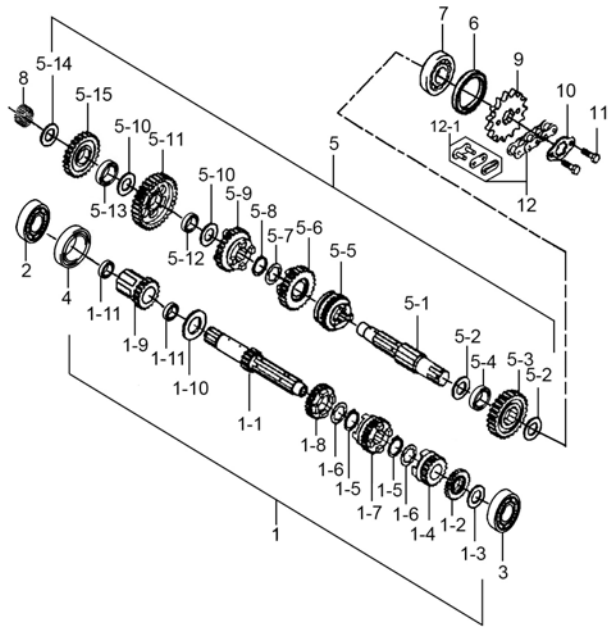


Fig.15 TRANSMISSION (P05-S150-0020)

REF. No.	PART No.	DESCRIPTION	Q'TY	REMARKS
1	24102H3E040H000	SHAFT ASSY, COUNTER	1	
1-1	24121H3D010H000	SHAFT, COUNTER	1	
1-2	24221H3E010H000	GEAR, 2ND DRIVE	1	
1-3	08211-15251-000	WASHER, 1ST DRIVEN GEAR, R THR	1	
1-4	24251H3E010H000	GEAR, 5TH DRIVE	1	
1-5	08331-31209-000	CIRCLIP	2	
1-6	24232H33000H000	WASHER	2	
1-7	24241H3E010H000	GEAR, 4TH DRIVE	1	
1-8	24231H3E000H000	GEAR, 3RD DRIVE	1	
1-9	24201H3E020H000	GEAR, DRIVE	1	
1-10	09181H20270H000	WASHER	1	
1-11	24122H3E000H000	BUSH, COUNTER SHAFT	2	
2	08110-60060-000	BEARING	1	
3	09262H15010H000	BEARING	1	
4	09180H30001H000	SPACER	1	
5	24103H3E061H000	SHAFT ASSY, DRIVE	1	
5-1	24131H3D001H000	SHAFT, DRIVE	1	
5-2	08211-20271-000	WASHER	2	
5-3	24321H3E000H000	GEAR, 2ND DRIVEN	1	
5-4	24322H3E000H000	BUSH, 2ND DRIVEN GEAR	1	
5-5	24351H3E010H000	GEAR, 5TH DRIVEN	1	
5-6	24341H3E000H000	GEAR, 4TH DRIVEN	1	
5-7	24232H33000H000	WASHER	1	
5-8	08331-31209-000	CIRCLIP	1	
5-9	24331H3E010H000	GEAR, 3RD DRIVEN	1	
5-10	09181H17240H000	WASHER	2	
5-11	24311H3E000H000	GEAR, 1ST DRIVEN	1	
5-12	24314H35000H000	BUSH, 1ST DRIVEN GEAR	1	
5-13	26263H35000H000	BUSH, KICK STARTER IDLE GEAR	1	

2



Fig. 15

2

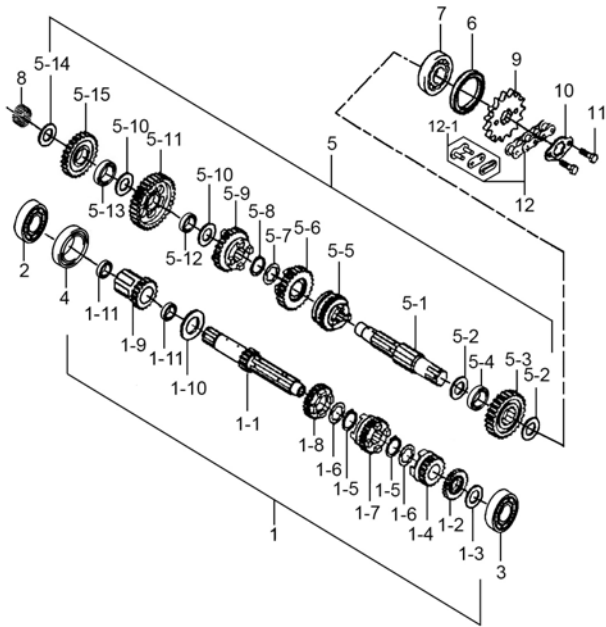


Fig.15 TRANSMISSION (P05-S150-0020)

REF. No.	PART No.	DESCRIPTION	Q' TY	REMARKS
5-14	08211-15301-000	WASHER	1	
5-15	26261H3E000H000	GEAR, KICK STARTER IDLE	1	
6	09283H20007H000	SEAL, OIL	1	
7	08110-62040-000	BEARING, DRIVE SHAFT	1	
8	09263H15002H000	BEARING, NEEDLE	1	
9	27511H36010H000	SPROCKET, ENGINE	1	
10	27521H33010H000	WASHER	1	
11	07130-0610A-000	HEXAGON SOCKET HEAD CAP SCREW	2	
12	27600H3D000H116	CHAIN ASSY, DRIVE	1	
12-1	27620H3D000H000	JOINT SET, CHAIN	1	

Fig. 16

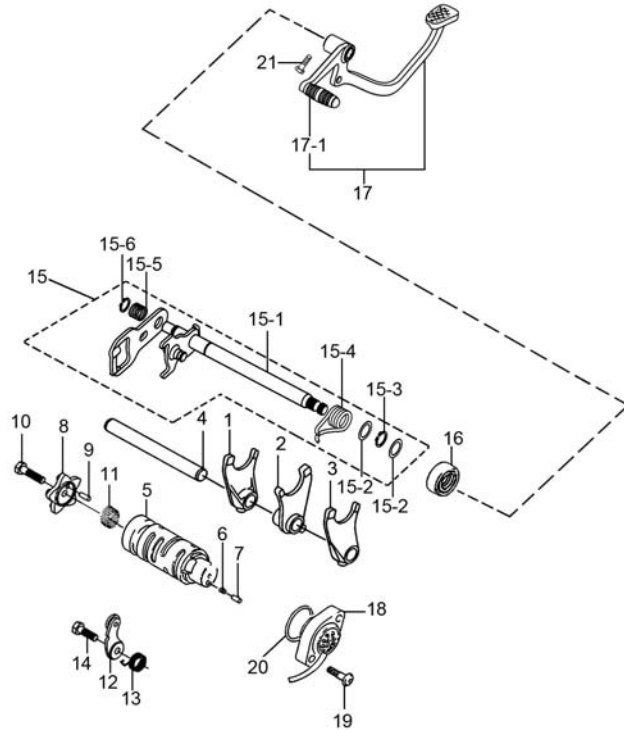


Fig.16 GEAR SHIFTING (P05-S160-0012)

REF. No.	PART No.	DESCRIPTION	Q'TY	REMARKS
1	25211H3E010H000	FORK, GEAR SHIFT, R	1	
2	25231H3E010H000	FORK, GEAR SHIFT, MIDDLE	1	
3	25241H3E010H000	FORK, GEAR SHIFT, L	1	
4	25411H3E000H000	SHAFT, GEAR SHIFT FORK	1	
5	25311H3E010H000	CAM, GEAR SHIFT	1	
6	09440H04030H000	SPRING, COMPRESSION	1	
7	25314H3E000H000	PIN, CAM SHIFT	1	
8	25381H3E020H000	PLATE, SHIFT CAM STOPPER	1	
9	04221-04109-000	PIN	1	
10	09128H06001H000	BOLT, HEX WITH CROSS RECESS	1	
11	09263H23000H000	BEARING, NEEDLE	1	
12	25350H3E010H000	STOPPER COMP, GEAR SHIFT CAM	1	
13	25351H3E010H000	SPRING, GEAR SHIFT CAM STOPPER	1	
14	09100H06022H000	BOLT, HEXAGON	1	
15	25500H3E030H000	SHAFT ASSY, GEAR SHIFT	1	
15-1	25510H3E030H000	SHAFT COMP, GEAR SHIFT	1	
15-2	09181H16200H000	WASHER	2	
15-3	08331-31149-000	CIRCLIP, KICK SHAFT	1	
15-4	25518H3E000H000	SPRING, SHIFT SHAFT RETURN	1	
15-5	09440H15002H000	SPRING, COMPRESSION	1	
15-6	08331-31129-000	CIRCLIP	1	
16	09283H14001H000	OIL SEAL	1	
17	25600H36600H000	LEVER ASSY, GEAR SHIFT	1	
17-1	25652H16500H000	RUBBER, GEAR SHIFT PEDAL	1	
18	37720H3E001H000	BASE ASSY, GEAR SHIFT TERM	1	
19	02112-0418A-000	CROSS RECESSED HEAD SCREW	2	
20	09280H19001H000	O-RING	1	
21	01500-0820A-000	BOLT	1	

2



Fig. 17

2

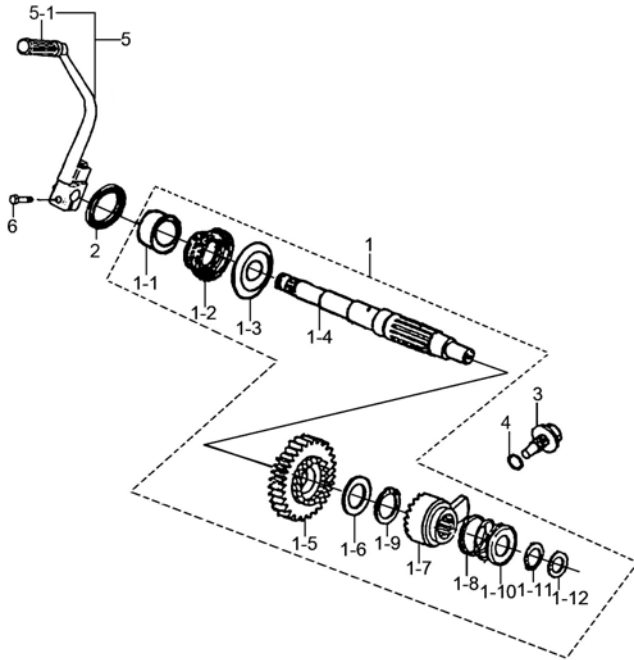


Fig.17 KICK STARTER (P05-S165-0004)

REF. No.	PART No.	DESCRIPTION	Q' TY	REMARKS
1	26210H3E000H000	SHAFT COMP, KICK STARTER	1	
1-1	26221H35000H000	GUIDE, KICK STARTER SHAFT SPRIN	1	
1-2	09448H48003H000	SPRING, TORSION	1	
1-3	26222H35000H000	HOLDER, KICK STARTER SHAFT SPRI	1	
1-4	26211H3E000H000	SHAFT, KICK STARTER	1	
1-5	26241H35000H000	GEAR, KICK STARTER DRIVE	1	
1-6	09181H20001H000	SHIM	1	
1-7	26251H35000H000	RATCHET WHEEL	1	
1-8	26226H36000H000	SPRING, RELEASE	1	
1-9	09380H19001H000	RING, SNAP	1	
1-10	26225H35000H000	SEAT, RELEASE SPRING	1	
1-11	09380H15001H000	RING, SNAP	1	
1-12	09181H12004H000	SHIM	1	
2	09283H16001H000	SEAL, OIL	1	
3	09135H12001H000	BOLT	1	
4	09280H11001H000	O-RING	1	
5	26300H22510H000	LEVER ASSY, KICK STARTER	1	
5-1	26352-01000-000	RUBBER, KICK STARTER LEVER	1	
6	01500-0825A-000	BOLTS, HEXAGON HEAD	1	

Fig. 18

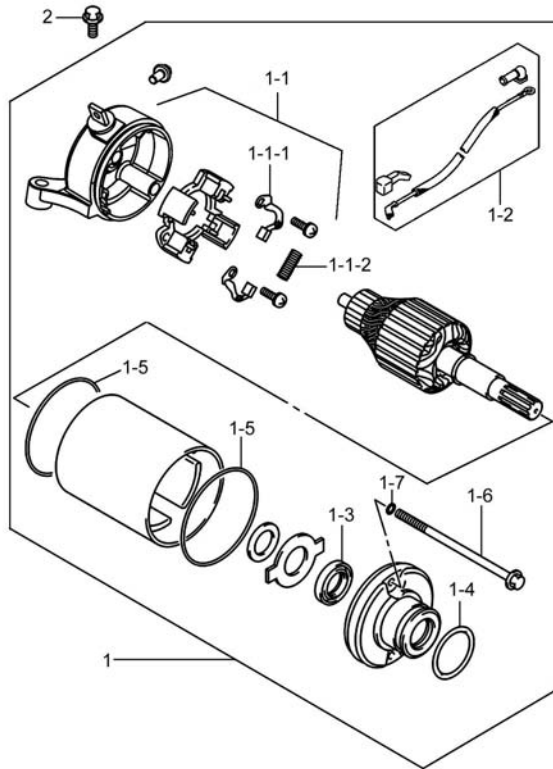


Fig.18 STARTING MOTOR (P05-S170-0008)

REF. No.	PART No.	DESCRIPTION	Q' TY	REMARKS
1	31100H3F000H000	MOTOR ASSY, STARTING	1	
1-1	31175H22500H000	FRAME ASSY	1	
1-1-1	31133H22500H000	BRUSH, STARTER MOTOR, MINUS	1	
1-1-2	31135H22500H000	SPRING, STARTER MOTOR BRUSH	4	
1-2	33810H3F000H000	WIRE, STARTER MOTOR	1	
1-3	31153H22500H000	OIL SEAL, STARTER MOTOR	1	
1-4	31156H22500H000	O-RING	1	
1-5	31156H22510H000	O-RING	2	
1-6	31281H22500H000	BOLT	2	
1-7	31156H22520H000	O-RING	2	
2	01547-0630A-000	BOLT	2	

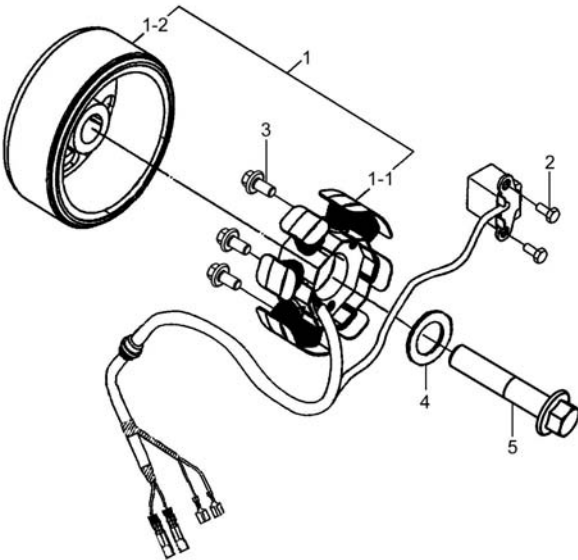
3



Fig. 19

Fig.19 MAGNETO (P05-S180-0019)

REF. No.	PART No.	DESCRIPTION	Q' TY	REMARKS
1	32100H22520H000	MAGNETO ASSY	1	
1-1	32101H22500H000	STATOR ASSY	1	
1-2	32102H22520H000	ROTOR ASSY	1	
2	09100H05004H000	BOLT, HEXAGON	2	
3	01547-0525A-000	BOLTS, HEXAGON HEAD FLANGE	3	
4	32113H35000H000	WASHER	1	
5	32111H33000H000	BOLT	1	



3



Fig. 20

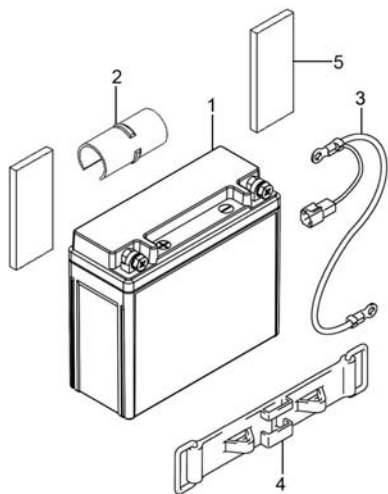


Fig.20 BATTERY (P05-S190-0016)

REF. No.	PART No.	DESCRIPTION	Q' TY	REMARKS
1	33620H2E010H000	FILLED BATTERY ASSY	1	
2	33652-05310-000	PROTECTOR, BATTERY	1	
3	33860H2A200H000	WIRE, BATTERY MINUS LEAD	1	
4	33651-45F11-000	BAND, BATTERY	1	
5	33652-38000-000	PROTECTOR, BATTERY	4	

3



Fig. 21

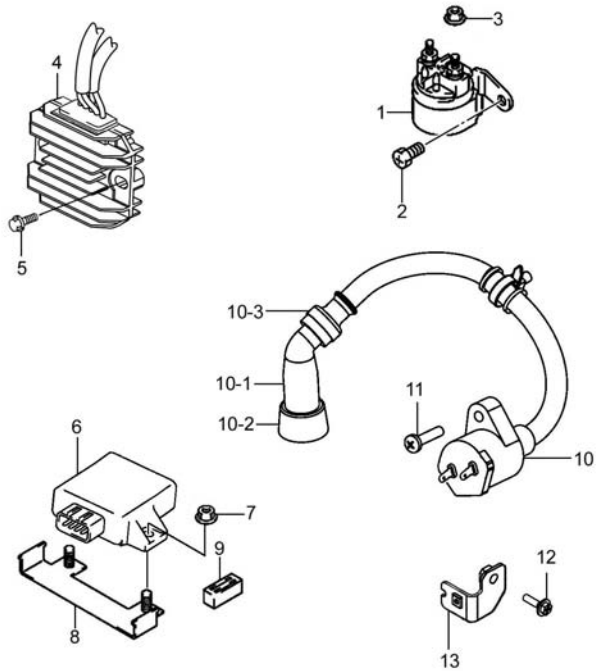


Fig.21 ELECTRICAL (P05-S200-0044)

REF. No.	PART No.	DESCRIPTION	Q' TY	REMARKS
1	31800-49110-000	RELAY ASSY, STARTING MOTOR	1	
2	09128-06004-000	SCREW, STG MOT RLY	2	
3	08361-3506A-000	NUT	2	
4	32800H05523H000	RECTIFIER ASSY	1	
5	01547-0616A-000	BOLT	2	
6	32900H2A401H000	CDI UNIT	1	
7	08316-1006B-000	NUT	2	
8	32931-05340-000	BRACKET, IGNITER	1	
9	32980-05300-000	CUSHION, IGNITER	2	
10	33410H05551H000	COIL ASSY, IGNITION	1	
10-1	33510-04H10-000	CAP, SPARK PLUG	1	
10-2	33541H2M100H000	SEAL, SPARK PLUG	1	
10-3	33542H05500H000	SEAL, HIGH TENSION CORD	1	
11	02112-1520A-000	CROSS RECESSED HEAD SCREW	1	
12	09136H06003H000	SCREW WITH WASHER	1	
13	41894H30102HN00	BRACKET COMP, IGNITION COIL	1	

3

Fig. 22

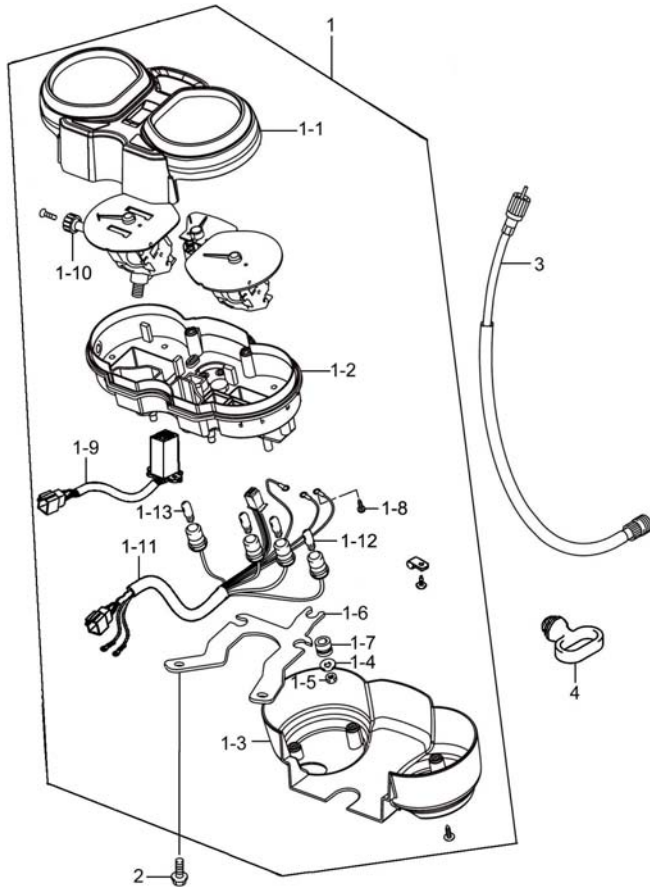


Fig.22 SPEEDOMETER (P05-S210-0041)

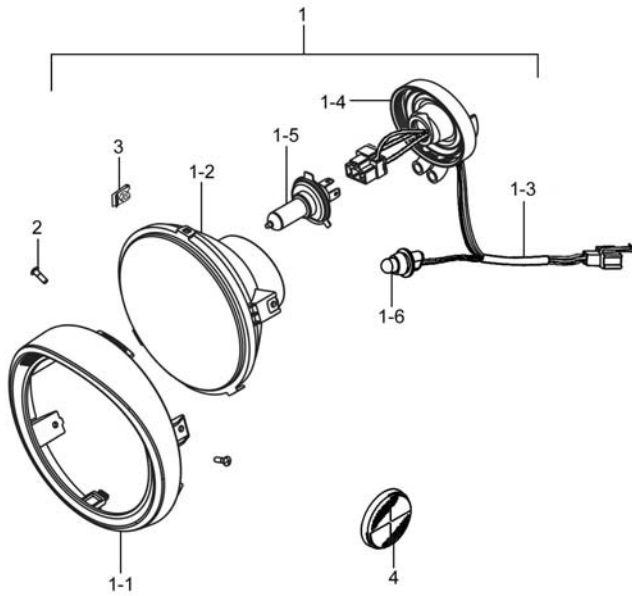
REF. No.	PART No.	DESCRIPTION	Q'TY	REMARKS
1	34100H36741H000	SPEEDOMETER ASSY	1	
1-1	34150H36311H000	HOOD, SPEEDOMETER	1	
1-2	34111H36740H000	CASE, SPEEDOMETER, LOWER	1	
1-3	34152H36310H000	LOW CASE, SPEEDOMETER	1	
1-4	34181-17E00-000	WASHER	3	
1-5	08310-11063-000	NUT	3	
1-6	34950H36310H000	BRACKET, SPEEDOMETER	1	
1-7	34955H36310H000	CUSHION, SPEEDOMETER	3	
1-8	34383-09400-000	SCREW	3	
1-9	34500H36310H000	ASSY, GEAR SHIFT DISPLAY	1	
1-10	34980H36310H000	KNOB	1	
1-11	34173H36610H000	WIRE HARNESS, SPEEDOMETER	1	
1-12	09471-12196-000	BULB, CUNIFORM LAMP HOLDER	3	12V 3W T10
1-13	09471-12077-000	BULB	1	12V 2W T10
2	01550-0812A-000	HEXAGON BOLT WITH FLANGE	2	
3	34910H36601H000	CABLE ASSY, SPEEDOMETER	1	
4	58621H22500H000	GUIDE, SPEEDOMETER CABLE	1	

3

Fig. 23

Fig.23 HEADLAMP (P05-S220-0023)

REF. No.	PART No.	DESCRIPTION	Q' TY	REMARKS
1	35100H36320H000	HEADLAMP ASSY	1	
1-1	35111H36310H000	RIM, HEADLAMP	1	
1-2	35121H36310H000	UNIT, HEADLAMP	1	
1-3	35171H36310H000	CORD, HEADLAMP	1	
1-4	35174H36310H000	BOOT, HEADLAMP HOUSING	1	
1-5	09471H12001H000	BULB (12V, 35/35W)	1	HS1 12V 35W/35W
1-6	09471-12081-000	BULB, POSITION LAMP	1	12V W5W
2	35181-45F10-000	SCREW, HEADLAMP	2	
3	09148-05L01-000	NUT	2	
4	35950H7A000H000	REFLEX REFLECTOR ASSY, FR SIDE	2	



3

Fig. 24

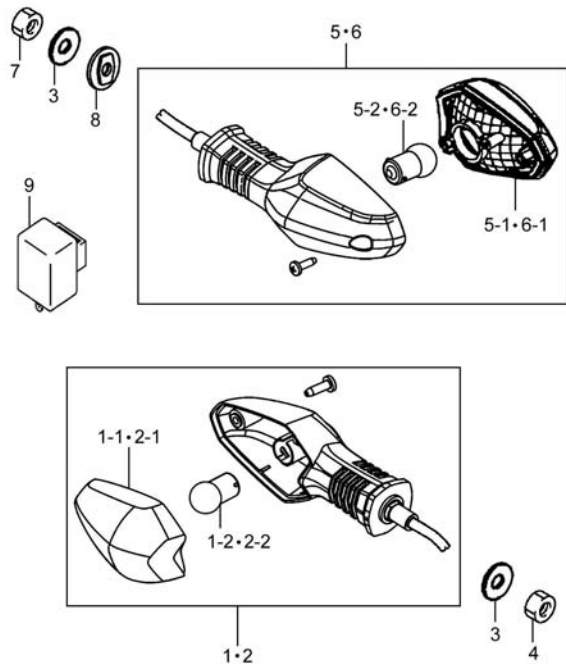


Fig.24 TURN SIGNAL LAMP (P05-S230-0032)

REF. No.	PART No.	DESCRIPTION	Q'TY	REMARKS
1	35601H36710H000	LAMP ASSY, FRONT TURNSIGNAL, R	1	
1-1	35610H2C000H000	UNIT, FRONT TURNSIGNAL, R	1	
1-2	09471H12019H000	BULB (12V, 10W)	1	12V RY10W
2	35602H36710H000	LAMP ASSY, FRONT TURNSIGNAL, L	1	
2-1	35630H2C000H000	UNIT, FRONT TURNSIGNAL, L	1	
2-2	09471H12019H000	BULB (12V, 10W)	1	12V RY10W
3	09160-10501-000	WASHER, PLAIN	4	
4	08310-0010A-000	HEXAGON NUT	2	
5	35603H36710H000	LAMP ASSY, REAR TURNSIGNAL, R	1	
5-1	35630H2C000H000	UNIT, FRONT TURNSIGNAL, L	1	
5-2	09471H12019H000	BULB (12V, 10W)	1	12V RY10W
6	35604H36710H000	LAMP ASSY, REAR TURNSIGNAL, L	1	
6-1	35610H2C000H000	UNIT, FRONT TURNSIGNAL, R	1	
6-2	09471H12019H000	BULB (12V, 10W)	1	12V RY10W
7	08310-00107-000	NUT, REAR TURNSIGNAL LAMP	2	
8	35695-17C00-000	WASHER	2	
9	38610-20K01-000	RELAY ASSY, TURNSIGNAL	1	

3



Fig. 25

3

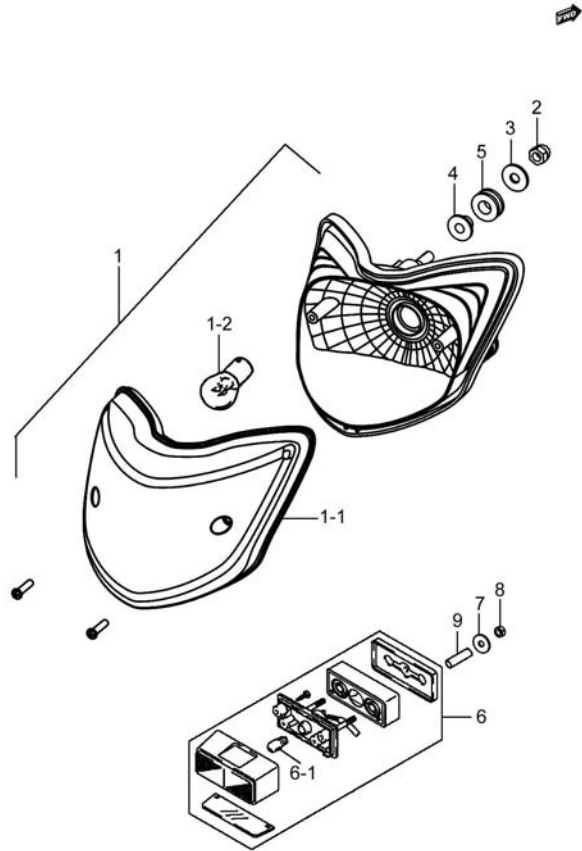


Fig.25 REAR COMBINATION LAMP (P05-S240-0029)

REF. No.	PART No.	DESCRIPTION	Q'TY	REMARKS
1	35710H36710H000	LAMP ASSY, REAR COMB	1	
1-1	35712H36310H000	LENS, REAR COMB	1	
1-2	09471-12128-000	BULB (12V, 21/5W)	1	12V P21/5W
2	09145H20003H000	NUT, CAP	3	
3	09160-06039-000	washer	3	
4	09180H06008H000	SPACER	3	
5	09320H09004H000	CUSHION	3	
6	35910H36710H000	LAMP ASSY, LICENSE	1	
6-1	09471H12081H000	BULB	1	12V W5W
7	09160-06088-000	WASHER, REAR COMB LAMP	2	
8	08310-0006A-000	NUT	2	
9	35996-48H00-000	SPACER, LICENSE LAMP	2	

Fig. 26

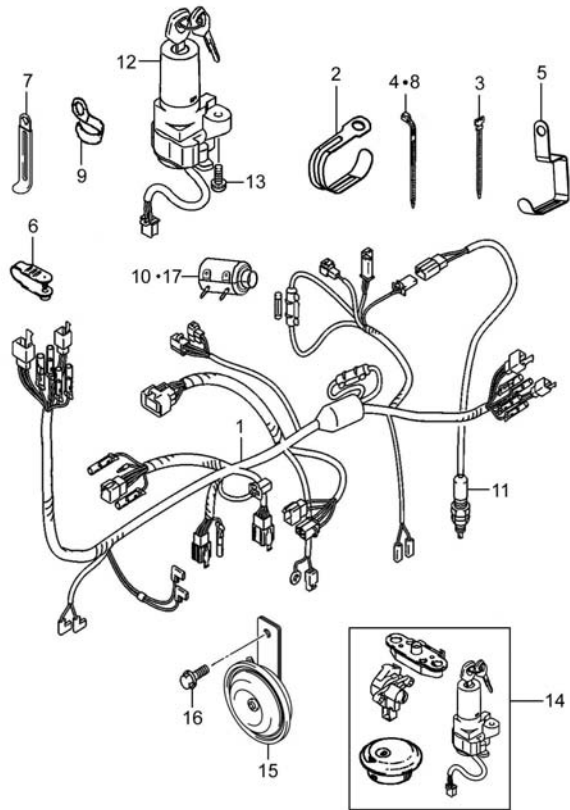


Fig.26 WIRING HARNESS (P05-S250-0048)

REF. No.	PART No.	DESCRIPTION	Q'TY	REMARKS
1	36610H36730H000	HARNESS WIRING	1	
2	36651-05310-000	CLAMP	2	
3	09407-12402-000	CLAMP, WIRING HARNESS	2	L=128
4	09407-14403-000	CLAMP, FUEL HOSE	5	L=125
5	36651-26H50-000	CLAMP, WIRING HARNESS	1	
6	09407-05403-000	CLAMP, REAR FENDER	2	
7	09404-06038-000	CLAMP	2	
8	09407-18402-000	CLAMP, FUEL FILTER NO. 2	1	L=165
9	51455H36010H000	CLAMP	1	
10	36618H79201H000	BOOT, WIRING HARNESS	1	OD=50
11	37740H36600H000	SWITCH ASSY, STOP LAMP	1	
12	37100H36900H000	LOCK ASSY, STEERING	1	
13	02112-3620A-000	CROSS RECESSED HEAD SCREW	2	
14	37011H36900H000	LOCK SET	1	
15	38500H36710H000	HORN ASSY	1	
16	09103-08527-000	BOLT	1	
17	36618H2D000H000	PROTECTOR, WIRING HARNESS	1	OD=40

3



Fig. 27

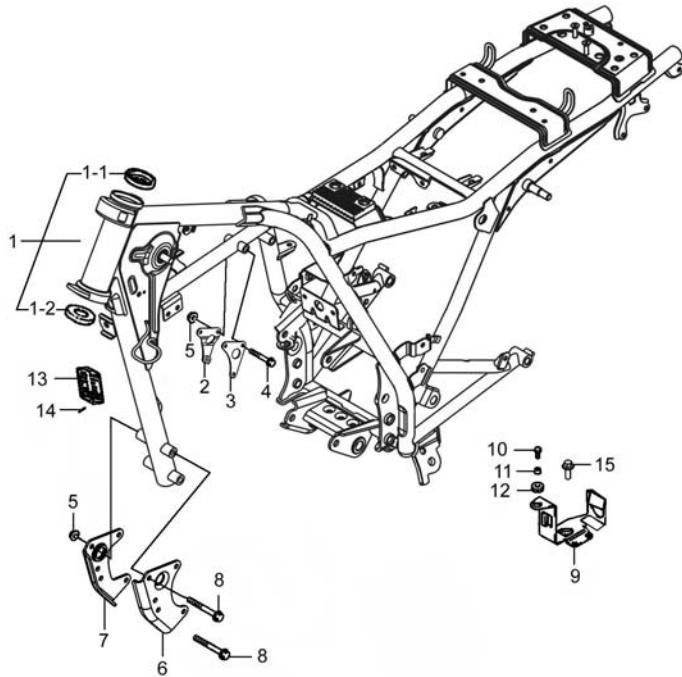


Fig.27 FRAME (P05-S260-0077)

REF. No.	PART No.	DESCRIPTION	Q' TY	REMARKS
1	41102H36Y50H000	FRAME SET	1	
1-1	51611H2A201H000	RACE, STEERING INNER UPPER	1	
1-2	51612H2A200H000	RACE, STEERING INNER LOWER	1	
2	41970H36600H000	PLATE COMP, ENG MTG UPPER, R	1	
3	41980H21F00H000	PLATE COMP, ENG MTG UPPER, L	1	
4	01550-0860A-000	BOLT, HEXAGON HEAD FLANGE	2	
5	08319-3108A-000	NUT	4	
6	41940H36620H000	PLATE COMP, ENG MTG LOWER, L	1	
7	41950H36620H000	PLATE COMP, ENG MTG LOWER, R	1	
8	09103H08016H000	BOLT, HEXAGON	2	
9	41540-05310-000	HOLDER ASSY, BATTERY	1	
10	09116-06008-000	BOLT WITH WASHER	2	
11	09180-06038-000	SPACER, TOOL BOX	2	
12	09320H08005H000	CUSHION	2	
13	68311H30180H000	PLATE, LICENSE	1	
14	68389-45F00-000	RIVET	2	
15	01550-0612A-000	BOLT	1	

Fig. 28

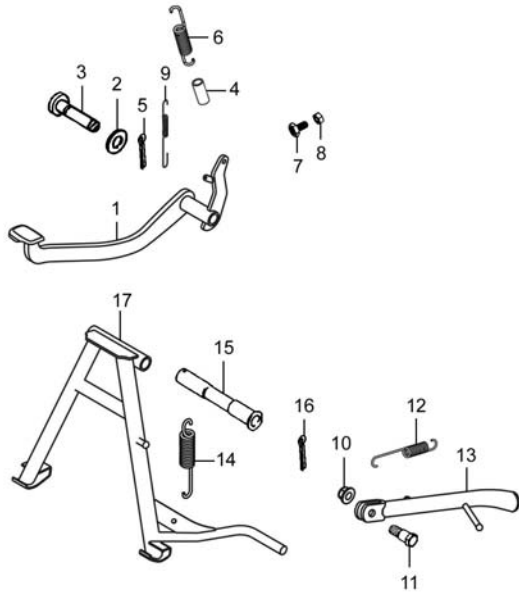


Fig.28 STAND (P05-S270-0031)

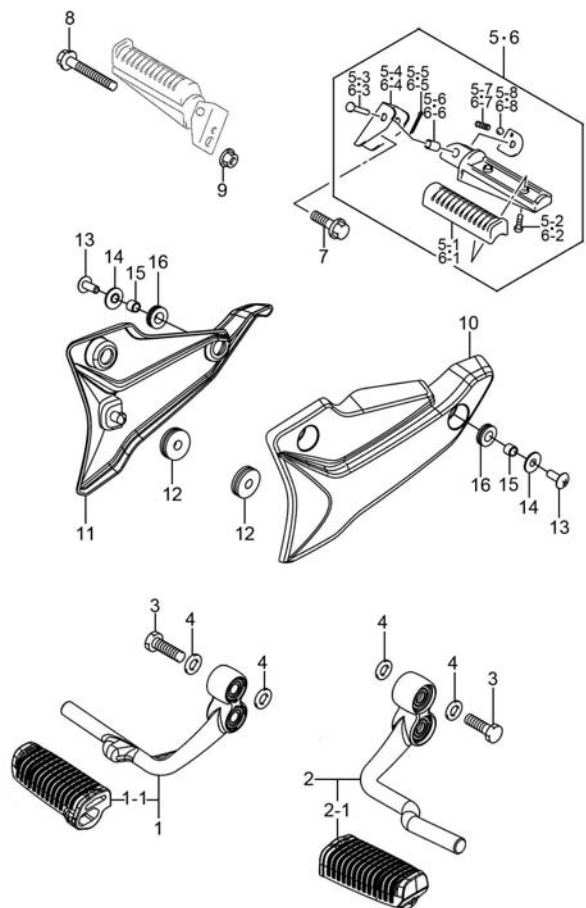
REF. No.	PART No.	DESCRIPTION	Q' TY	REMARKS
1	43110H36601H000	PEDAL COMP, BRAKE	1	
2	09160H14005H000	WASHER	1	
3	43122H36600H000	SHAFT, BRAKE PEDAL	1	
4	43142H21302H000	HOSE, RUBBER	1	
5	04111-2020A-000	COTTER PIN	1	
6	09443H14004H000	SPRING, TENSION	1	
7	09100-06009-000	BOLT	1	
8	08310-0006A-000	NUT	1	
9	43115H36600H000	SPRING, STOP LAMP	1	
10	08319-3110A-000	NUT	1	
11	42341-36H00-000	BOLT, PROP STAND	1	
12	42241-26H10-000	SPRING, CENTER STAND	1	
13	42310-05340-000	STAND COMP, PROP	1	
14	09443-19020-000	SPRING, TENSION	1	
15	42211H2A200H000	SHAFT, CENTER STAND	1	
16	04111-2525A-000	COTTER PIN	1	
17	42100H36710H000	STAND COMP, CENTER	1	

4



Fig. 29

Fig.29 FOOTREST (P05-S280-0024)



REF. No.	PART No.	DESCRIPTION	Q' TY	REMARKS
1	43501H36611H000	FOOTREST ASSY, FRONT, R	1	
1-1	43551H36310H000	RUBBER, FRONT FOOTREST	1	
2	43502H36611H000	FOOTREST ASSY, FRONT, L	1	
2-1	43551H36310H000	RUBBER, FRONT FOOTREST	1	
3	43539-45F00-000	BOLT, FR FOOTREST BAR	4	
4	09160-10059-000	WASHER, PLAIN	8	
5	43600-45F10-000	FOOTREST ASSY, PILLION, R	1	
5-1	43550-45F00-000	RUBBER COMP, PILLION FOOTREST	1	
5-2	02112-0514A-000	CROSS RECESSED HEAD SCREW	2	
5-3	09200-06040-000	PIN, PILLION FOOTREST	1	
5-4	43621-45F00-000	HOLDER, PILLION FOOTREST	1	
5-5	04111-2015A-000	COTTER PIN	1	
5-6	43611-45F00-000	SPACER, PILLION FOOTREST	1	
5-7	43613-45F00-000	SPRING, PILLION FOOTREST	1	
5-8	06111-08004-000	BALL, STEERING, UPPER	1	
6	43700-45F10-000	FOOTREST ASSY, PILLION, L	1	
6-1	43550-45F00-000	RUBBER COMP, PILLION FOOTREST	1	
6-2	02112-0514A-000	CROSS RECESSED HEAD SCREW	2	
6-3	09200-06040-000	PIN, PILLION FOOTREST	1	
6-4	43621-45F00-000	HOLDER, PILLION FOOTREST	1	
6-5	04111-2015A-000	COTTER PIN	1	
6-6	43611-45F00-000	SPACER, PILLION FOOTREST	1	
6-7	43613-45F00-000	SPRING, PILLION FOOTREST	1	
6-8	06111-08004-000	BALL, STEERING, UPPER	1	
7	01550-1025B-000	HEXAGON BOLT WITH FLANGE	1	
8	01550-1050A-000	BOLT, HEXAGON HEAD FLANGE	1	
9	08319-3110A-000	NUT	1	
10	48271H36300H000	LID, LEG REAR, L	1	
11	48261H36300H000	LID, LEG REAR, R	1	

4

Fig. 29

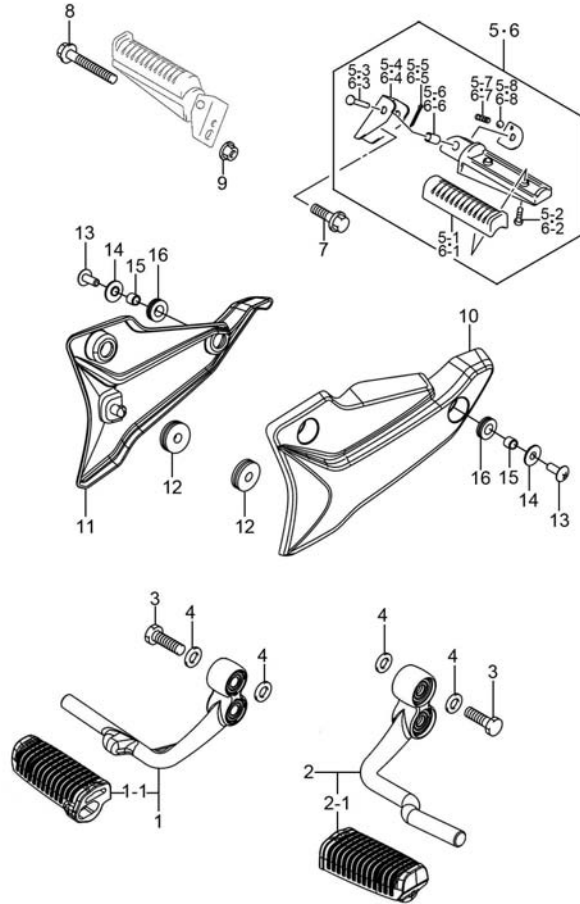


Fig.29 FOOTREST (P05-S280-0024)

REF. No.	PART No.	DESCRIPTION	Q' TY	REMARKS
12	09320-08513-000	CUSHION	2	
13	02142-0616B-000	SCREW	4	
14	09160-06039-000	washer	4	
15	09180H06336H000	SPACER	4	
16	09320H10023H000	CUSHION	4	

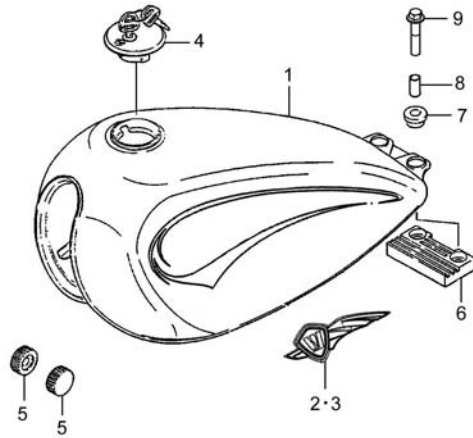
4



Fig. 30

Fig.30 FUEL TANK (P05-S290-0050)

REF. No.	PART No.	DESCRIPTION	Q' TY	REMARKS
1	44011H36711HF01	FUEL TANK SET (RED)	1	
1	44011H36711HF02	FUEL TANK SET (BLACK)	1	
1	44011H36711HF03	FUEL TANK SET (MAUVE)	1	
1	44011H36711HF05	FUEL TANK SET (GREY)	1	
1	44011H36711HF06	FUEL TANK SET (F06)	1	
2	68123H36740H000	EMBLEM, FUEL TANK, L	1	
3	68113H36740H000	EMBLEM, FUEL TANK, R	1	
4	44200H36900H000	CAP ASSY, FUEL TANK FILLER	1	
5	44281H36710H000	CUSHION, FUEL TANK	2	
6	44542-45F00-000	CUSHION, FUEL TANK REAR LOWER	1	
7	44542-36H10-000	CUSHION, FUEL TANK REAR UPPER	2	
8	44544-45F00-000	SPACER, FUEL TANK, REAR	2	
9	09116-06084-000	BOLT, FUEL TANK REAR	2	



4



Fig. 31

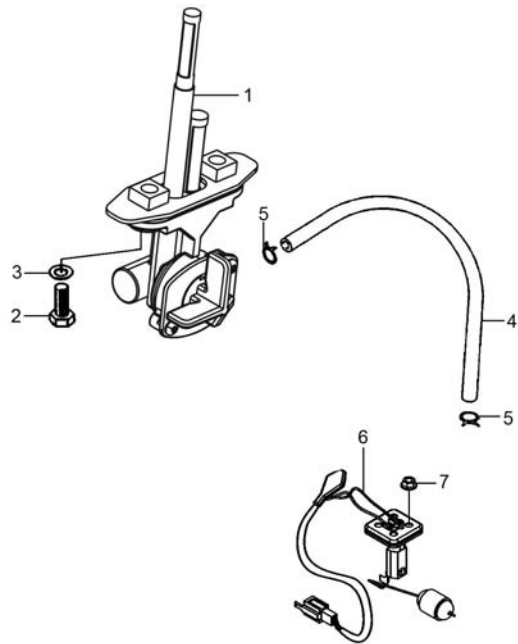


Fig.31 FUEL COCK (P05-S300-0023)

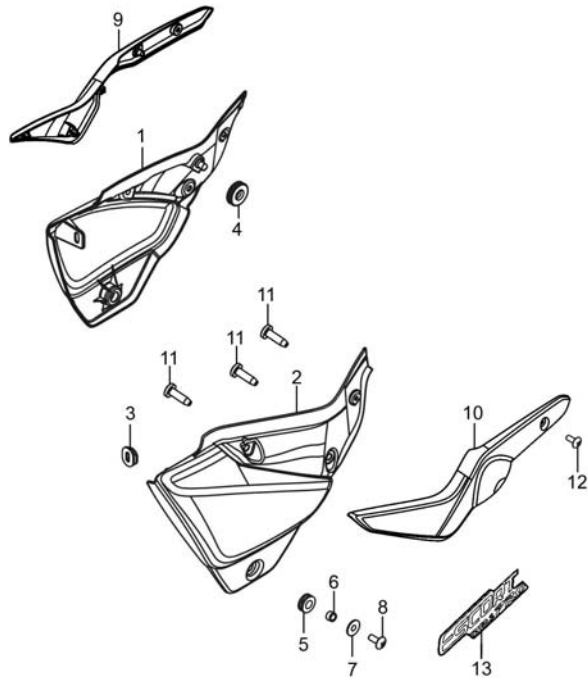
REF. No.	PART No.	DESCRIPTION	Q'TY	REMARKS
1	44300H36300H000	COCK ASSY, FUEL	1	
2	09128-06006-000	BOLT, FUEL COCK	2	
3	09168H06026H000	GASKET, FUEL COCK	2	
4	44420H36600H000	HOSE COMP, FUEL	1	
5	09401-08414-000	CLIP	2	
6	34810H36710H000	GAUGE ASSY, FUEL LEVEL SENDER	1	
7	08316-1006A-000	NUT	4	

4



Fig. 32

Fig.32 FRAME COVER (P05-S310-0052)



REF. No.	PART No.	DESCRIPTION	Q' TY	REMARKS
1	47111H36300HA46	COVER, FRAME, R (RED/MATTE BLACK)	1	
1	47111H36300HA28	COVER, FRAME, R (BLACK/MATTE BLACK)	1	
1	47111H36300HA61	COVER, FRAME, R (PURPLE/MATTE BLACK)	1	
1	47111H36300HA84	COVER, FRAME, R (GRAY/MATTE BLACK)	1	
1	47111H36300HA34	COVER, FRAME, R (BLUE/MATTE BLACK)	1	
2	47211H36301HA46	COVER, FRAME, L (A46)	1	
2	47211H36301HA28	COVER, FRAME, L (A28)	1	
2	47211H36301HA61	COVER, FRAME, L (A61)	1	
2	47211H36301HA84	COVER, FRAME, L (A84)	1	
2	47211H36301HA34	COVER, FRAME, L (A34)	1	
3	09320-03004-000	CUSHION, FRAME COVER LOWER, R	2	
4	09320-08513-000	CUSHION	2	
5	09320H10023H000	CUSHION	2	
6	09180H06336H000	SPACER	2	
7	09160-06039-000	washer	2	
8	02142-0616B-000	SCREW	2	
9	47112H36300H000	LID, FRAME COVER, R	1	
10	47212H36300H000	LID, FRAME COVER, L	1	
11	03541-0512B-000	SCREW	6	
12	09139-06167-000	SCREW	2	
13	68130H36750HS58	TAPE SET, FRAME COVER TYPE (S58)	2	
13	68130H36750HS59	TAPE SET, FRAME COVER TYPE (S59)	2	
13	68130H36750HS80	TAPE SET, FRAME COVER TYPE (S80)	2	
13	68130H36750HS82	TAPE SET, FRAME COVER TYPE (S82)	2	
13	68130H36750HUJ1	TAPE SET, FRAME COVER TYPE (UJ1)	2	

4

Fig. 33

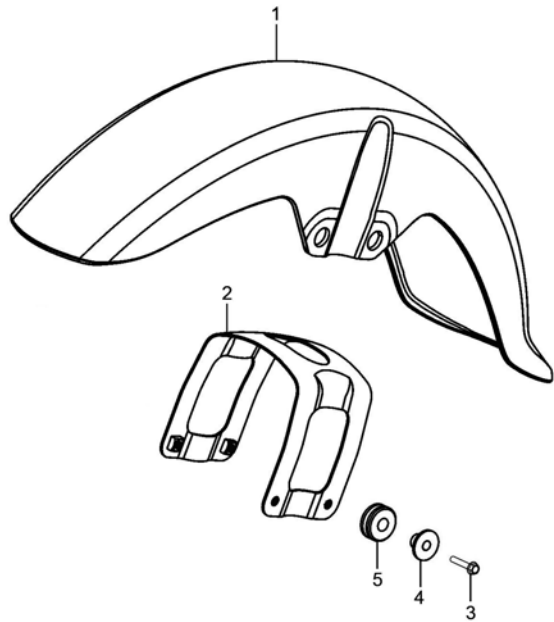


Fig.33 FRONT FENDER (P05-S320-0028)

REF. No.	PART No.	DESCRIPTION	Q' TY	REMARKS
1	53111H36710H102	FENDER, FRONT (RED)	1	
1	53111H36710H541	FENDER, FRONT (PEARL BLACK)	1	
1	53111H36710H701	FENDER, FRONT (PURPLE)	1	
1	53111H36710H808	FENDER, FRONT (GRAY)	1	
1	53111H36710H623	FENDER, FRONT (623)	1	
2	53210H36710H000	BRACE COMP, FRONT FENDER	1	
3	01550-0645A-000	BOLT, HEXAGON HEAD FLANGE	4	
4	09180H06006H000	SPACER	4	
5	09320-08047-000	CUSHION, SEAT TAIL COVER FRONT	4	

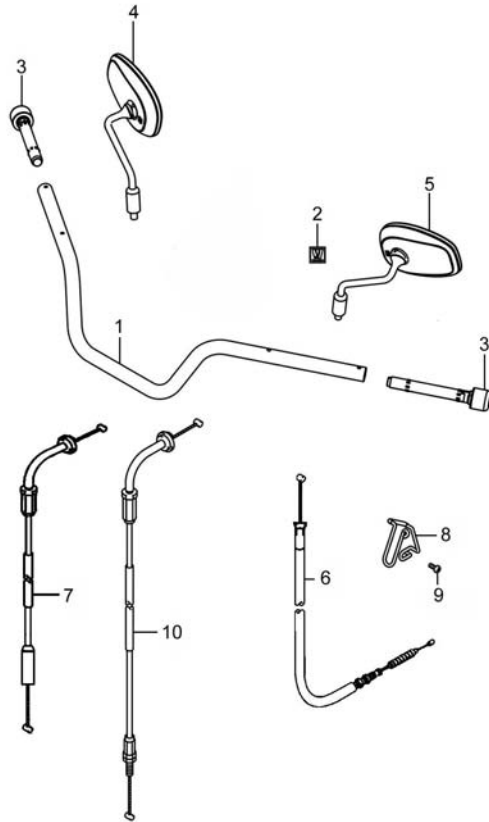
4



Fig. 34

Fig.34 HANDLEBAR (P05-S330-0065)

REF. No.	PART No.	DESCRIPTION	Q' TY	REMARKS
1	56111-053D0-000	HANDLE BAR	1	
2	68171H22500H000	EMBLEM, LOGO	1	
3	56270H36602H000	BALANCER ASSY, HANDLEBAR	2	
4	56500H36711H000	MIRROR ASSY, REAR VIEW, R	1	
5	56600H36711H000	MIRROR ASSY, REAR VIEW, L	1	
6	58200H36600H000	CABLE ASSY, CLUTCH	1	
7	58300H36600H000	CABLE ASSY, THROTTLE	1	
8	58621-26H10-000	GUIDE CABLE	1	
9	02112-1612B-000	SCREWS, CROSS RECESSED HEAD	2	
10	58410H36600H000	CABLE COMP, STARTER	1	



4



Fig. 35

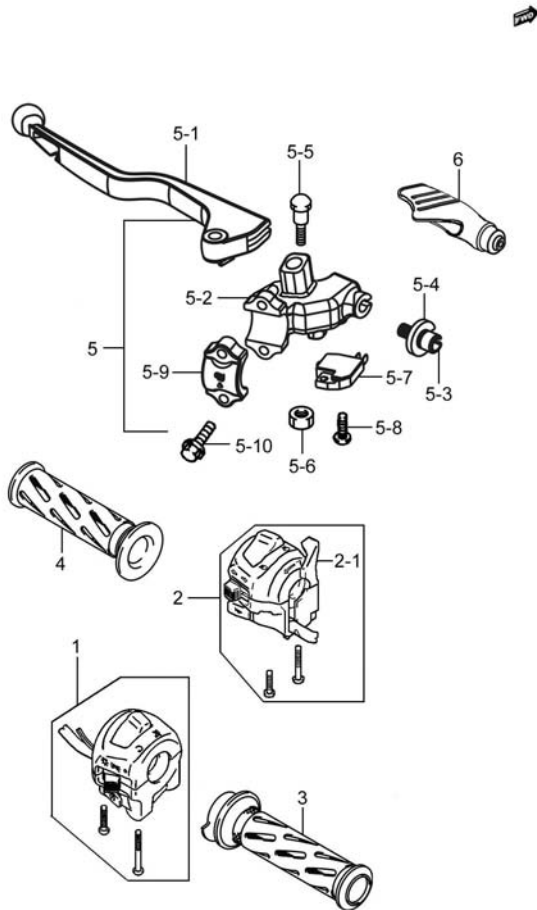


Fig.35 HANDLE SWITCH (P05-S340-0050)

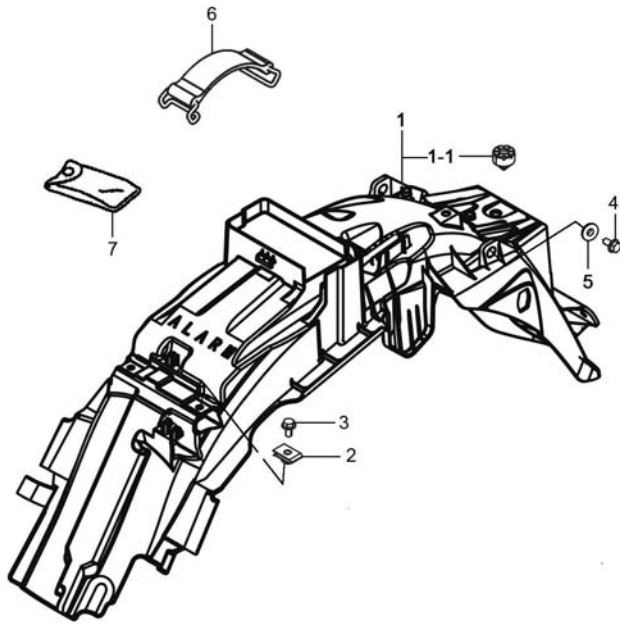
REF. No.	PART No.	DESCRIPTION	Q' TY	REMARKS
1	37200H36710H000	SWITCH ASSY, HANDLE	1	
2	37400H36300H000	SWITCH ASSY, HANDLE, L	1	
2-1	37571H05503H000	LEVER, CHOKE	1	
3	57110-28G10-000	GRIP COMP THROTTLE	1	
4	57211-45FB0-000	GRIP, L	1	
5	57500-053E1-000	LEVER ASSY, CLUTCH	1	
5-1	57621-053C0-000	LEVER, CLUTCH	1	
5-2	57511-053B0-000	HOLDER, LEVER	1	
5-3	57441-053B0-000	ADJUSTER, BRAKE CABLE	1	
5-4	57442-053B0-000	NUT, LOCK	1	
5-5	57431-45C01-000	BOLT, LEVER	1	
5-6	08319-2106A-000	U-NUT	1	
5-7	57560-28G11-000	SWITCH ASSY, CLUTCH	1	
5-8	02112-0410A-000	CROSS RECESSED HEAD SCREW	1	
5-9	57512-45F00-000	BRACKET	1	
5-10	01547-0620B-000	BOLT	2	
6	57661-05300-000	COVER, CLUTCH LEVER	1	

4

Fig. 36

Fig.36 REAR FENDER (P05-S350-0035)

REF. No.	PART No.	DESCRIPTION	Q' TY	REMARKS
1	63011H36713H000	FENDER SET, REAR	1	
1-1	45148-20G00-000	CUSHION, SEAT MOUNT REAR	1	
2	93162-37G00-000	NUT	2	
3	01550-0612A-000	BOLT	2	
4	01550-0620A-000	BOLTS, HEXAGON HEAD FLANGE	2	
5	09180H06025H000	SPACER	2	
6	47435-45FA0-000	BAND, REAR BOX	1	
7	09800H20015H000	TOOL ASSY	1	

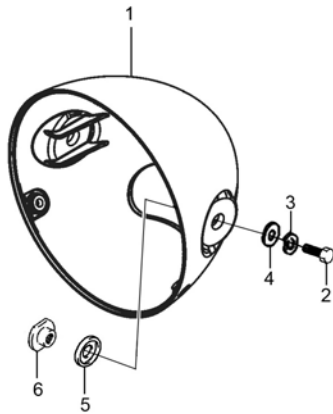


4

Fig. 37

Fig.37 HOUSING,HEADLAMP (P05-S355-0001)

REF. No.	PART No.	DESCRIPTION	Q' TY	REMARKS
1	51811H36300H102	HOUSING, HEADLAMP (RED)	1	
1	51811H36300H541	HOUSING, HEADLAMP (BLACK)	1	
1	51811H36300H701	HOUSING, HEADLAMP (PURPLE)	1	
1	51811H36300H808	HOUSING, HEADLAMP (GRAY)	1	
1	51811H36300H623	HOUSING, HEADLAMP (623)	1	
2	01204-08207-000	BOLT	2	
3	08321-01087-000	WASHER	2	
4	08322-01087-000	PLATE WASHER	2	
5	51827-36H00-000	CUSHION, HEADLAMP HOUSING	2	
6	51825-05300-000	NUT, HEADLAMP HOUSING	2	



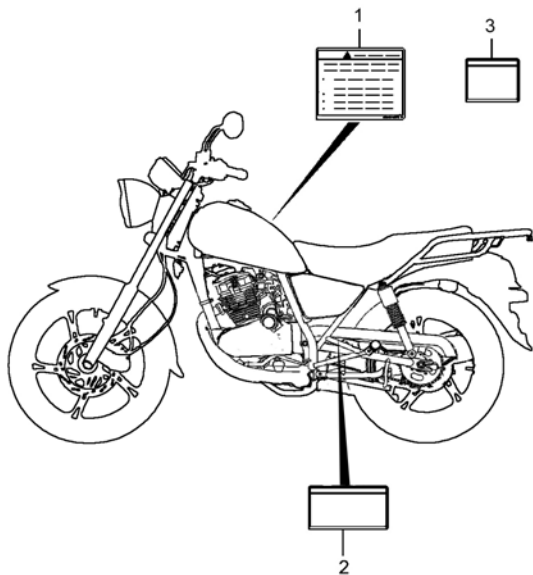
4



Fig. 38

Fig.38 LABEL (P05-S370-0068)

REF. No.	PART No.	DESCRIPTION	Q' TY	REMARKS
1	68319H22510H000	LABEL, GENERAL WARNING	1	
2	68332H36710H000	LABEL, TIRE INFORMATION	1	
3	99011H36731H000	MANUAL, OWNER'S	1	



4

Fig. 39

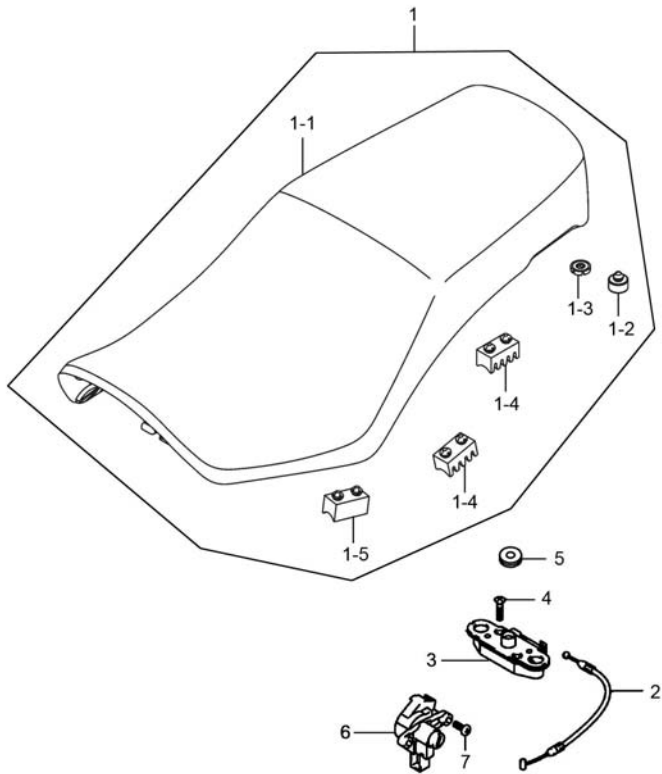


Fig.39 SEAT (P05-S380-0024)

REF. No.	PART No.	DESCRIPTION	Q'TY	REMARKS
1	45100H36710H000	SEAT ASSY	1	
1-1	45160H36900H000	COVER COMP, SEAT	1	
1-2	45148H52100H000	CUSHION, SEAT MOUNT	2	
1-3	45150H22500H000	CUSHION COMP	2	
1-4	45149H36300H000	CUSHION, SEAT MOUNT CTR	4	
1-5	45149H05500H000	CUSHION, SEAT	2	
2	45280H36710H000	CABLE COMP, SEAT LOCK	1	
3	45220H21300H000	LOCK ASSY, SEAT STRIKER	1	
4	02122-0630B-000	CROSS RECESSED COUNTERSUNK HEAD SCREW	2	
5	09320-08051-000	CUSHION, MUF COVER	1	
6	95700H21300H000	LOCK ASSY, SEAT & HELMET	1	
7	95729-05360-000	SCREW, HELMET LOCK	2	

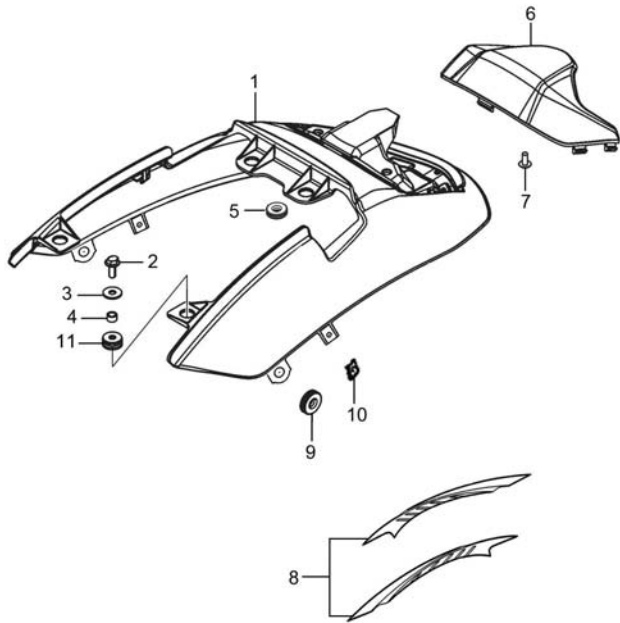
4



Fig. 40

Fig.40 COVER,SEAT TAIL (P05-S390-0044)

REF. No.	PART No.	DESCRIPTION	Q' TY	REMARKS
1	45511H36800H102	COVER, SEAT TAIL (RED)	1	
1	45511H36800H541	COVER, SEAT TAIL (BLACK)	1	
1	45511H36800H701	COVER, SEAT TAIL (MAUVE)	1	
1	45511H36800H808	COVER, SEAT TAIL (GRAY)	1	
1	45511H36800H623	COVER, SEAT TAIL (623)	1	
2	01550-0616A-000	BOLT	4	
3	09160-06039-000	washer	4	
4	09180H06336H000	SPACER	4	
5	09320H10023H000	CUSHION	2	
6	45535H36300H000	COVER, REAR COMB	1	
7	03541-0512B-000	SCREW	2	
8	68160H36730HS58	TAPE SET, SEAT TAIL COVER (S58)	1	
8	68160H36730HS59	TAPE SET, SEAT TAIL COVER (S59)	1	
8	68160H36730HS80	TAPE SET, SEAT TAIL COVER (S80)	1	
8	68160H36730HS82	TAPE SET, SEAT TAIL COVER (S82)	1	
8	68160H36730HUJ1	TAPE SET, SEAT TAIL COVER (UJ1)	1	
9	09320H16002H000	CUSHION	2	
10	93162-37600-000	NUT	2	



4

Fig. 41

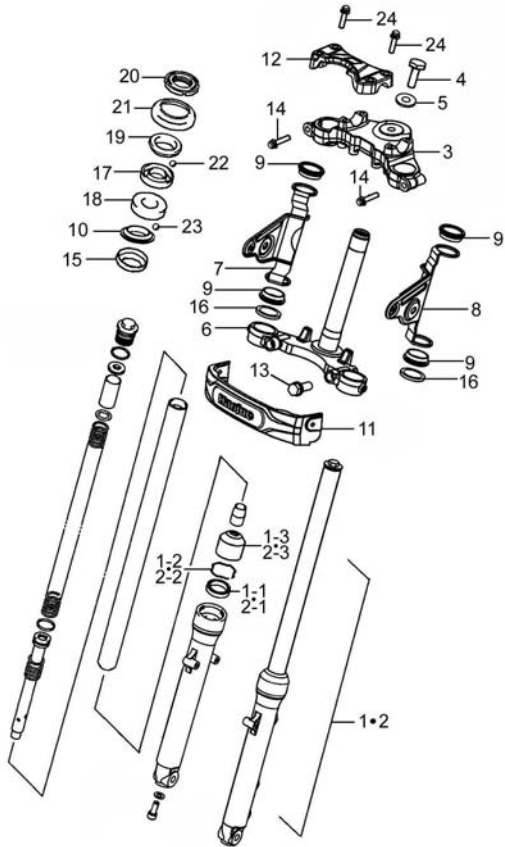


Fig.41 STEERING STEM (P05-S400-0050)

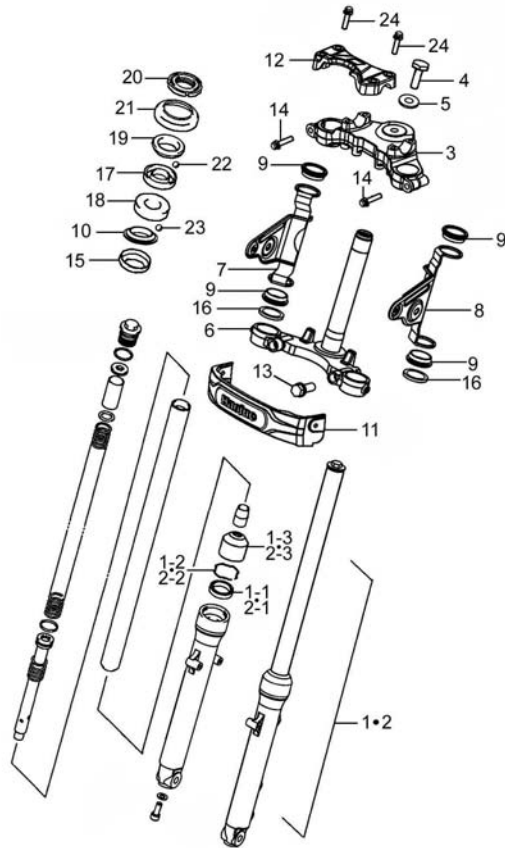
REF. No.	PART No.	DESCRIPTION	Q'TY	REMARKS
1	51103H36730H000	DAMPER ASSY, FRONT FORK, R	1	
1-1	51153-05320-000	SEAL, OIL	1	
1-2	51156-05320-000	RING, SNAP	1	
1-3	51173-05320-000	SEAL, DUST	1	
2	51104H36730H000	DAMPER ASSY, FRONT FORK, L	1	
2-1	51153-05320-000	SEAL, OIL	1	
2-2	51156-05320-000	RING, SNAP	1	
2-3	51173-05320-000	SEAL, DUST	1	
3	51311H36620H000	BRACKET, UPPER	1	
4	51351-05300-000	BOLT, STEERING STEM	1	
5	51356-05300-000	WASHER, STEERING STEM	1	
6	51410-05321-000	BRACKET COMP, UNDER	1	
7	51530H36620H000	BRACKET COMP, HEADLAMP, R	1	
8	51540H36620H000	BRACKET COMP, HEADLAMP, L	1	
9	51553-11301-000	DAMPER, HEADLAMP BRACKET	4	
10	51622H2A200H000	RACE, STEERING OUTER LOWER	1	
11	51871H36302H000	COVER, FRONT FORK	1	
12	56211H36620H000	HOLDER, HANDLE UPPER	1	
13	01570-1235A-000	HEXAGON HEAD BOLT SET	2	
14	01580-0840A-000	HEXAGON HEAD BOLT	2	
15	51644-45FA0-000	SEAL, STEERING, LOWER	1	
16	51555-05300-000	SPACER, HEADLAMP BRACKET	2	
17	51611H2A201H000	RACE, STEERING INNER UPPER	1	
18	51612H2A200H000	RACE, STEERING INNER LOWER	1	
19	51621H2A200H000	RACE, STEERING OUTER, UPPER	1	
20	51631-28000-000	NUT, STEERING STEM	1	
21	51643-36H00-000	SEAL, STEERING DUST UPPER	1	
22	06111-06004-000	BALL, STEERING, UPPER	22	
23	06111-08004-000	BALL, STEERING, UPPER	18	

4

Fig. 41

Fig.41 STEERING STEM (P05-S400-0050)

REF. No.	PART No.	DESCRIPTION	Q' TY	REMARKS
24	01580-0835A-000	HEXAGON HEAD BOLT	4	



4

Fig. 42

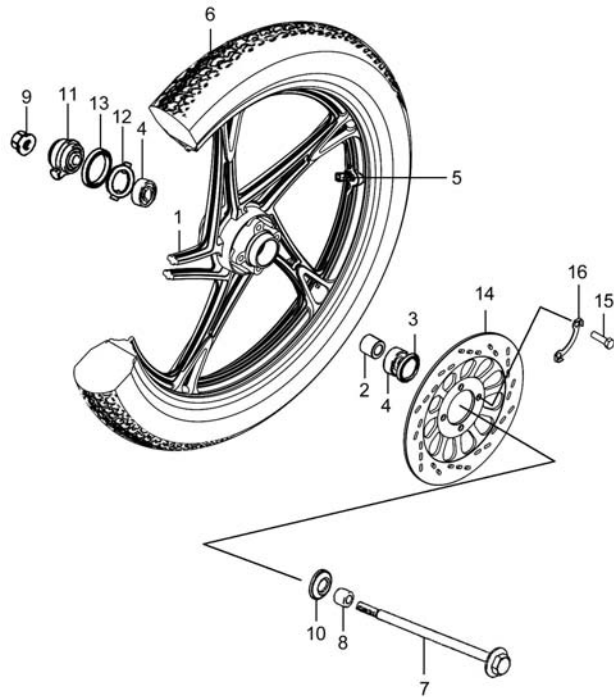


Fig.42 FRONT WHEEL (P05-S410-0040)

REF. No.	PART No.	DESCRIPTION	Q' TY	REMARKS
1	54111H36900H511	WHEEL, FRONT (BLACK)	1	
2	54731H2A000H000	SPACER, FRONT WHEEL BRG	1	
3	54742-45F00-000	SEAL, FRONT HUB	1	
4	08133-6301B-000	BALL BEARING	2	
5	43130H22500H000	VALVE ASSY, WHEEL RIM	1	
6	55100H36710H000	TIRE SET, FR	1	
7	54711-05310-000	AXLE, FRONT	1	
8	54741-45F10-000	SPACER, FRONT AXLE, L	1	
9	08319-3112A-000	U-NUT	1	
10	54892-45F00-000	COVER, FRONT HUB DUST SEAL	1	
11	54600H053A0H000	BOX ASSY, SPEEDOMETER GEAR	1	
12	54661-18410-000	DRIVER, SPEEDOMETER GEAR	1	
13	54651-45F00-000	SEAL, SPDOM GEAR OIL	1	
14	59211-05500-504	DISK, FRONT BRAKE (BLACK)	1	
15	59421-45F00-000	BOLT, FRONT BRAKE DISC	4	
16	09169H08003H000	WASHER	2	

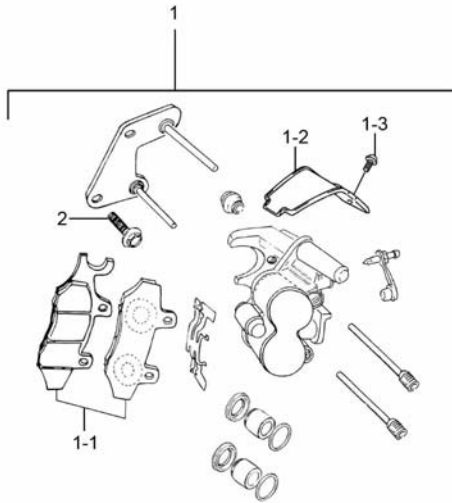
4



Fig. 43

Fig.43 FRONT CALIPER (P05-S420-0009)

REF. No.	PART No.	DESCRIPTION	Q' TY	REMARKS
1	59300H05540H000	CALIPER ASSY, FRONT	1	
1-1	59301H05700H000	PAD & SHIM SET	1	
1-2	59313-13001-000	PROTECTOR, CALIPER	1	
1-3	02112-7512A-000	SCREW	1	
2	01550-0830A-000	BOLTS, HEXAGON HEAD FLANGE	2	



4



Fig. 44

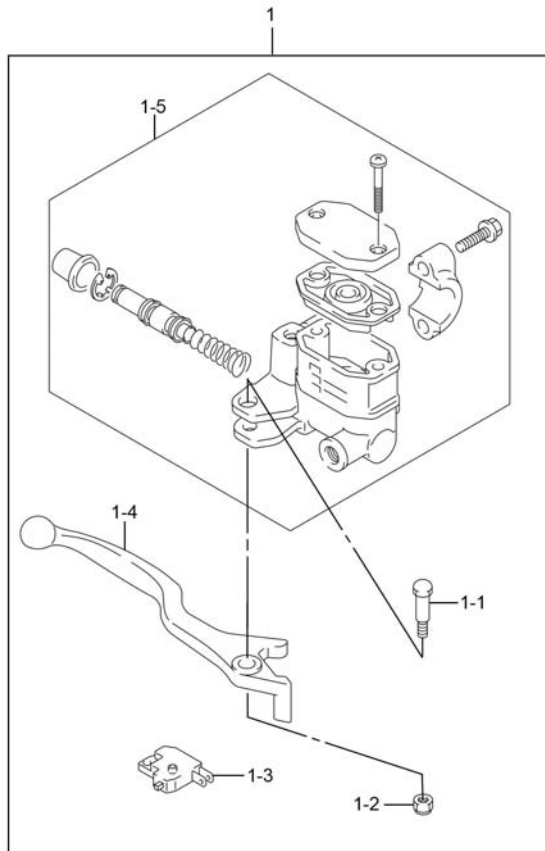


Fig.44 FRONT BRAKE CYLINDER (P05-S430-0009)

REF. No.	PART No.	DESCRIPTION	Q' TY	REMARKS
1	59064H053J0H000	CYLINDER SET, FRONT MASTER	1	
1-1	57321-45F20-000	SCREW, BRAKE PIVOT	1	
1-2	57433-09F00-000	NUT, BRAKE LEVER PIVOT	1	
1-3	57460-17C11-000	SWITCH ASSY, STOP	1	
1-4	57421H45F10H000	LEVER, BRAKE, R	1	
1-5	59600-053D0-000	CYLINDER ASSY, FRONT MASTER	1	

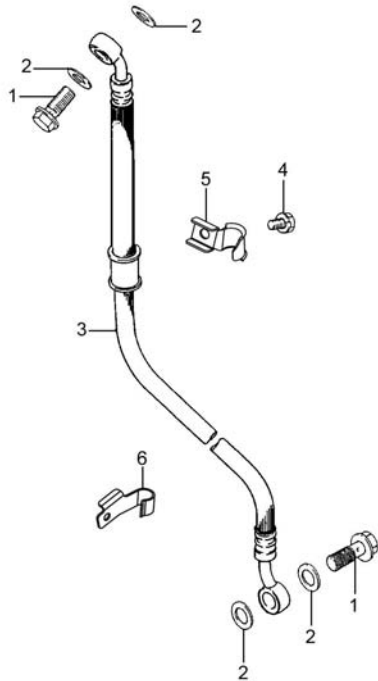
4



Fig. 45

Fig.45 HOSE,FRONT BRAKE (P05-S435-0010)

REF. No.	PART No.	DESCRIPTION	Q' TY	REMARKS
1	09360-10039-000	BOLT, BRAKE FLUID	2	
2	09161-10009-000	WASHER, BRAKE FLUID	4	
3	59480H05370H000	HOSE COMP, FRONT BRAKE	1	
4	01570-0612B-000	HEXAGON HEAD BOLT SET	1	
5	59246H36700H000	CLAMP, BRAKE HOSE	1	
6	59268H36700H000	CLAMP, BRAKE HOSE	1	



4



Fig. 46

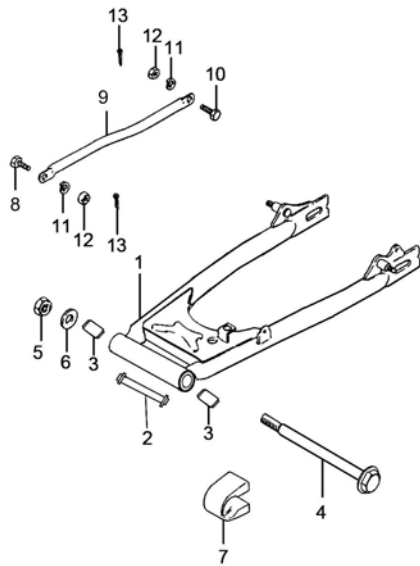


Fig.46 REAR SWINGING ARM (P05-S440-0015)

REF. No.	PART No.	DESCRIPTION	Q'TY	REMARKS
1	61100H36600H000	SWINGINGARM COMP, REAR	1	
2	61280H2A200H000	SPACER COMP, RR SWGARM PIVOT	1	
3	61200H45F00H000	SPACER, RR SWGARM PIVOT	2	
4	61211H2A200H000	SHAFT, RR SWG ARM PIVOT	1	
5	08319-2114A-000	U-NUT	1	
6	08322-0114A-000	PLAIN WASHER	1	
7	61273H05300H000	BUFFER, CHAIN TOUCH DEFENSE	1	
8	09111-08012-000	BOLT, REAR TORQUELINK FRONT	1	
9	64310H36600H000	TORQUELINK COMP, REAR	1	
10	09111-08013-000	BOLT	1	
11	09162-08008-000	LOCK WASHER, RR TORQUELINK	2	
12	09140H08001H000	NUT	2	
13	04111-2020A-000	COTTER PIN	2	

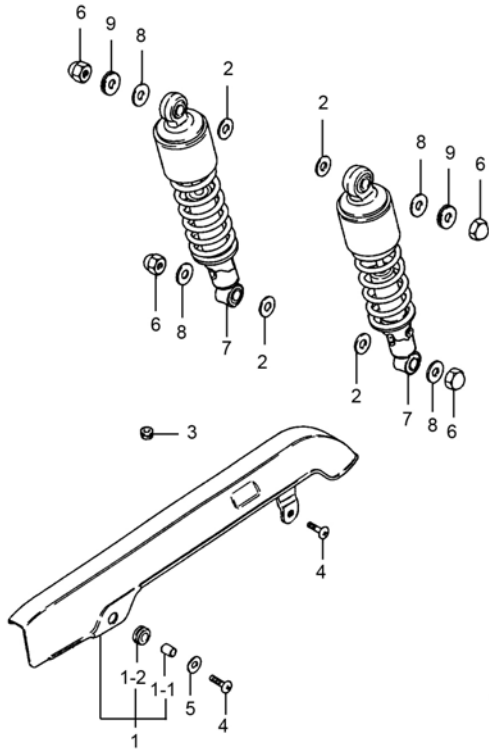
4



Fig. 47

Fig.47 REARSHOCK ABSORBER (P05-S450-0023)

REF. No.	PART No.	DESCRIPTION	Q' TY	REMARKS
1	61031H36710H000	CASE SET, CHAIN	1	
1-1	09180-06259-000	SPACER, CHAIN CASE FRONT	1	
1-2	09320H08005H000	CUSHION	1	
2	09160-12090-000	WASHER, RR SHK ABS INNER	4	
3	09320-08020-000	CUSHION, CHAIN CASE FR INNER	1	
4	02112-3616B-000	CROSS RECESSED HEAD SCREW	2	
5	09160-06027-000	WASHER, CHAIN CASE FRONT	1	
6	09145H10004H000	NUT, CAP	4	
7	62100H36300H000	ABSORBER ASSY, REAR SHOCK	2	
8	09160H10001H000	WASHER, PLAIN	4	
9	09180H10015H000	SPACER	2	



4



Fig. 48

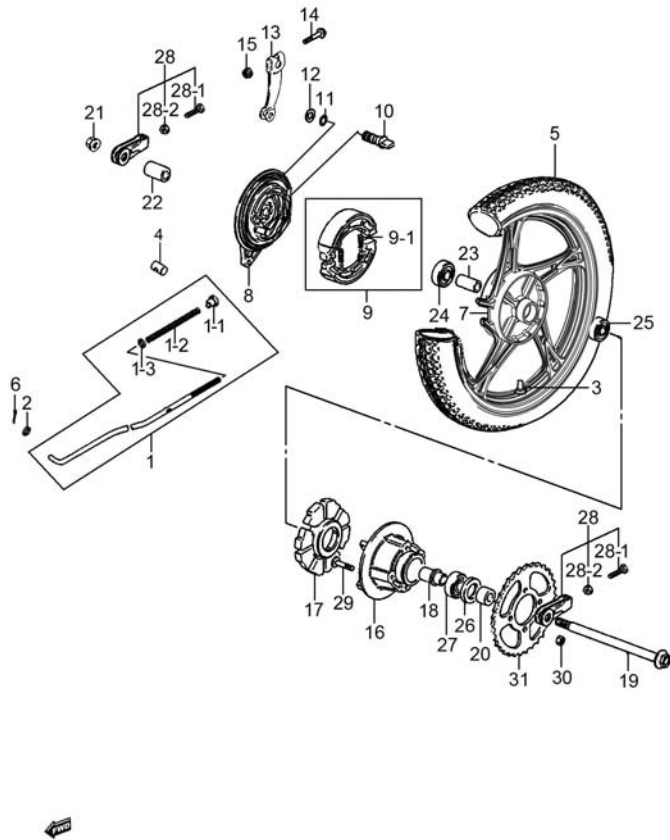


Fig.48 REAR WHEEL (P05-S460-0071)

REF. No.	PART No.	DESCRIPTION	Q' TY	REMARKS
1	43031H36610H000	ROD SET, REAR BRAKE	1	
1-1	09150-06010-000	NUT	1	
1-2	09440H09007H000	SPRING, COMPRESSION	1	
1-3	08322-0106A-000	WASHER, PLAIN	1	
2	08322-0106A-000	WASHER, PLAIN	1	
3	43130H22500H000	VALVE ASSY, WHEEL RIM	1	
4	09209H12004H000	PIN	1	
5	65100H37210H000	TIRE SET, RR	1	
6	04111-2015A-000	COTTER PIN	1	
7	64150H36301H511	WHEEL COMP, REAR (BLACK)	1	
8	64210H2E030H000	PANEL COMP, REAR BRAKE	1	
9	54400H22Y00H000	SHOE COMP, BRAKE	1	
9-1	55421-45F10-000	SPRING, BRAKE SHOE	2	
10	54441H45FC0H000	CAM, FRONT BRAKE	1	
11	09280-14003-000	O-RING, REAR BRAKE CAM	1	
12	09160-14001-000	WASHER, REAR BRAKE CAM	1	
13	64451H12920H000	LEVER, REAR BRAKE CAM	1	
14	01550-0635A-000	BOLT	1	
15	08316-1006A-000	NUT	1	
16	64610-05310-000	DRUM COMP, RR SPROCKET MOUNTING	1	
17	64651-45F00-000	ABSORBER, REAR HUB SHOCK	1	
18	64733H36710H000	RETAINER, REAR SPROCKET DRUM	1	
19	64711H2A000H000	AXLE, REAR	1	
20	09180-15042-000	SPACER, REAR AXLE, L	1	
21	08319-3114A-000	U-NUT	1	
22	09180-15002-000	SPACER, REAR AXLE, R	1	
23	64731-45F00-000	SPACER, REAR HUB BEARING	1	
24	08144-6302B-000	BALL BEARING	1	
25	08143-6202B-000	BALL BEARING	1	

4

Fig. 48

Fig.48 REAR WHEEL (P05-S460-0071)

REF. No.	PART No.	DESCRIPTION	Q' TY	REMARKS
26	09285-28001-000	SEAL, RR SPRKT MTG DRUM OIL	1	
27	08113-6204B-000	BALL BEARING	1	
28	61041H36020H000	ADJUSTER SET, CHAIN	2	
28-1	09104-080A6-000	BOLT	1	
28-2	08310-0008A-000	HEXAGON NUT	1	
29	09119H08002H000	BOLT	4	
30	08310-0008A-000	HEXAGON NUT	4	
31	64511H26H00H000	SPROCKET, REAR	1	

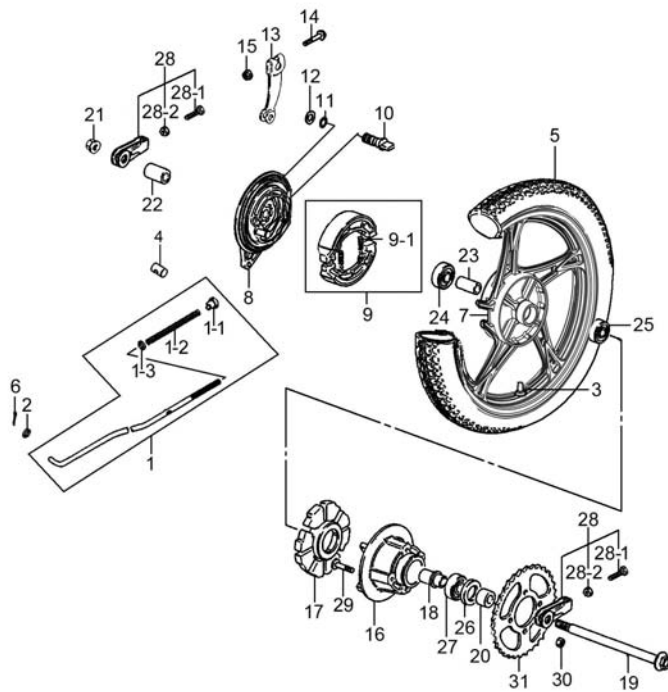


Fig. 49

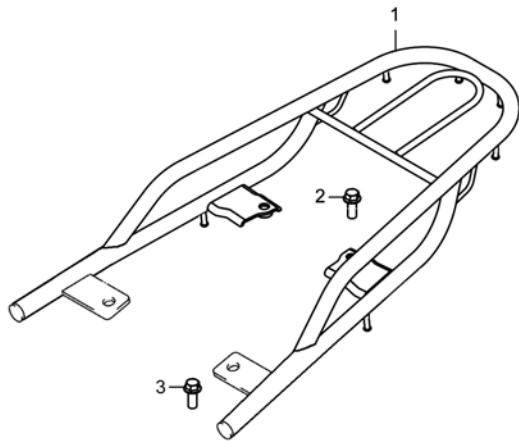


Fig.49 CARRIER (P05-S480-0028)

REF. No.	PART No.	DESCRIPTION	Q' TY	REMARKS
1	46310H36800H000	CARRIER COMP, REAR	1	
2	01550-1025B-000	HEXAGON BOLT WITH FLANGE	2	
3	01550-1020B-000	HEXAGON BOLT WITH FLANGE	2	

4



PART NO.	FIG. NO. – REF. NO.	PART NO.	FIG. NO. – REF. NO.	PART NO.	FIG. NO. – REF. NO.	PART NO.	FIG. NO. – REF. NO.
00000		01550-0620A-000	36-4	04111-2015A-000	29-5-5	08319-2106A-000	35-5-6
		01550-0622A-000	14-2-1	04111-2015A-000	29-6-5	08319-2114A-000	46-5
		01550-0635A-000	48-14	04111-2015A-000	48-6	08319-3108A-000	01-21
		01550-0645A-000	33-3	04111-2020A-000	28-5	08319-3108A-000	27-5
		01550-0812A-000	22-2	04111-2020A-000	46-13	08319-3108A-000	03-20
01204-08207-000	37-2	01550-0830A-000	43-2	04111-2525A-000	28-16	08319-3110A-000	03-21
01500-0820A-000	16-21	01550-0860A-000	27-4	04221-04109-000	16-9	08319-3110A-000	28-10
01500-0825A-000	17-6	01550-1020B-000	49-3	06111-06004-000	41-22	08319-3110A-000	29-9
01547-0525A-000	19-3	01550-1025B-000	29-7	06111-08004-000	29-5-8	08319-3112A-000	42-9
01547-0612A-000	12-13	01550-1025B-000	49-2	06111-08004-000	29-6-8	08319-3114A-000	48-21
01547-0612A-000	03-3	01550-1050A-000	29-8	06111-08004-000	41-23	08321-01087-000	37-3
01547-0612A-000	04-9	01570-0612B-000	45-4	07130-0610A-000	15-11	08322-0106A-000	48-1-3
01547-0614A-000	05-16	01570-1235A-000	41-13	07130-0825A-000	11-2	08322-0106A-000	48-2
01547-0614A-000	03-10	01580-0616B-000	10-2	08110-60060-000	15-2	08322-01087-000	37-4
01547-0616A-000	12-11	01580-0835A-000	41-24	08110-62040-000	15-7	08322-0114A-000	46-6
01547-0616A-000	21-5	01580-0840A-000	41-14	08113-6204B-000	48-27	08331-31129-000	16-15-6
01547-0620A-000	08-8	02112-0410A-000	35-5-8	08133-6301B-000	42-4	08331-31149-000	16-15-3
01547-0620A-000	01-5	02112-0418A-000	16-19	08140-60030-000	07-19	08331-31209-000	15-1-5
01547-0620A-000	04-21	02112-0514A-000	29-5-2	08143-6202B-000	48-25	08331-31209-000	15-5-8
01547-0620B-000	35-5-10	02112-0514A-000	29-6-2	08144-6302B-000	48-24	08361-3506A-000	21-3
01547-0628A-000	04-4	02112-1520A-000	21-11	08211-15251-000	15-1-3	09100-06009-000	28-7
01547-0630A-000	18-2	02112-1612B-000	34-9	08211-15301-000	15-5-14	09100-06026-000	03-13
01547-0635A-000	04-24	02112-3616B-000	47-4	08211-20271-000	15-5-2	09100H05004H000	19-2
01547-0640A-000	04-5	02112-3620A-000	26-13	08310-0006A-000	01-19	09100H06003H000	07-16
01547-0645A-000	04-6	02112-7512A-000	43-1-3	08310-0006A-000	25-8	09100H06022H000	16-14
01547-0650A-000	03-5	02122-0512A-000	05-22	08310-0006A-000	28-8	09103-08527-000	26-16
01547-0650A-000	04-13	02122-0616A-000	07-7	08310-0008A-000	48-28-2	09103H08013H000	01-20
01547-0660A-000	03-6	02122-0630A-000	13-2	08310-0008A-000	48-30	09103H08016H000	03-18
01547-0665A-000	03-22	02122-0630B-000	39-4	08310-00107-000	24-7	09103H08016H000	27-8
01547-0670A-000	04-14	02142-0512A-000	10-1-1	08310-0010A-000	24-4	09103H10003H000	03-19
01550-0612A-000	12-6	02142-0616B-000	29-13	08310-11063-000	22-1-5	09104-080A6-000	48-28-1
01550-0612A-000	27-15	02142-0616B-000	32-8	08316-1006A-000	31-7	09108H06014H000	01-17
01550-0612A-000	36-3	03241-0416A-000	10-1-2	08316-1006A-000	48-15	09111-08012-000	46-8
01550-0616A-000	40-2	03541-0512B-000	32-11	08316-1006B-000	21-7	09111-08013-000	46-10
01550-0620A-000	12-4	03541-0512B-000	40-7	08316-1012A-000	05-18	09111H06006H000	10-6

PART NO.	FIG. NO. – REF. NO.	PART NO.	FIG. NO. – REF. NO.	PART NO.	FIG. NO. – REF. NO.	PART NO.	FIG. NO. – REF. NO.
09116-06008-000	27-10	09161-10009-000	45-2	09200-06040-000	29-6-3	09320-03004-000	32-3
09116-06084-000	30-9	09161H06004H000	11-1-4	09202H05004H000	05-9-4	09320-08020-000	47-3
09119H08002H000	48-29	09162-08008-000	46-11	09205H03001H000	04-29	09320-08047-000	33-5
09128-06004-000	21-2	09164H13001H000	05-10	09206H08004H000	04-3	09320-08051-000	39-5
09128-06006-000	31-2	09166H18001H000	05-28	09206H10007H000	02-4	09320-08513-000	29-12
09128H06001H000	16-10	09168-06023-000	01-6	09206H10007H000	03-1-1	09320-08513-000	32-4
09128H06006H000	01-8	09168-06122-000	11-1-8	09206H10007H000	04-12	09320H08005H000	27-12
09128H06010H000	08-6-1	09168H06002H000	11-1-5	09206H10008H000	01-9	09320H08005H000	47-1-2
09135H08004H000	08-2	09168H06026H000	31-3	09209H12004H000	48-4	09320H09004H000	25-5
09135H12001H000	17-3	09168H12002H000	04-16	09247-12104-000	04-15	09320H10023H000	29-16
09136H06003H000	21-12	09169H08003H000	42-16	09247H12001H000	03-23	09320H10023H000	32-5
09139-06167-000	11-1-2	09180-06038-000	27-11	09259-26023-000	04-17	09320H10023H000	40-5
09139-06167-000	32-12	09180-06259-000	47-1-1	09262H12005H000	05-12	09320H16002H000	40-9
09140H08001H000	46-12	09180-15002-000	48-22	09262H15010H000	15-3	09360-10039-000	45-1
09145H10004H000	47-6	09180-15042-000	48-20	09262H17001H000	14-8	09380H15001H000	17-1-11
09145H20003H000	25-2	09180H06006H000	33-4	09262H17004H000	05-13	09380H19001H000	17-1-9
09148-05L01-000	23-3	09180H06008H000	25-4	09262H35005H000	05-6	09380H24001H000	05-9-5
09150-06010-000	48-1-1	09180H06025H000	36-5	09263H15002H000	15-8	09380H24002H000	05-9-6
09160-06027-000	47-5	09180H06336H000	29-15	09263H23000H000	16-11	09381H14001H000	05-4
09160-06039-000	25-3	09180H06336H000	32-6	09280-14003-000	48-11	09401-06101-000	12-16
09160-06039-000	29-14	09180H06336H000	40-4	09280-22008-000	04-18	09401-08414-000	31-5
09160-06039-000	32-7	09180H10015H000	47-9	09280H11001H000	17-4	09401-15404-000	12-14
09160-06039-000	40-3	09180H16002H000	05-17	09280H18002H000	04-26	09401H07201H000	12-15
09160-06088-000	25-7	09180H30001H000	15-4	09280H19001H000	16-20	09401H13002H000	10-3
09160-06094-000	11-1-7	09181-35108-000	05-7	09280H34002H000	01-18	09401H15201H000	10-4
09160-06164-000	11-1-3	09181H12002H000	05-19	09280H35000H000	13-3	09401H15201H000	12-2
09160-10059-000	29-4	09181H12003H000	07-18	09280H35001H000	03-16	09404-06038-000	26-7
09160-10501-000	24-3	09181H12004H000	17-1-12	09280H50003H000	01-14	09407-05403-000	26-6
09160-12090-000	47-2	09181H16200H000	16-15-2	09280H63001H000	04-20	09407-12402-000	26-3
09160-14001-000	48-12	09181H17001H000	07-10	09280H75001H000	01-3	09407-14403-000	26-4
09160H08003H000	01-12	09181H17240H000	15-5-10	09283H10002H000	07-1	09407-18402-000	26-8
09160H08011H000	08-3	09181H20001H000	17-1-6	09283H14001H000	16-16	09420H04002H000	05-5-1
09160H10001H000	47-8	09181H20270H000	15-1-10	09283H16001H000	17-2	09421H04001H000	05-11
09160H14005H000	28-2	09181H25002H000	05-9-7	09283H20007H000	15-6	09421H04003H000	05-29
09160H16004H000	05-24	09200-06040-000	29-5-3	09285-28001-000	48-26	09440H04030H000	16-6

PART NO.	FIG. NO. – REF. NO.	PART NO.	FIG. NO. – REF. NO.	PART NO.	FIG. NO. – REF. NO.	PART NO.	FIG. NO. – REF. NO.
09440H07002H000	03-9	11165H35010H000	01-11	12683H36000H000	06-4	13255H11200H000	09-1-1
09440H09001H000	05-9-3	11167H12000H000	01-7	12686-26H00-000	05-9-2	13262H11200H000	09-1-12
09440H09007H000	48-1-2	11175H3F000H000	01-13	12691H36000H000	06-6	13263H11200H000	09-1-22
09440H15002H000	16-15-5	11210H3E030H0B0	02-1	12710H3D021H000	07-2	13267H2D030H000	09-1-5
09443-19020-000	28-14	11241H3E000H000	02-5	12741H35010H000	07-15	13268H33000H000	09-1-6
09443H14004H000	28-6	11243H35000H000	02-2	12760H35020H000	08-5	13270H12900H000	09-1-23
09448H15001H000	04-28	11244H35000H000	02-3	12771H35000H000	08-4	13279H36900H000	09-1-7
09448H22001H000	07-17	11300H3CY21H000	03-1	12811H3F000H000	08-1	13295H21D00H000	09-1-17
09448H48003H000	17-1-2	11340H2A440H000	04-1	12830H36Y00H000	08-6	13351H2D030H000	09-1-8
09471-12077-000	22-1-13	11351H2A400H000	04-10	12837H3E000H000	08-7	13370H21D00H000	09-1-20
09471-12081-000	23-1-6	11361H3E002H000	04-22	12840H3D000H000	07-3	13383H36670H000	09-1-3
09471-12128-000	25-1-2	11421H3C010H000	04-7	12842H3D000H000	07-3-1	13388H12700H000	09-1-19
09471-12196-000	22-1-12	11441H36031H000	04-19	12852H33000H000	07-3-2	13389H12700H000	09-1-16
09471H12001H000	23-1-5	11481H3E000H000	03-4	12861H3D000H000	07-4	13432H33000H000	09-1-15
09471H12019H000	24-1-2	11482H3E000H000	04-2	12862H35022H000	07-6	13551H2C010H000	09-1-4
09471H12019H000	24-2-2	11483H3E000H000	04-11	12871H3D000H000	07-5	13573H12700H000	09-1-2
09471H12019H000	24-5-2	11522H33000H000	03-24	12911H3E002H000	07-8	13683H36900H000	09-1-28
09471H12019H000	24-6-2	11971H12020H000	04-25	12912H3E002H000	07-9	13684H2A440H000	09-1-24
09471H12081H000	25-6-1	12111H3E010H0B0	05-1	12921H3F000H000	07-12	13700H36730H000	10-1
09482-00399-000	01-15	12140H3E020H000	05-2	12922H3F000H000	07-11	13781H2A300H000	10-1-3
09491H20000H000	09-1-9	12151H3E000H000	05-3	12931H3E000H000	07-13	13826H45F00H000	10-1-5
09494H12700H000	09-1-25	12200H3E010H000	05-5	12932H50100H000	07-14	13830H11200H000	10-1-6
09800H20015H000	36-7	12511H3C000H000	04-8	13110H3E001H000	01-16	13851H21F00H000	10-5
		12543H36010H000	03-8	13112H22500H000	09-2	13881H2A300H000	10-1-4
		12545H36010H000	03-7	13113H3E001H000	09-3	14036H3675BH000	11-1
10000		12620H36010H000	06-1	13200H36670H000	09-1	14181H11200H000	11-3
		12623H3E020H000	06-2	13224H11200H000	09-1-27	14781H36900H000	11-1-1
		12651H36000H000	06-5	13224H2A000H000	09-1-29	14791H36901H000	11-1-6
		12651H3E000H000	05-14	13225H11200H000	09-1-18	16052H3D000H000	05-20
		12659H3C000H000	05-15	13242H36670H000	09-1-26	16400H3D000H000	13-1
11110H3E0A0H000	01-1	12659H3C000H000	03-12	13247H33000H000	09-1-13	16514H3D000H000	05-20-1
11121H3F000H000	01-2	12661H3D000H000	05-8	13251H11A10H000	09-1-10	16520H21D01H000	03-14
11123H3F010H000	01-4	12670H3E000H000	05-9	13252H33000H000	09-1-11	16520H33000H000	05-20-2
11141H3F000H000	01-10	12679H3E000H000	05-9-1	13253H33000H000	09-1-14	16521H33000H000	05-20-2-2
11142H35000H000	08-6-2	12681H36000H000	06-3	13254H21D00H000	09-1-21	16531H33000H000	05-20-2-4

PART NO.	FIG. NO. – REF. NO.	PART NO.	FIG. NO. – REF. NO.	PART NO.	FIG. NO. – REF. NO.	PART NO.	FIG. NO. – REF. NO.
16532H33000H000	05-20-2-1	23121H3D000H000	14-7	25518H3E000H000	16-15-4	32100H22520H000	19-1
16541H33001H000	03-15	23131H3D000H000	14-6	25600H36600H000	16-17	32101H22500H000	19-1-1
16542H36000H000	03-17	23270H3D020H000	04-27	25652H16500H000	16-17-1	32102H22520H000	19-1-2
16551H33000H000	05-20-2-3	23285H35000H000	04-23	26210H3E000H000	17-1	32111H33000H000	19-5
16561H3E000H000	05-21	24102H3E040H000	15-1	26211H3E000H000	17-1-4	32113H35000H000	19-4
16581H33000H000	14-5	24103H3E061H000	15-5	26221H35000H000	17-1-1	32115H35000H000	03-2
18410H30210H000	12-9	24121H3D010H000	15-1-1	26222H35000H000	17-1-3	32800H05523H000	21-4
18441H50100H000	12-10	24122H3E000H000	15-1-11	26225H35000H000	17-1-10	32900H2A401H000	21-6
18442H36600H000	12-12	24131H3D001H000	15-5-1	26226H36000H000	17-1-8	32931-05340-000	21-8
18450H12EB0H000	12-3	24201H3E020H000	15-1-9	26241H35000H000	17-1-5	32980-05300-000	21-9
18461H30201H000	12-7	24221H3E010H000	15-1-2	26251H35000H000	17-1-7	33410H05551H000	21-10
18463H36600H000	12-8	24231H3E000H000	15-1-8	26261H3E000H000	15-5-15	33510-04H10-000	21-10-1
18610H2E000H000	12-5	24232H33000H000	15-1-6	26263H35000H000	15-5-13	33541H2M100H000	21-10-2
18710H36600H000	12-1	24232H33000H000	15-5-7	26300H22510H000	17-5	33542H05500H000	21-10-3
		24241H3E010H000	15-1-7	26352-01000-000	17-5-1	33620H2E010H000	20-1
20000		24251H3E010H000	15-1-4	27511H36010H000	15-9	33651-45F11-000	20-4
		24311H3E000H000	15-5-11	27521H33010H000	15-10	33652-05310-000	20-2
		24314H35000H000	15-5-12	27600H3D000H116	15-12	33652-38000-000	20-5
		24321H3E000H000	15-5-3	27620H3D000H000	15-12-1	33810H3F000H000	18-1-2
		24322H3E000H000	15-5-4			33860H2A200H000	20-3
21111H3D010H000	05-25	24331H3E010H000	15-5-9	30000		34100H36741H000	22-1
21112H3D010H000	05-26	24341H3E000H000	15-5-6			34111H36740H000	22-1-2
21114H3E000H000	05-27	24351H3E010H000	15-5-5			34150H36311H000	22-1-1
21200H3E001H000	14-1	24741H36000H000	03-11			34152H36310H000	22-1-3
21346H33000H000	14-4	25211H3E010H000	16-1			34173H36610H000	22-1-11
21346H3E000H000	05-23	25231H3E010H000	16-2	31100H3F000H000	18-1	34181-17E00-000	22-1-4
21410H3E010H000	14-2	25241H3E010H000	16-3	31133H22500H000	18-1-1-1	34383-09400-000	22-1-8
21411H3E000H000	14-2-8	25311H3E010H000	16-5	31135H22500H000	18-1-1-2	34500H36310H000	22-1-9
21413H3D000H000	14-2-3	25314H3E000H000	16-7	31153H22500H000	18-1-3	34810H36710H000	31-6
21441H36020H000	14-2-6	25350H3E010H000	16-12	31156H22500H000	18-1-4	34910H36601H000	22-3
21441H36030H000	14-2-5	25351H3E010H000	16-13	31156H22510H000	18-1-5	34950H36310H000	22-1-6
21451H3E010H000	14-2-7	25381H3E020H000	16-8	31156H22520H000	18-1-7	34955H36310H000	22-1-7
21462H3E000H000	14-2-4	25411H3E000H000	16-4	31175H22500H000	18-1-1	34980H36310H000	22-1-10
21471H35000H000	14-2-2	25500H3E030H000	16-15	31281H22500H000	18-1-6	35100H36320H000	23-1
21481H33000H000	14-3	25510H3E030H000	16-15-1	31800-49110-000	21-1	35111H36310H000	23-1-1

PART NO.	FIG. NO. – REF. NO.	PART NO.	FIG. NO. – REF. NO.	PART NO.	FIG. NO. – REF. NO.	PART NO.	FIG. NO. – REF. NO.
35121H36310H000	23-1-2	40000		43613-45F00-000	29-5-7	47111H36300HA46	32-1
35171H36310H000	23-1-3			43613-45F00-000	29-6-7	47111H36300HA61	32-1
35174H36310H000	23-1-4			43621-45F00-000	29-5-4	47111H36300HA84	32-1
35181-45F10-000	23-2			43621-45F00-000	29-6-4	47112H36300H000	32-9
35601H36710H000	24-1			43700-45F10-000	29-6	47211H36301HA28	32-2
35602H36710H000	24-2	41102H36Y50H000	27-1	44011H36711HF01	30-1	47211H36301HA34	32-2
35603H36710H000	24-5	41540-05310-000	27-9	44011H36711HF02	30-1	47211H36301HA46	32-2
35604H36710H000	24-6	41894H30102HN00	21-13	44011H36711HF03	30-1	47211H36301HA61	32-2
35610H2C000H000	24-1-1	41940H36620H000	27-6	44011H36711HF05	30-1	47211H36301HA84	32-2
35610H2C000H000	24-6-1	41950H36620H000	27-7	44011H36711HF06	30-1	47212H36300H000	32-10
35630H2C000H000	24-2-1	41970H36600H000	27-2	44200H36900H000	30-4	47435-45FA0-000	36-6
35630H2C000H000	24-5-1	41980H21F00H000	27-3	44281H36710H000	30-5	48261H36300H000	29-11
35695-17C00-000	24-8	42100H36710H000	28-17	44300H36300H000	31-1	48271H36300H000	29-10
35710H36710H000	25-1	42211H2A200H000	28-15	44420H36600H000	31-4		
35712H36310H000	25-1-1	42241-26H10-000	28-12	44542-36H10-000	30-7		
35910H36710H000	25-6	42278-26H00-000	11-1-9	44542-45F00-000	30-6	50000	
35950H7A000H000	23-4	42310-05340-000	28-13	44544-45F00-000	30-8		
35996-48H00-000	25-9	42341-36H00-000	28-11	45100H36710H000	39-1		
36610H36730H000	26-1	43031H36610H000	48-1	45148-20G00-000	36-1-1		
36618H2D000H000	26-17	43110H36660H000	28-1	45148H52100H000	39-1-2		
36618H79201H000	26-10	43115H36660H000	28-9	45149H05500H000	39-1-5	51103H36730H000	41-1
36651-05310-000	26-2	43122H36660H000	28-3	45149H36300H000	39-1-4	51104H36730H000	41-2
36651-26H50-000	26-5	43130H22500H000	42-5	45150H22500H000	39-1-3	51153-05320-000	41-1-1
37011H36900H000	26-14	43130H22500H000	48-3	45160H36900H000	39-1-1	51153-05320-000	41-2-1
37100H36900H000	26-12	43142H21302H000	28-4	45220H21300H000	39-3	51156-05320-000	41-1-2
37200H36710H000	35-1	43501H36611H000	29-1	45280H36710H000	39-2	51156-05320-000	41-2-2
37400H36300H000	35-2	43502H36611H000	29-2	45511H36800H102	40-1	51173-05320-000	41-1-3
37571H05503H000	35-2-1	43539-45F00-000	29-3	45511H36800H541	40-1	51173-05320-000	41-2-3
37720H3E001H000	16-18	43550-45F00-000	29-5-1	45511H36800H623	40-1	51311H36620H000	41-3
37740H36600H000	26-11	43550-45F00-000	29-6-1	45511H36800H701	40-1	51351-05300-000	41-4
38500H36710H000	26-15	43551H36310H000	29-1-1	45511H36800H808	40-1	51356-05300-000	41-5
38610-20K01-000	24-9	43551H36310H000	29-2-1	45535H36300H000	40-6	51410-05321-000	41-6
		43600-45F10-000	29-5	46310H36800H000	49-1	51455H36010H000	26-9
		43611-45F00-000	29-5-6	47111H36300HA28	32-1	51530H36620H000	41-7
		43611-45F00-000	29-6-6	47111H36300HA34	32-1	51540H36620H000	41-8

PART NO.	FIG. NO. – REF. NO.	PART NO.	FIG. NO. – REF. NO.	PART NO.	FIG. NO. – REF. NO.	PART NO.	FIG. NO. – REF. NO.
51553-11301-000	41-9	54892-45F00-000	42-10	59421-45F00-000	42-15	68130H36750HS82	32-13
51555-05300-000	41-16	55100H36710H000	42-6	59480H05370H000	45-3	68130H36750HUJ1	32-13
51611H2A201H000	27-1-1	55421-45F10-000	48-9-1	59600-053D0-000	44-1-5	68160H36730HS58	40-8
51611H2A201H000	41-17	56111-053D0-000	34-1			68160H36730HS59	40-8
51612H2A200H000	27-1-2	56211H36620H000	41-12			68160H36730HS80	40-8
51612H2A200H000	41-18	56270H36602H000	34-3	60000		68160H36730HS82	40-8
51621H2A200H000	41-19	56500H36711H000	34-4			68160H36730HUJ1	40-8
51622H2A200H000	41-10	56600H36711H000	34-5			68171H22500H000	34-2
51631-28000-000	41-20	57110-28G10-000	35-3			68311H30180H000	27-13
51643-36H00-000	41-21	57211-45FB0-000	35-4			68319H22510H000	38-1
51644-45FA0-000	41-15	57321-45F20-000	44-1-1		61031H36710H000	47-1	68332H36710H000
51811H36300H102	37-1	57421H45F10H000	44-1-4	61041H36020H000	48-28	68389-45F00-000	27-14
51811H36300H541	37-1	57431-45C01-000	35-5-5	61100H36600H000	46-1		
51811H36300H623	37-1	57433-09F00-000	44-1-2	61200H45F00H000	46-3		
51811H36300H701	37-1	57441-053B0-000	35-5-3	61211H2A200H000	46-4		
51811H36300H808	37-1	57442-053B0-000	35-5-4	61273H05300H000	46-7	90000	
51825-05300-000	37-6	57460-17C11-000	44-1-3	61280H2A200H000	46-2		
51827-36H00-000	37-5	57500-053E1-000	35-5	62100H36300H000	47-7		
51871H36302H000	41-11	57511-053B0-000	35-5-2	63011H36713H000	36-1		
53111H36710H102	33-1	57512-45F00-000	35-5-9	64150H36301H511	48-7		
53111H36710H541	33-1	57560-28G11-000	35-5-7	64210H2E030H000	48-8	93162-37G00-000	36-2
53111H36710H623	33-1	57621-053C0-000	35-5-1	64310H36600H000	46-9	93162-37G00-000	40-10
53111H36710H701	33-1	57661-05300-000	35-6	64451H12920H000	48-13	95700H21300H000	39-6
53111H36710H808	33-1	58200H36600H000	34-6	64511H26H00H000	48-31	95729-053G0-000	39-7
53210H36710H000	33-2	58300H36600H000	34-7	64610-05310-000	48-16	99011H36731H000	38-3
54111H36900H511	42-1	58410H36600H000	34-10	64651-45F00-000	48-17		
54400H22Y00H000	48-9	58621-26H10-000	34-8	64711H2A000H000	48-19		
54441H45F00H000	48-10	58621H22500H000	22-4	64731-45F00-000	48-23		
54600H053A0H000	42-11	59064H053J0H000	44-1	64733H36710H000	48-18		
54651-45F00-000	42-13	59211-05500-504	42-14	65100H37210H000	48-5		
54661-18410-000	42-12	59246H36700H000	45-5	68113H36740H000	30-3		
54711-05310-000	42-7	59268H36700H000	45-6	68123H36740H000	30-2		
54731H2A000H000	42-2	59300H05540H000	43-1	68130H36750HS58	32-13		
54741-45F10-000	42-8	59301H05700H000	43-1-1	68130H36750HS59	32-13		
54742-45F00-000	42-3	59313-13001-000	43-1-2	68130H36750HS80	32-13		

Haojue TZ150 PRO PARTS CATALOGUE

1st Edition

Published in 2021.11

DACHANGJIANG GROUP CO.,LTD.

No.5, Jiandabei Rd., Jiangmen City, Guangdong Province, P.R.China

Tel: 86-750-3288999 Fax: 86-750-3230989 Code: 529000

DACHANGJIANG GROUP COPYRIGHT POSSESSION.

DACHANGJIANG GROUP CO. , LTD.