

Haojue

PARTS CATALOGUE

UF115

PREFACE

This catalogue lists the spare parts used for the following model. Please do refer to the parts catalogue and indicate the parts number and the name listed in this catalogue correctly when you need to replace the spare parts.

Design Code	Factory Reference No. (Abbr. form in the catalogue)	Engine Reference No.	Engine Cad No.
UF115	FJ5A16U10Y-XXE05	EJ16U07-E05	10092H16008H000

一、 How to place an order for spare parts?

1. Required document:

The number must be provided as follow when order the spare parts:

- (a) The Engine parts: parts number and the Engine number
- (b) The Body parts: parts number and the Frame number

2. Revision

The Revised Version would be published at a suitable time when the parts Catalogue needed to be revised or renewed. In this case, the edition number would be marked on the cover. The parts would have some difference because our products are improved continuously and the modified parts no. will not be informed before the new edition published.

二、 How to use the parts catalogue?

1. Size

The unit of the parts' size indicated in the catalogue is 'mm', for example:

Parts name	Description
Bolt 6×12	Diameter 6mm, Length 12mm

O Ring D: 3.0, ID: 29.5	Section diameter 3mm, inner diameter 29.5mm
Bearing 35×72×17	Inner diameter 35mm, Outer diameter 72mm, Thickness 17mm

2. Abbr.

The meaning of the Abbreviations in the catalogue are as the followings:

D: Section diameter NT: Number of Teeth L: Length ID: Inner diameter W: Width

OPT: Optional T: Thickness OD: Outer diameter OS: Over size

STD: Standard US: Under size LH: Left hand side RH: Right hand side

3. Assy and the inner parts

The part number with a hyphen '-' in the front means this part could be supplied with the Assy (or the comp.), also could be supplied seperately.

For example:

Item 1 CYLINDER HEAD ASSY

Item1-1 PIN,CAMSHAFT COVER

That means Item1-1 can be supplied with Item 1 and aslo can be supplied seperately.

4. The illustrations in the catalogue are just for the purpose to distinguish the parts. There might be some discrepancies between the illustrations and the real parts.. Furthermore, the illustrations can not be used for the assembling purpose. When assembling, pls use the Service Manual of the relative models.

5. The instruction for the color parts

The catalogue lists are being supervised by color code.

For example: Assy,Fuel Tank 44100H22000HF01 F01 is the colour code and means "RED".

When place an order for the color parts, please use the correct parts number (with the color code), based on the compound color sheet of the models.

This catalogue is edited according to the datas before 2020-12-30. The modification after that time should refer to the latest SPS(Spare Parts Modification notice).

UF115 COLOR TABLE FJ5A16U10Y-XXE05 6 COLOR STYLES

REF. NO.	DESCRIPTION	PART NO.	a01 BLACK	a02 WHITE	a03 SILVERY	a04 SILVERY	a05 RED	a06 BLUE	REMARKS
15	DAMPER ASSY, FRONT FORK, L	51104H5A010H000	511	511	511	511	511	511	
16	DAMPER ASSY, FRONT FORK, R	51103H5A010H000	511	511	511	511	511	511	
17	COWLING SET	94041H5A000H000	F01	F02	F03	F03	F02	F06	
18	BODY, COWLING	94411H5A000H000	504	911	815	815	911	911	NOT SUPPLY
19	TAPE SET, COWLING BODY	68270H5A000H000	T61	T62	T63	T63	T62	T65	
20	LOGO	68170H79000H000	SIL	MT1	MT1	MT1	MT1	MT1	
21	COVER SET, FRAME, L	48024H5A000H000	F01	F02	F03	F01	F02	F06	
22	SHIELD, LEG SIDE, L	48241H5A000H000	504	911	815	504	911	911	NOT SUPPLY
23	TAPE, SIDE COVER, L	68156H5A000H000	T61	T62	T63	T61	T62	T65	
24	COVER SET, FRAME, R	48014H5A000H000	F01	F02	F03	F01	F02	F06	
25	SHIELD, LEG SIDE, R	48141H5A000H000	504	911	815	504	911	911	NOT SUPPLY
26	TAPE, SIDE COVER, R	68155H5A000H000	T61	T62	T63	T61	T62	T65	
27	LID, FRAME, REAR	47371H5A000H000	504	911	815	504	911	911	

INFORMATION ILLUSTRATION INDEX

1

ENGINE & TRANSMISSION

2

ELECTRICAL

3

BODY

4

PARTS NUMBER INDEX

5

1

Fig. 9 CARBURETOR (X03-C090-0004)

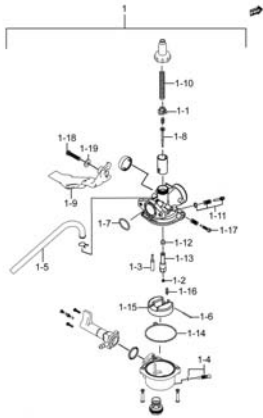


Fig. 10 AIR CLEANER (X03-C100-0001)

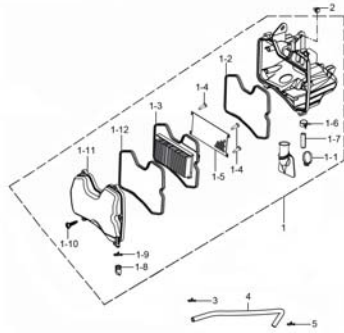


Fig. 11 MUFFLER (X03-C110-0007)

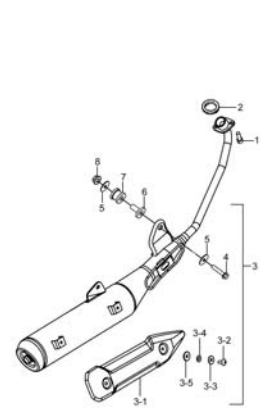


Fig. 12 OIL PUMP (X03-C130-0001)

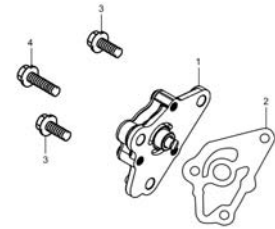


Fig. 13 CLUTCH (X03-C140-0002)

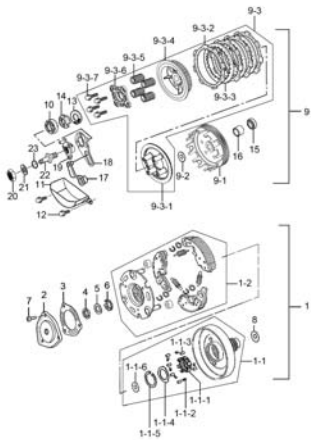


Fig. 14 TRANSMISSION (X03-C150-0002)

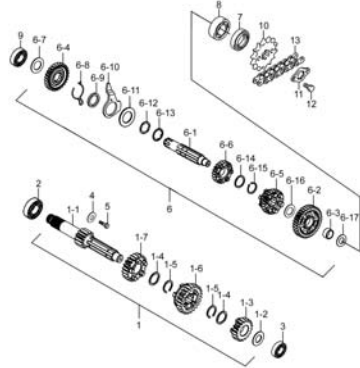


Fig. 15 GEAR SHIFTING (X03-C160-0001)

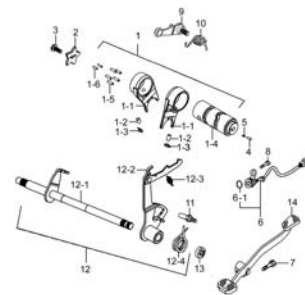


Fig. 16 KICK STARTER (X03-C165-0002)

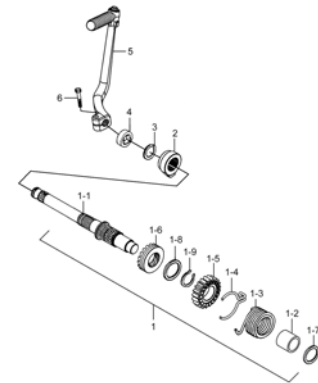


Fig. 17 STARTING MOTOR (X03-C170-0001)

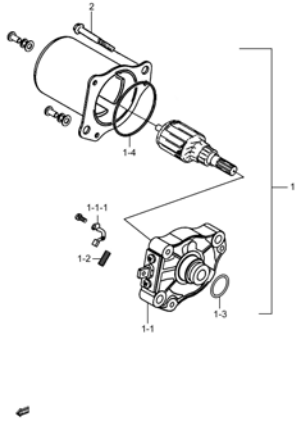


Fig. 18 MAGNETO (X03-C180-0001)

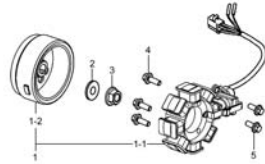


Fig. 19 BATTERY (X03-C190-0002)

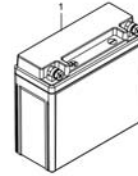


Fig. 20 ELECTRICAL (X03-C200-0001)

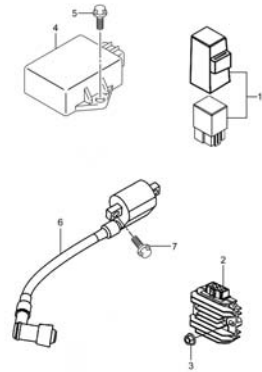


Fig. 21 SPEEDOMETER (X03-C210-0005)

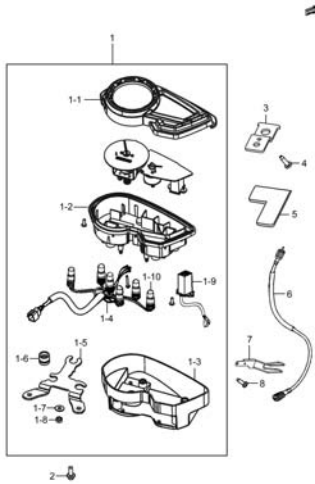


Fig. 22 HEADLAMP (X03-C220-0003)

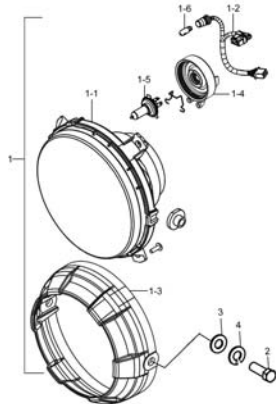


Fig. 23 TURN SIGNAL LAMP (X03-C230-0005)

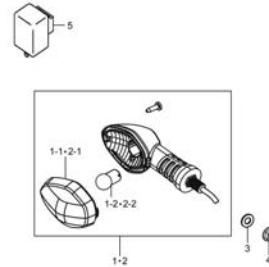


Fig. 24 REAR COMBINATION LAMP (X03-C240-0005)

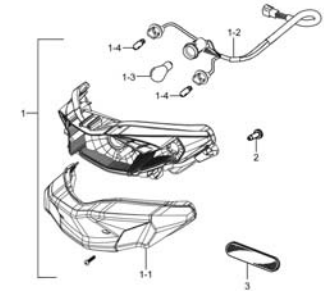


Fig. 25 WIRING HARNESS (X03-C250-0009)

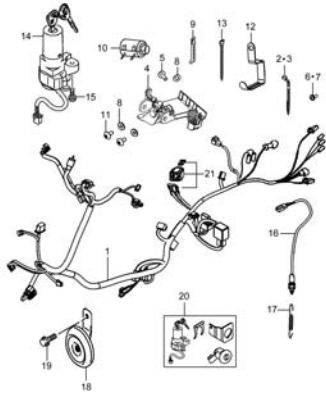


Fig. 26 FRAME (X03-C260-0007)

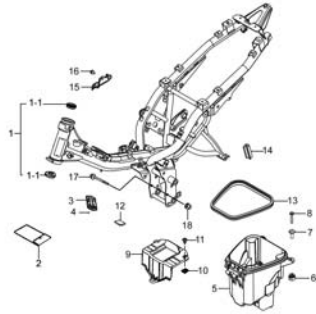


Fig. 27 STAND (X03-C270-0002)

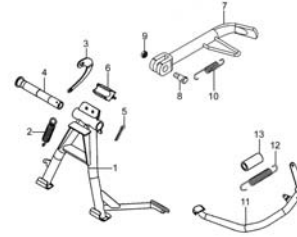


Fig. 28 FOOTREST (X03-C280-0005)

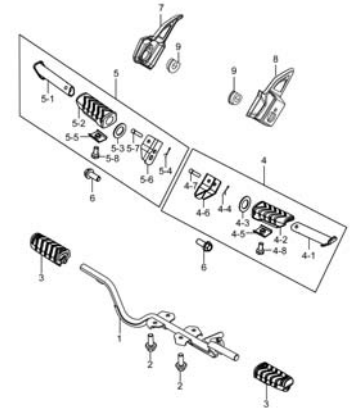


Fig. 29 FUEL TANK (X03-C290-0005)

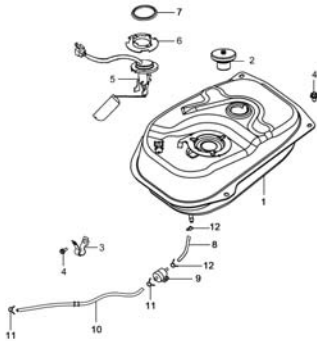


Fig. 30 LEG SHIELD (X03-C305-0008)

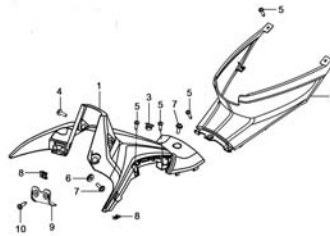


Fig. 31 FRAME COVER (X03-C310-0007)

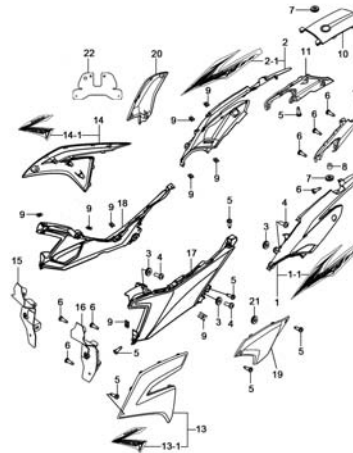


Fig. 32 FRONT FENDER (X03-C320-0003)

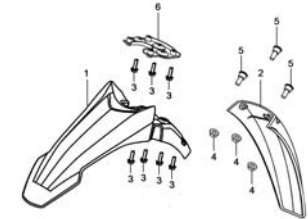


Fig. 33 HANDLEBAR (X03-C330-0008)

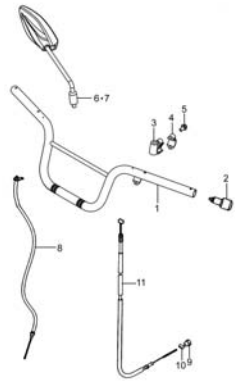


Fig. 34 HANDLE SWITCH (X03-C340-0009)

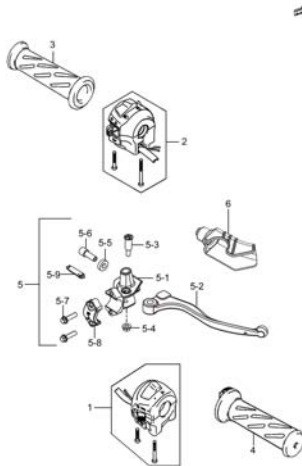


Fig. 35 REAR FENDER (X03-C350-0006)

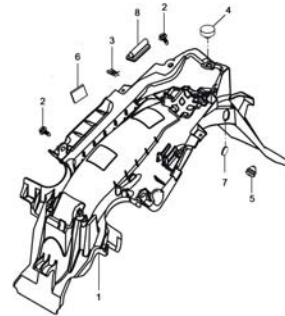


Fig. 36 HOUSING, HEADLAMP (X03-C355-0006)

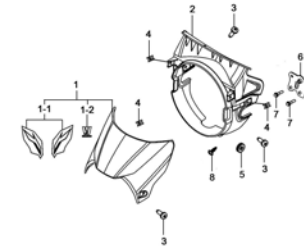


Fig. 37 LABEL (X03-C370-0011)

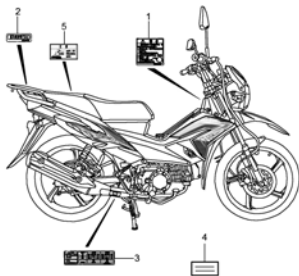


Fig. 38 SEAT (X03-C380-0004)

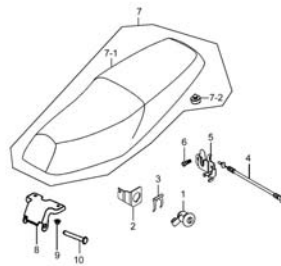


Fig. 39 STEERING STEM (X03-C400-0005)

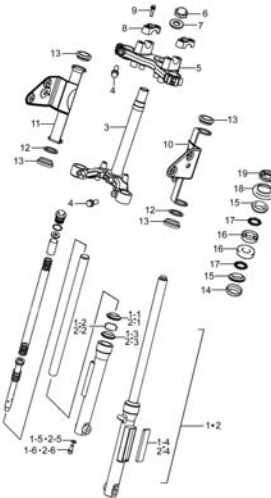
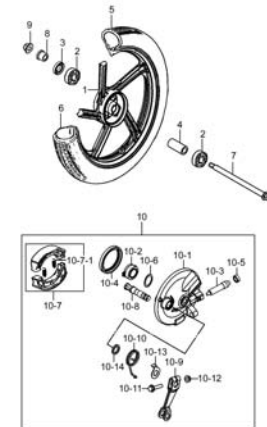


Fig. 40 FRONT WHEEL (X03-C410-0007)



1

Fig. 41 REAR SWINGING ARM
(X03-C440-0007)

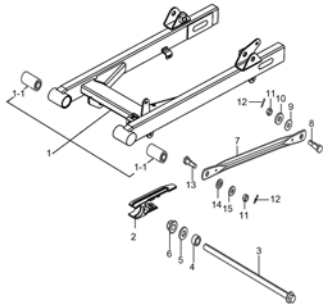


Fig. 42 REARSHOCK ABSORBER
(X03-C450-0007)

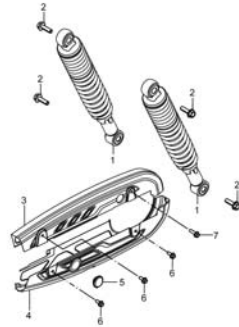


Fig. 43 REAR WHEEL (X03-C460-0006)

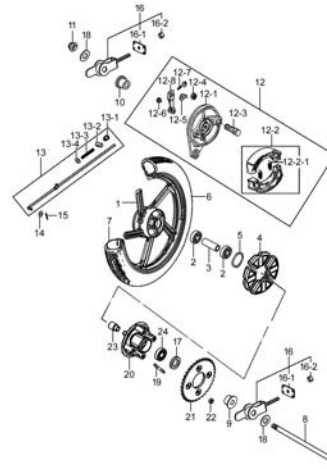


Fig. 44 CARRIER (X03-C480-0010)

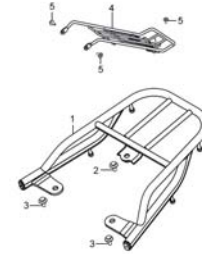


Fig.1

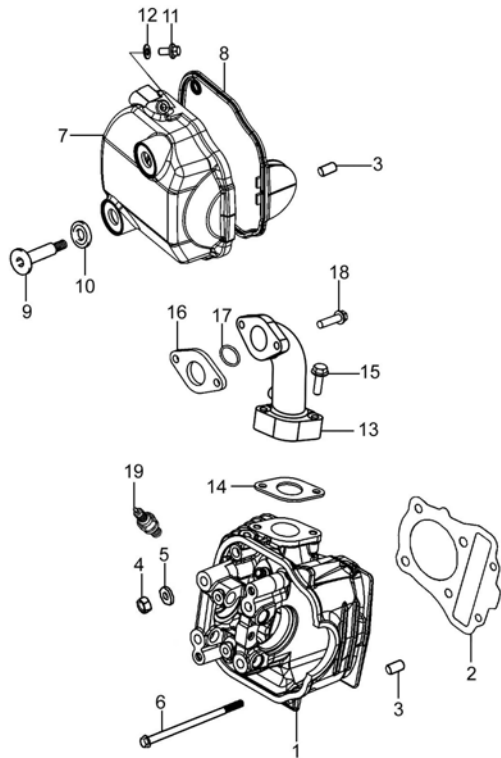


Fig.1 CYLINDER HEAD&CYLINDER HEAD COVER (X03-C010-0004)

REF. No.	PART No.	DESCRIPTION	Q'TY	REMARKS
1	11110H16220H000	HEAD COMP, CYLINDER	1	
2	11141H16200H000	GASKET, CYLINDER HEAD	1	
3	09206H08007H000	PIN, KNOCK	3	
4	09140H07002H000	NUT	4	
5	09160H07003H000	WASHER, PLAIN	4	
6	09103H06003H000	BOLT	2	
7	11171H16201H000	COVER, CYLINDER HEAD	1	
8	11173H16201H000	GASKET, CYL HEAD COVER	1	
9	09119-06120-000	BOLT	2	
10	11191-27E80-000	WASHER, CYL HEAD COVER	2	
11	01547-0612A-000	HEXAGON BOLT WITH FLANGE	1	
12	09161H06002H000	GASKET	1	
13	13111H16220H000	PIPE, INTAKE	1	
14	13121H12000H000	GASKET, INTAKE PIPE	1	
15	01547-0630A-000	BOLT	2	
16	13128H12000H000	INSULATOR, INTAKE PIPE	1	
17	09280H25010H000	O-RING	1	
18	01547-0625A-000	BOLT	2	
19	09482H00004H000	PLUG, SPARK	1	

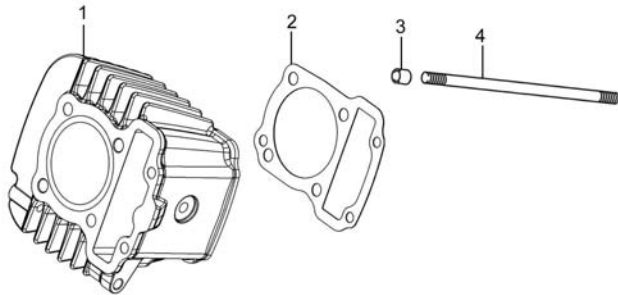
2



Fig. 2

Fig.2 CYLINDER (X03-C020-0001)

REF. No.	PART No.	DESCRIPTION	Q' TY	REMARKS
1	11210H16202H0B0	CYLINDER COMP	1	
2	11241H16200H000	GASKET, CYLINDER	1	
3	09206H08007H000	PIN, KNOCK	2	
4	09108H07001H000	BOLT, STUD	4	



2



Fig. 3

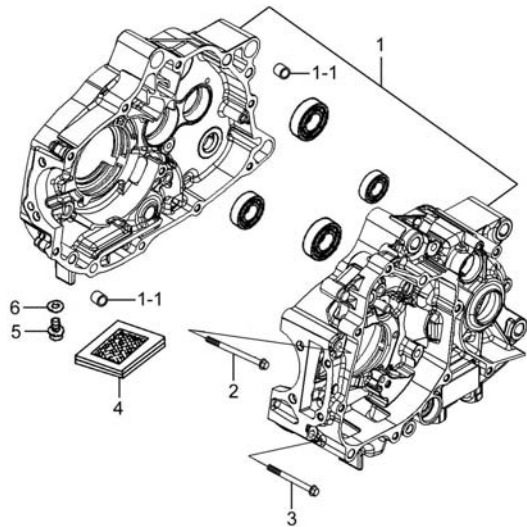


Fig.3 CRANKCASE (X03-C030-0001)

REF. No.	PART No.	DESCRIPTION	Q' TY	REMARKS
1	11300H16Y10H000	CRANKCASE SET	1	
1-1	09206H10007H000	PIN, KNOCK	2	
2	01547-0675A-000	BOLT	1	
3	01547-0660A-000	BOLT	10	
4	16520H12000H000	STRAINER COMP, ENG OIL	1	
5	09247H12001H000	PLUG	1	
6	11522H33000H000	GASKET	1	

2



Fig. 4

2

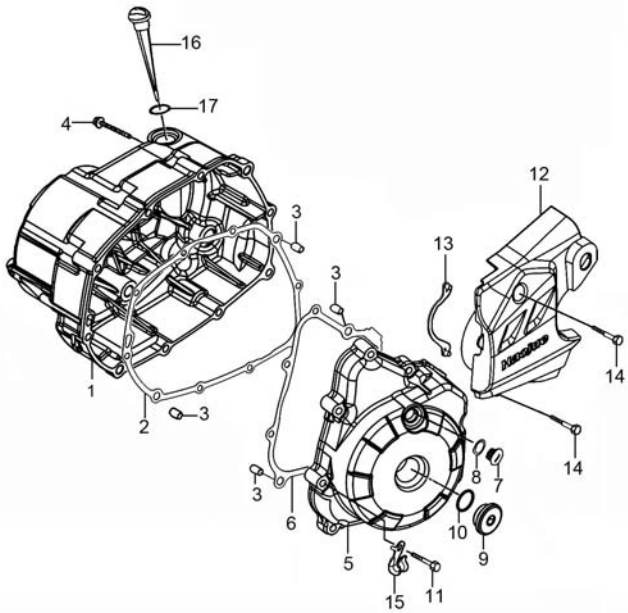


Fig.4 CRANKCASE COVER (X03-C040-0005)

REF. No.	PART No.	DESCRIPTION	Q' TY	REMARKS
1	11340H16220H000	COVER COMP, CLUTCH	1	
2	11482H16200H000	GASKET, CLUTCH COVER	1	
3	09206H08004H000	PIN, KNOCK	4	
4	01547-0640A-000	BOLTS, HEXAGON HEAD FLANGE	10	
5	11351H16220H000	COVER, MAGNETO	1	
6	11483H16200H000	GASKET, MAGNETO COVER	1	
7	11353H12C00H000	PLUG, TIMING OBSERVATION HOLE	1	
8	09280H13010H000	O-RING	1	
9	09259-26023-000	PLUG	1	
10	09280-22008-000	O-RING	1	
11	01547-0635A-000	BOLT	8	
12	11360H16220H000	COVER COMP, ENG SPROCKET	1	
13	11362H16200H000	PLATE, CHAIN	1	
14	01547-0635A-000	BOLT	2	
15	41584H57000H000	GUIDE	1	
16	11971H16201H000	GAUGE, OIL LEVEL	1	
17	09280H18002H000	O RING	1	

Fig. 5

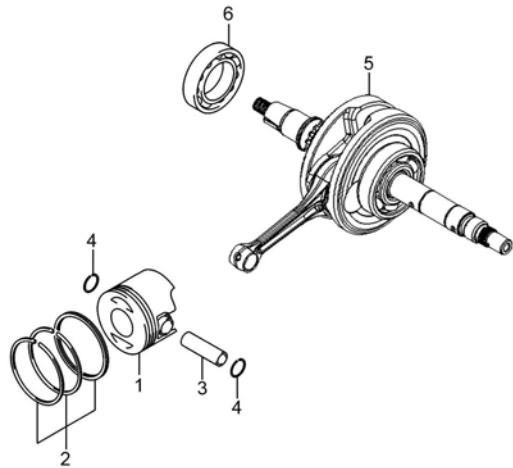


Fig.5 CRANKSHAFT (X03-C050-0002)

REF. No.	PART No.	DESCRIPTION	Q' TY	REMARKS
1	12111H16200H0B0	PISTON	1	
2	12140H16200H000	RING SET, PISTON	1	
3	12151H50100H000	PIN	1	
4	12152H12000H000	WASHER, PISTON PIN BEARING	2	
5	12200H16210H000	CRANKSHAFT ASSY	1	
6	09262H22003H000	BEARING	1	

2



Fig. 6

2

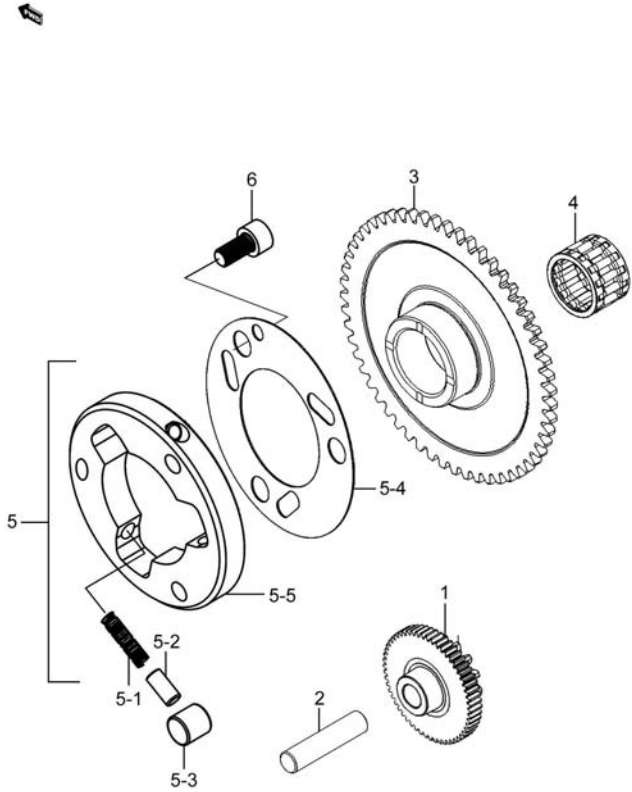


Fig.6 STARTER CLUTCH (X03-C060-0001)

REF. No.	PART No.	DESCRIPTION	Q' TY	REMARKS
1	12651H16200H000	GEAR, STARTER IDLE	1	
2	12612H16200H000	SHAFT, STARTER IDLE GEAR	1	
3	12622H16210H000	GEAR, STARTER CLUTCH	1	
4	09263H21001H000	BEARING, NEEDLE	1	
5	12640H12C00H000	STARTER CLUTCH ASSY	1	
5-1	09440H04001H000	SPRING, COMPRESSION	3	
5-2	12633H12000H000	PIECE, STARTER CLUTCH RLR PUSH	3	
5-3	09261H10003H000	ROLLER	3	
5-4	12649H12C00H000	SHIM, STARTER CLUTCH HUB	1	
5-5	12630H12C00H000	HUB COMP, STARTER CLUTCH	1	
6	32491H33010H000	BOLT, MAGNETO ROTOR	3	

Fig.7

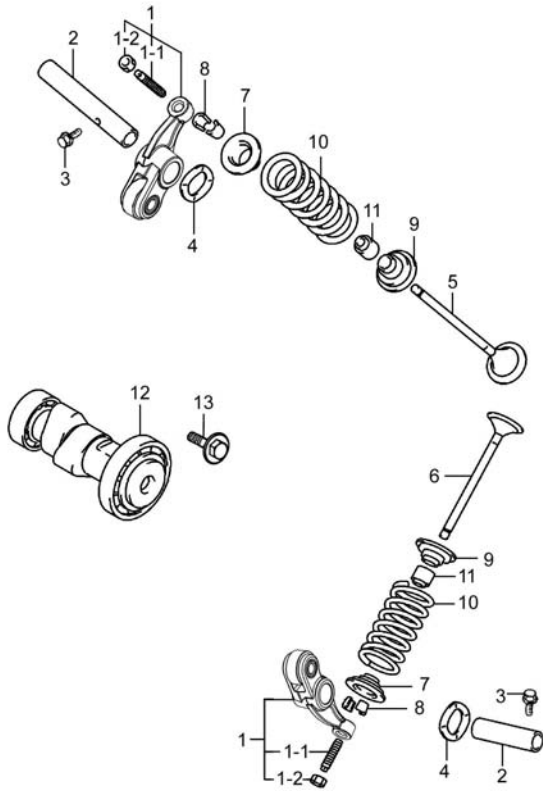


Fig.7 CAMSHAFT-VALVE (X03-C070-0001)

REF. No.	PART No.	DESCRIPTION	Q' TY	REMARKS
1	12840H16200H000	ARM COMP, VALVE ROCKER	2	
1-1	12842H16200H000	SCREW, TAPPET ADJUSTING	1	
1-2	12843H12000H000	NUT, TAPPET ADJUSTING	1	
2	12861H16200H000	SHAFT, VALVE ROCKER ARM	2	
3	09103H05001H000	BOLT	2	
4	09164-10012-000	WASHER, WAVE	2	
5	12911H16200H000	VALVE, INTAKE	1	
6	12912H16200H000	VALVE, EXHAUST	1	
7	12931H12000H000	RETAINER VALVE SPRING	2	
8	12932H50100H000	COTTER VALVE	4	
9	12933H16200H000	SEAT, VALVE SPRING	2	
10	12921H16200H000	SPRING, VALVE	2	
11	09283H10002H000	SEAL, OIL	2	
12	12710H16200H000	CAMSHAFT COMP	1	
13	09116H06004H000	BOLT WITH WASHER	1	

2



Fig. 8

2

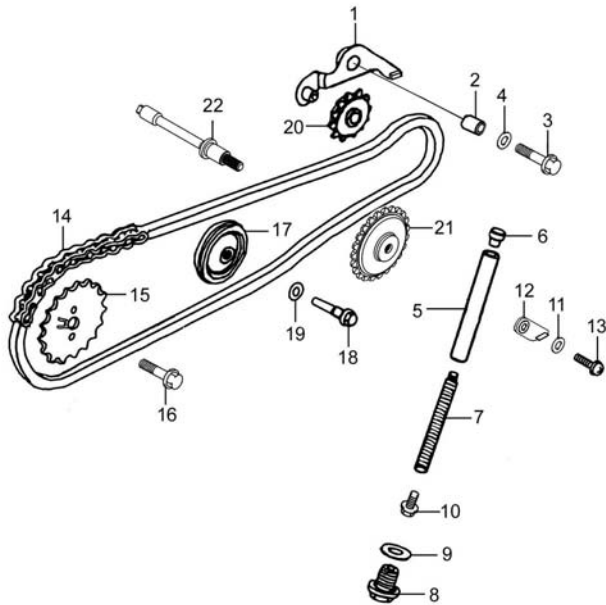


Fig.8 CAM CHAIN (X03-C080-0002)

REF. No.	PART No.	DESCRIPTION	Q' TY	REMARKS
1	12820H16200H000	ARM COMP, ADJUSTER	1	
2	09180H08018H000	SPACER	1	
3	01550-0825A-000	BOLTS, HEXAGON HEAD FLANGE	1	
4	09160H08012H000	WASHER, PLAIN	1	
5	12880H16200H000	ROD COMP, TENSION	1	
6	12882H16200H000	UNION, TENSION ROD	1	
7	12883H16200H000	SPRING, TENSION ROD	1	
8	12884H12010H000	PLUG, TENSION ROD	1	
9	09160H14003H000	WASHER, PLAIN	1	
10	01550-0620A-000	BOLTS, HEXAGON HEAD FLANGE	1	
11	11167H12000H000	WASHER, PLAIN (COPPER)	1	
12	12885H16200H000	RETAINER, TENSION ROD	1	
13	02122-0616A-000	SCREW	1	
14	12760H16200H000	CHAIN COMP, CAMSHAFT DRIVE	1	
15	12741H16200H000	SPROCKET, CAMSHAFT	1	
16	12742H16200H000	BOLT, CAMSHAFT SPROCKET	1	
17	12771H16200H000	WHEEL, GUIDE	1	
18	09135H08008H000	BOLT	1	
19	09160H08009H000	WASHER, PLAIN	1	
20	12810H12030H000	TENSIONER COMP	1	
21	16330H16200H000	GEAR COMP, OIL PUMP DRIVEN	1	
22	21711H16200H000	SHAFT, PILOT	1	



Fig.9

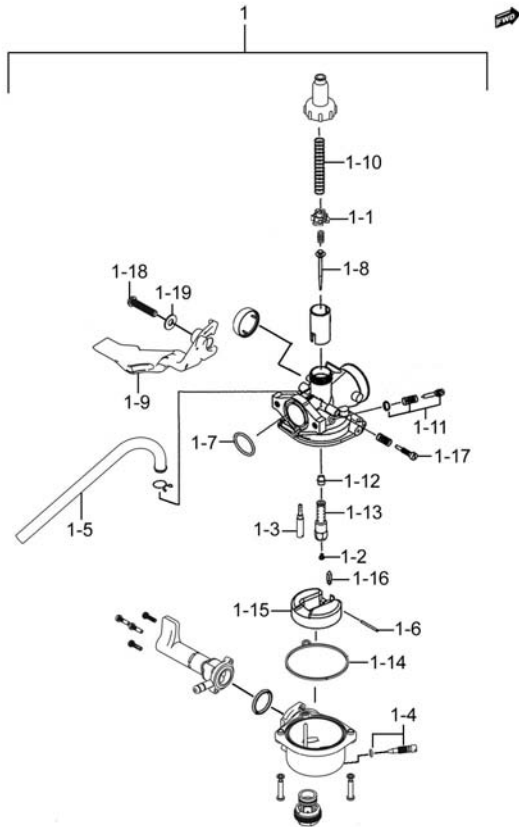


Fig.9 CARBURETOR (X03-C090-0004)

REF. No.	PART No.	DESCRIPTION	Q'TY	REMARKS
1	13200H57020H000	CARBURETOR ASSY	1	
1-1	13389H57000H000	HOLDER	1	
1-2	09491H85050H000	JET, MAIN	1	
1-3	13351H52110H000	JET, PILOT	1	
1-4	13247H57000H000	SCREW, DRAIN	1	
1-5	13684H57020H000	AIR VENT HOSE	1	
1-6	13254H50200H000	FLOAT PIN	1	
1-7	13253H57000H000	O-RING	1	
1-8	13383H57010H000	JET NEEDLE	1	
1-9	13413H57020H000	LEVER ASSY	1	
1-10	13573H57000H000	COMPRESSION SPRING	1	
1-11	13279H57000H000	ADJUSTER	1	
1-12	09494H50200H000	JET, NEEDLE	1	
1-13	13385H57000H000	JET HOLDER	1	
1-14	13251H52100H000	GASKET	1	
1-15	13250H57000H000	FLOAT ASSY	1	
1-16	13370H57000H000	NEEDLE VALVE ASSY	1	
1-17	13267H57000H000	ADJUSTER	1	
1-18	13548H57000H000	SCREW-WASHER	1	
1-19	13382H57000H000	WASHER	1	

2

Fig. 10

2

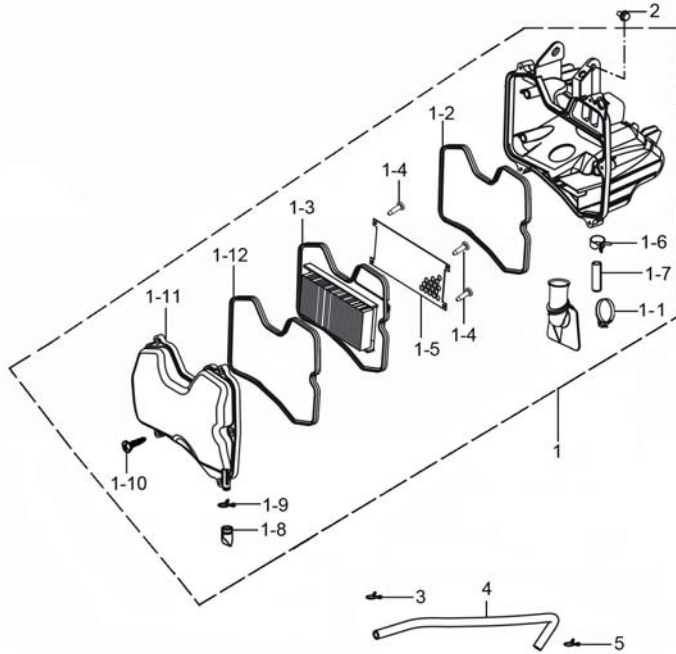


Fig.10 AIR CLEANER (X03-C100-0001)

REF. No.	PART No.	DESCRIPTION	Q' TY	REMARKS
1	13700H57000H000	CLEANER ASSY, AIR	1	
1-1	13170H57000H000	CLAMP, OUTLET TUBE	1	
1-2	13724H57000H000	GASKET, AIR CLNR CAP, NO. 2	1	
1-3	13790H57000H000	HOLDER COMP, FILTER	1	
1-4	03541-0416A-000	CROSS RECESSED HEAD TAPPING SCREW	4	
1-5	13810H57100H000	TRAP COMP, FLAME	1	
1-6	09401H14401H000	CLIP	1	
1-7	13878H52100H000	TUBE, DRAIN	1	
1-8	13722H51301H000	DUST CLEANER	1	
1-9	09401H12101H000	CLIP	1	
1-10	03541-0525A-000	CROSS RECESSED HEAD TAPPING SCREW	6	
1-11	13741H57000H000	CAP, AIR CLNR	1	
1-12	13723H57000H000	GASKET, AIR CLNR CAP, NO. 1	1	
2	01550-0612A-000	BOLT	2	
3	09401-12403-000	CLAMP	1	
4	13851H57000H000	TUBE, BREATHER	1	
5	09401H10301H000	CLIP	1	

Fig. 11

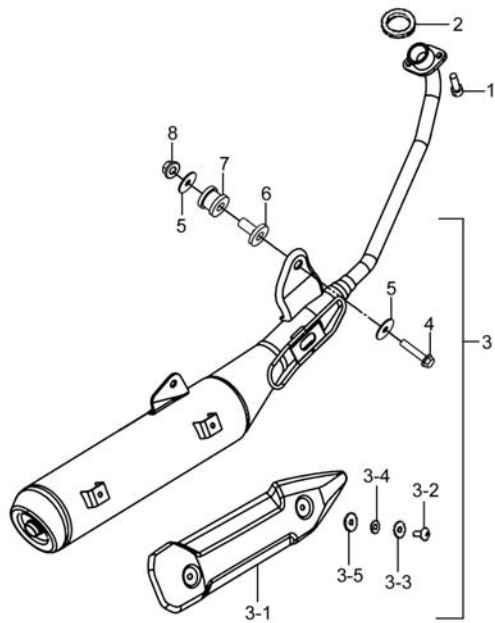


Fig.11 MUFFLER (X03-C110-0007)

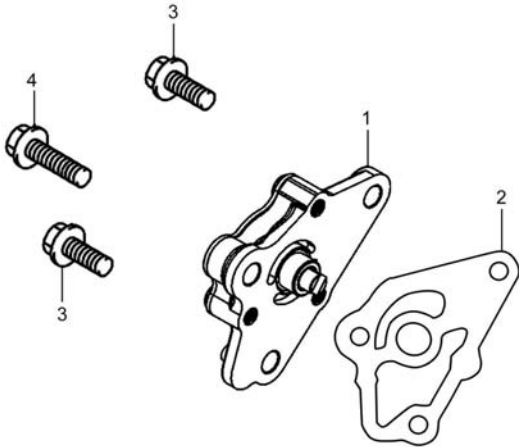
REF. No.	PART No.	DESCRIPTION	Q'TY	REMARKS
1	07130-0835A-000	HEXAGON SOCKET HEAD CAP SCREW	2	
2	14181-09D20-000	GASKET, EXH PIPE	1	
3	14036H5A000H000	MUFFLER SET	1	
3-1	14781H5A000H000	COVER, MUF	1	
3-2	09139-06167-000	SCREW	2	
3-3	09160-06164-000	WASHER, PLAIN	2	
3-4	09161H06004H000	WASHER	2	
3-5	09168H06002H000	GASKET	2	
4	01550-0845A-000	BOLT	1	
5	09160H08012H000	WASHER, PLAIN	2	
6	14413H57000H000	SPACER	1	
7	14414H57001H000	CUSHION	1	
8	08316-1008A-000	HEXAGON FLANGE NUT	1	

2

Fig. 12

Fig.12 OIL PUMP (X03-C130-0001)

REF. No.	PART No.	DESCRIPTION	Q' TY	REMARKS
1	16400H16200H000	PUMP ASSY, ENG OIL	1	
2	16731H12000H000	GASKET, OIL PUMP	1	
3	01547-0616A-000	BOLT	2	
4	01547-0625A-000	BOLT	1	



2

Fig. 13

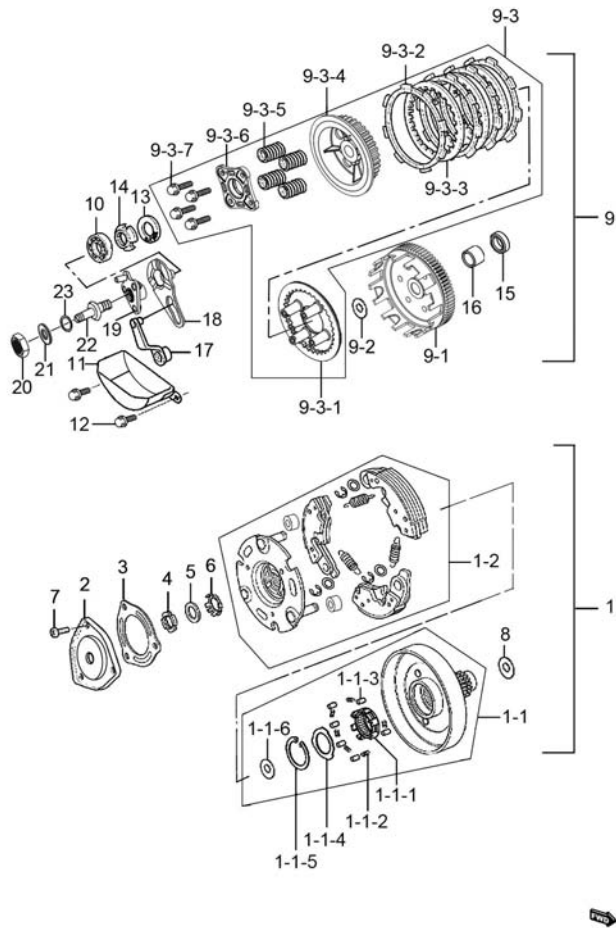


Fig.13 CLUTCH (X03-C140-0002)

REF. No.	PART No.	DESCRIPTION	Q'TY	REMARKS
1	21300H16210H000	CLUTCH ASSY, PRIMARY	1	
1-1	21100H16210H000	HOUSING ASSY, PRIMARY CLUTCH	1	
1-1-1	21631H16210H000	RACE, ONE WAY CLUTCH INNER	1	
1-1-2	21535H16200H000	SPRING, SIMPLEX FIXING	6	
1-1-3	21543H16200H000	ROLLER, PRINMARY CLUTCH	6	
1-1-4	21544H16200H000	CLIP	1	
1-1-5	21544H16210H000	CLIP	1	
1-1-6	21252H16210H000	WASHER, THRUST	1	
1-2	21501H16210H000	CLUTCH ASSY, SHOE	1	
2	21344H13010H000	COVER, PRIMARY CLUTCH	1	
3	21345H13010H000	GASKET, PRIMARY CLUTCH	1	
4	21533H12000H000	NUT, ROUND	1	
5	21529H12000H000	WASHER, DISH	1	
6	21348H13010H000	WASHER, THRUST	1	
7	02112-0508A-000	CROSS RECESSED HEAD SCREW	3	
8	21528H16200H000	WASHER, THRUST	1	
9	21400H16200H000	CLUTCH ASSY, GEAR SHIFT	1	
9-1	21210H16200H000	GEAR COMP, PRIMARY DRIVEN	1	
9-2	21481H16200H000	WASHER, CLUTCH SLEEVE HUB	1	
9-3	21410H16200H000	HUB COMP, CLUTCH SLEEVE	1	
9-3-1	21462H16200H000	DISC, CLUTCH PRESSURE	1	
9-3-2	21441H16210H000	PLATE, CLUTCH DRIVE	4	
9-3-3	21451H16200H000	PLATE, CLUTCH DRIVEN	3	
9-3-4	21411H16200H000	HUB, CLUTCH SLEEVE	1	
9-3-5	21413H16200H000	SPRING, CLUTCH	4	
9-3-6	21471H16200H000	PLATE, CLUTCH PUSH ROD	1	
9-3-7	01550-0625A-000	BOLT	4	
10	21527H16200H000	BEARING	1	
11	13851H13010H000	OIL BOX	1	

2

Fig. 13

2

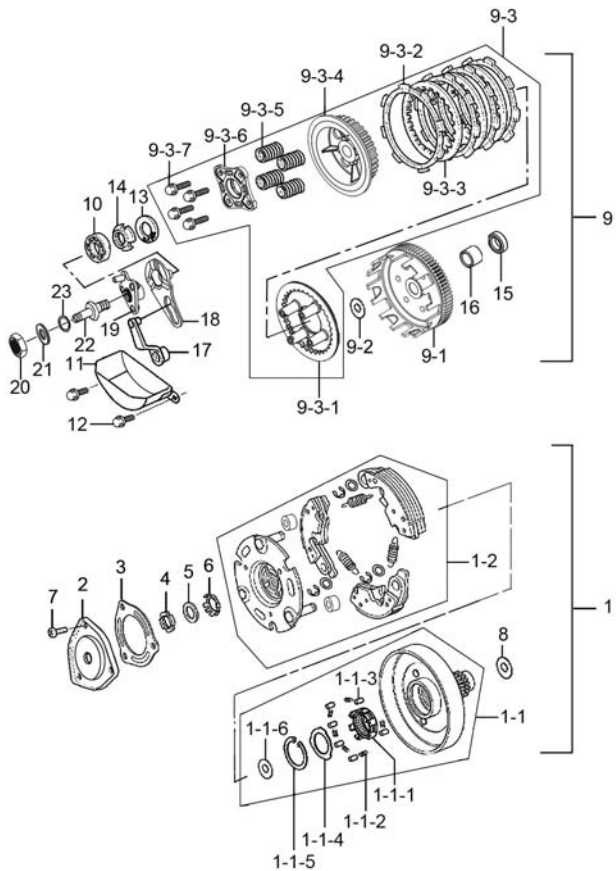


Fig.13 CLUTCH (X03-C140-0002)

REF. No.	PART No.	DESCRIPTION	Q' TY	REMARKS
12	01547-0612A-000	HEXAGON BOLT WITH FLANGE	2	
13	21324H16200H000	WASHER	1	
14	21644H13010H000	NUT, LOCK	1	
15	09180H17004H000	SPACER	1	
16	21643H16200H000	BUSH	1	
17	23260H16200H000	ARM COMP. CONTROL	1	
18	23211H16220H000	GUIDE, RELEASE BALL INNER	1	
19	23230H16220H000	GUIDE ASSY, RELEASE BALL, OUTER	1	
20	21655H13001H000	NUT, TENSION	1	
21	09160H08002H000	WASHER, PLAIN	1	
22	23268H12C00H000	SCREW, CLUTCH ADJUSTING	1	
23	09280H08010H000	O-RING	1	

Fig. 14

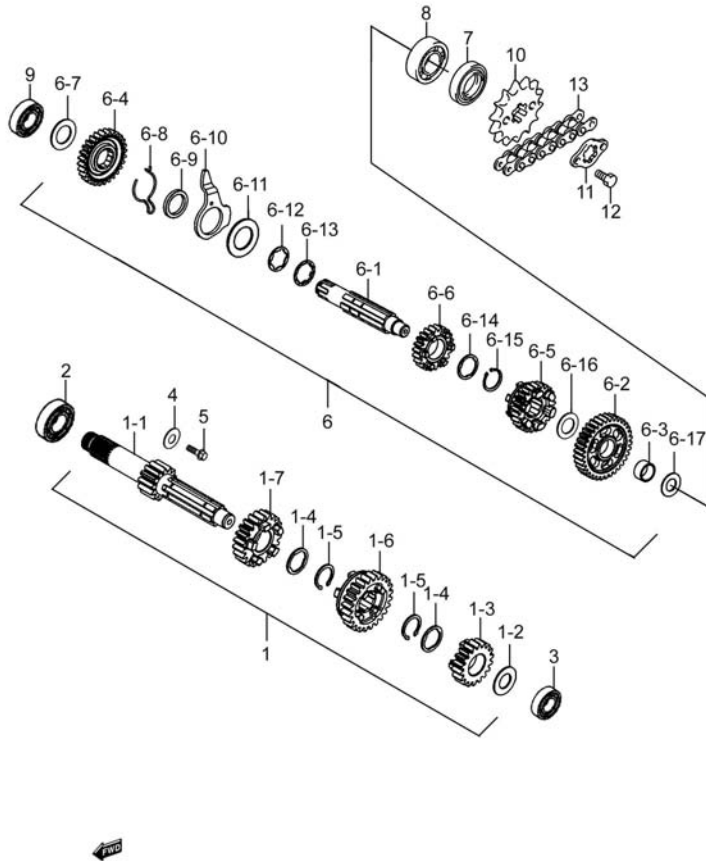


Fig.14 TRANSMISSION (X03-C150-0002)

REF. No.	PART No.	DESCRIPTION	Q' TY	REMARKS
1	24102H16200H000	SHAFT ASSY, COUNTER	1	
1-1	24121H16200H000	SHAFT, COUNTER	1	
1-2	24153H16200H000	WASHER	1	
1-3	24221H16200H000	GEAR, 2ND DRIVE	1	
1-4	24148H16200H000	WASHER, SPL INE	2	
1-5	24149H16200H000	CLIP	2	
1-6	24241H16200H000	GEAR, 4TH DRIVE	1	
1-7	24231H16200H000	GEAR, 3RD DRIVE	1	
2	09262H17015H000	BEARING	1	
3	08110-60010-000	BEARING, CLUTCH	1	
4	24741H16200H000	RETAINER, CNTR SHAFT BEARING	2	
5	01550-0612A-000	BOLT	2	
6	24103H16200H000	SHAFT ASSY, DRIVE	1	
6-1	24131H16200H000	SHAFT, DRIVE	1	
6-2	24311H16200H000	GEAR, 1ST DRIVEN	1	
6-3	24156H16200H000	BUSH	1	
6-4	24321H16200H000	GEAR, 2ND DRIVEN	1	
6-5	24331H16200H000	GEAR, 3RD DRIVEN	1	
6-6	24341H16200H000	GEAR, 4TH DRIVEN	1	
6-7	24153H16240H000	WASHER	1	
6-8	24158H16200H000	SPRING, STOPPING	1	
6-9	24156H16210H000	BUSH	1	
6-10	24159H16200H000	PLATE, GUIDE	1	
6-11	24153H16230H000	WASHER	1	
6-12	24232H16210H000	WASHER	1	
6-13	24232H16200H000	WASHER	1	
6-14	24232H16220H000	WASHER	1	
6-15	24129H16200H000	CLIP, ELASTIC	1	
6-16	24153H16210H000	WASHER	1	

2

Fig. 14

2

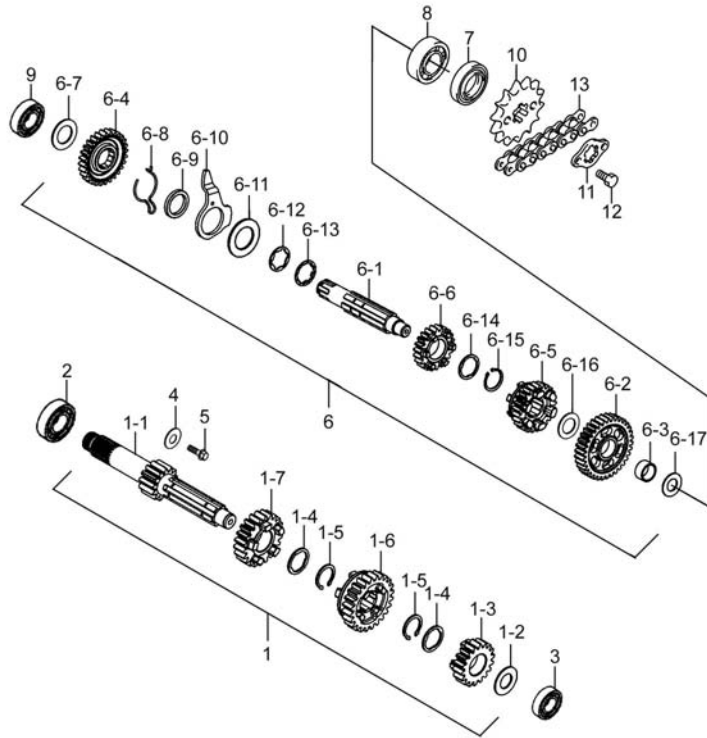


Fig.14 TRANSMISSION (X03-C150-0002)

REF. No.	PART No.	DESCRIPTION	Q' TY	REMARKS
6-17	24153H16200H000	WASHER	1	
7	09283H17002H000	SEAL, OIL	1	
8	09262H17015H000	BEARING	1	
9	21645H12020H000	BEARING	1	
10	27511H16200H000	SPROCKET, ENGINE	1	
11	27512H12000H000	PLATE, ENGINE SPROCKET	1	
12	09100H06002H000	BOLT, HEXAGON	2	
13	27600H16210H100	CHAIN ASSY, DRIVE	1	

Fig. 15

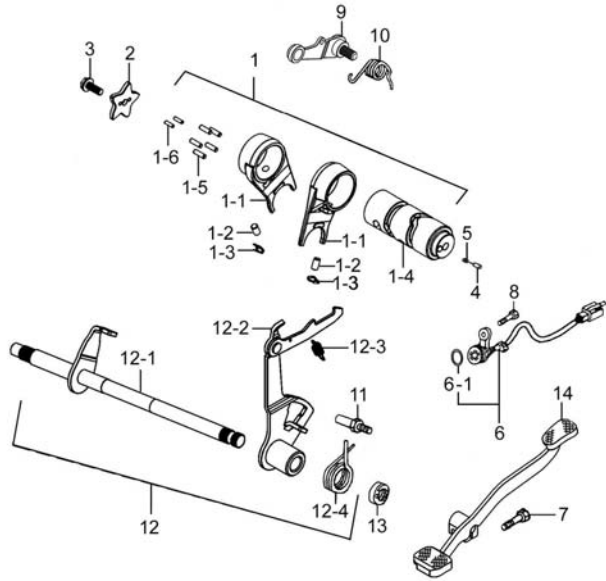


Fig.15 GEAR SHIFTING (X03-C160-0001)

REF. No.	PART No.	DESCRIPTION	Q'TY	REMARKS
1	25031H1620AH000	CAM SET, GEAR SHIFT	1	
1-1	25211H16200H000	FORK, GEAR SHIFT	2	
1-2	25212H12000H000	PIN, FORK	2	
1-3	25213H16200H000	CLAMP, SPRING	2	
1-4	25311H16201H000	CAM, GEAR SHIFT	1	
1-5	25329H16200H000	PIN, GEAR SHIFT	5	
1-6	25335H16200H000	PIN, GEAR SHIFT FIVE-STAR WHEEL	2	
2	25381H16200H000	PLATE, SHIFT CAM STOPPER	1	
3	25312H12010H000	BOLT, GEAR SHIFT CAM STOPPER PLATE	1	
4	25314H16200H000	PIN, CAM SHIFT	1	
5	09440H04016H000	SPRING, COMPRESSION	1	
6	37072H16210H000	HOSE SET, BREATHER	1	
6-1	09280H21001H000	O-RING	1	
7	01500-0620A-000	BOLT	1	
8	01547-0618A-000	BOLTS, HEXAGON HEAD FLANGE	1	
9	25350H16200H000	STOPPER COMP, GEAR SHIFT CAM	1	
10	25339H16200H000	SPRING, GEAR SHIFT LOCATING PLATE	1	
11	25357H12000H000	BOLT, CAM STOPPER ARM	1	
12	25500H16200H000	SHAFT ASSY, GEAR SHIFT	1	
12-1	25510H16200H000	SHAFT COMP, GEAR SHIFT	1	
12-2	25520H16200H000	ARM COMP, GEAR SHIFT LINK	1	
12-3	25559H16200H000	SPRING, RELEASE	1	
12-4	25556H16200H000	SPRING	1	
13	09285H12003H000	SEAL, OIL	1	
14	25600H16200H000	LEVER ASSY, GEAR SHIFT	1	

2



Fig. 16

2

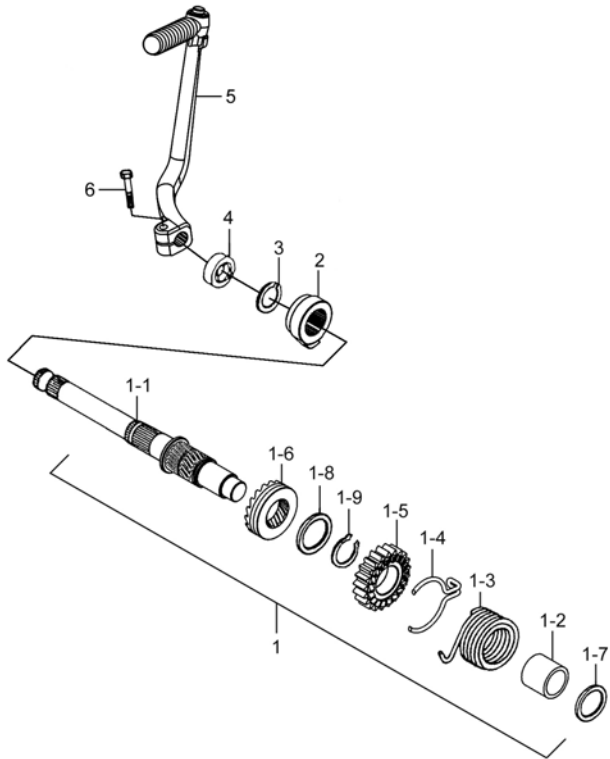


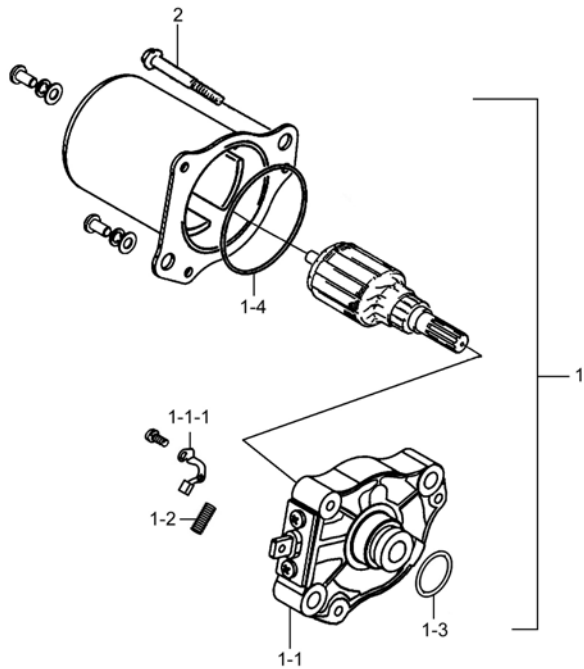
Fig.16 KICK STARTER (X03-C165-0002)

REF. No.	PART No.	DESCRIPTION	Q' TY	REMARKS
1	26210H16200H000	SHAFT COMP, KICK STARTER	1	
1-1	26211H16200H000	SHAFT, KICK STARTER	1	
1-2	26221H16200H000	GUIDE, KICK STARTER SHAFT SPRIN	1	
1-3	26226H16200H000	SPRING, RELEASE	1	
1-4	26235H16200H000	SPRING, KICK STARTER IDLE FRICTION	1	
1-5	26241H16200H000	GEAR, KICK STARTER DRIVE	1	
1-6	26282H16200H000	RATCHET, KICK STARTER DRIVEN GR	1	
1-7	09181H14003H000	SHIM	1	
1-8	09181H20002H000	SHIM	1	
1-9	08331-31209-000	CIRCLIP	2	
2	26225H16200H000	SEAT, RELEASE SPRING	1	
3	24149H12020H000	CLIP	1	
4	09285H13010H000	SEAL, OIL	1	
5	26300H16200H000	LEVER ASSY, KICK STARTER	1	
6	01500-0825A-000	BOLTS, HEXAGON HEAD	1	

Fig. 17

Fig.17 STARTING MOTOR (X03-C170-0001)

REF. No.	PART No.	DESCRIPTION	Q' TY	REMARKS
1	31100H16201H000	MOTOR ASSY, STARTING	1	
1-1	31150H16200H000	COVER ASSY, FRONT	1	
1-1-1	31133H16200H000	BRUSH, STARTER MOTOR, MINUS	1	
1-2	31135H16200H000	SPRING, STARTER MOTOR BRUSH	2	
1-3	31156H16200H000	O-RING	1	
1-4	31156H16210H000	O-RING	1	
2	09103H06013H000	BOLT	3	



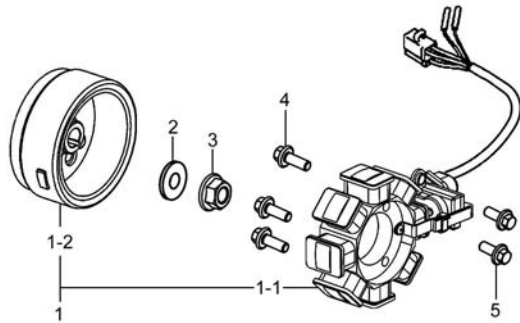
3



Fig. 18

Fig.18 MAGNETO (X03-C180-0001)

REF. No.	PART No.	DESCRIPTION	Q' TY	REMARKS
1	32100H16201H000	MAGNETO ASSY	1	
1-1	32101H16201H000	STATOR ASSY	1	
1-2	32102H16200H000	ROTOR ASSY	1	
2	32113H35000H000	WASHER	1	
3	32114H12000H000	NUT, MAGNETO	1	
4	01547-0625A-000	BOLT	3	
5	01547-0616A-000	BOLT	2	



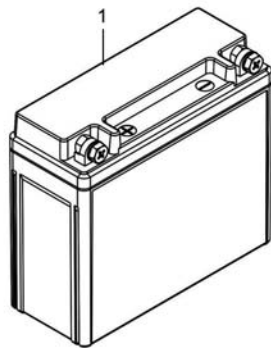
3



Fig. 19

Fig.19 BATTERY (X03-C190-0002)

REF. No.	PART No.	DESCRIPTION	Q'TY	REMARKS
1	33620H51051H000	FILLED BATTERY ASSY	1	



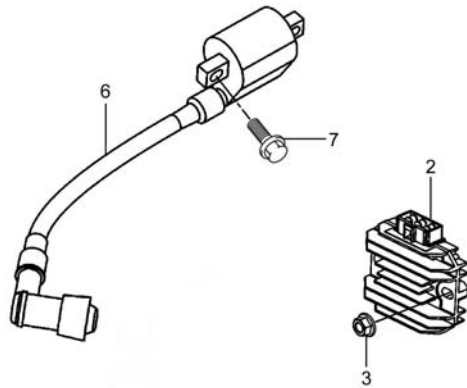
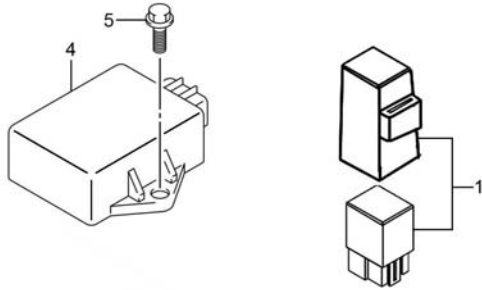
3



Fig. 20

Fig.20 ELECTRICAL (X03-C200-0001)

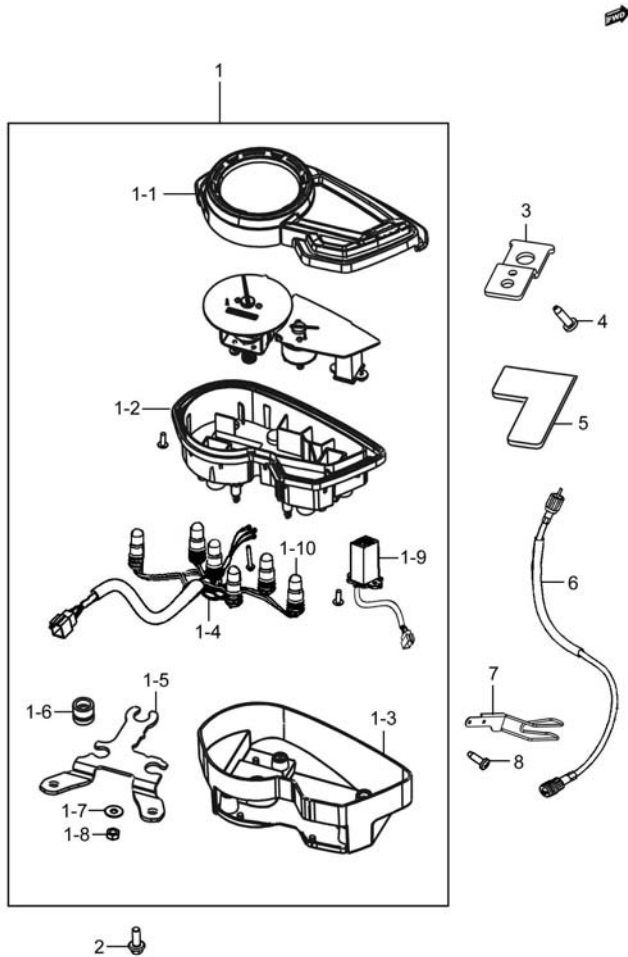
REF. No.	PART No.	DESCRIPTION	Q' TY	REMARKS
1	31800H50000H000	RELAY ASSY, STARTINGMOTOR	1	
2	32800H51001H000	RECTIFIER ASSY	1	
3	08316-1006B-000	NUT	2	
4	32900H57000H000	CDI UNIT	1	
5	01550-0616B-000	BOLT	2	
6	33410H57000H000	COIL ASSY, IGNITION	1	
7	01550-0520A-000	BOLTS, HEXAGON HEAD FLANGE	2	



3

Fig. 21

Fig.21 SPEEDOMETER (X03-C210-0005)



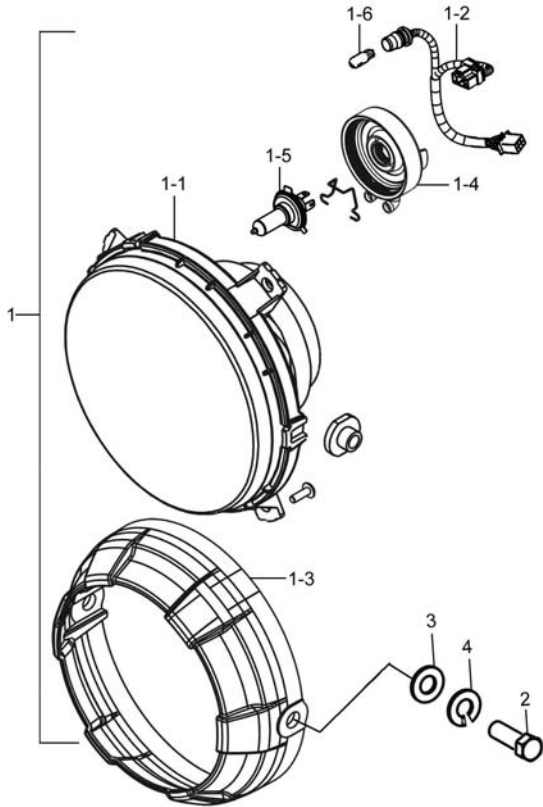
REF. No.	PART No.	DESCRIPTION	Q'TY	REMARKS
1	34100H5A000H000	SPEEDOMETER ASSY	1	
1-1	34150H5A000H000	HOOD, SPEEDOMETER	1	
1-2	34111H5A000H000	CASE, SPEEDOMETER, LOWER	1	
1-3	34152H5A000H000	LOW CASE, SPEEDOMETER	1	
1-4	34173H5A000H000	WIRE HARNESS, SPEEDOMETER	1	
1-5	34950H5A000H000	BRACKET, METER	1	
1-6	34955H5A000H000	CUSHION, SPEEDOMETER	3	
1-7	34137H5A000H000	WASHER, METER	3	
1-8	34185H5A000H000	NUT, SPEEDOMETER	3	
1-9	34500H5A000H000	ASSY, GEAR SHIFT DISPLAY	1	
1-10	09471-12077-000	BULB	6	T10 12V 2W
2	01550-0812A-000	HEXAGON BOLT WITH FLANGE	2	
3	36656H5A010H000	BRACKET, WIRING HARNESS	1	
4	03541-0516B-000	SCREW	1	
5	34181H5A001H000	PROTECTOR, SPEEDOMETER	1	
6	34910H5A000H000	CABLE ASSY, SPEEDOMETER	1	
7	34938H5A000H000	GUIDE, SPEEDOMETER CABLE	1	
8	01547-0612B-000	BOLT	2	

3

Fig. 22

Fig.22 HEADLAMP (X03-C220-0003)

REF. No.	PART No.	DESCRIPTION	Q' TY	REMARKS
1	35100H5A000H000	HEADLAMP ASSY	1	
1-1	35121H5A000H000	UNIT, HEADLAMP	1	
1-2	35171H5A000H000	CORD, HEADLAMP	1	
1-3	35111H5A000H000	RIM, HEADLAMP	1	
1-4	35174H5A000H000	BOOT, HEADLAMP HOUSING	1	
1-5	09471H12001H000	BULB (12V, 35/35W)	1	HS1 12V 35/35W
1-6	09471H12081H000	BULB	1	12V W5W
2	01204-08207-000	BOLT	2	
3	08322-01087-000	PLATE WASHER	2	
4	08321-01087-000	WASHER	2	



3

Fig. 23

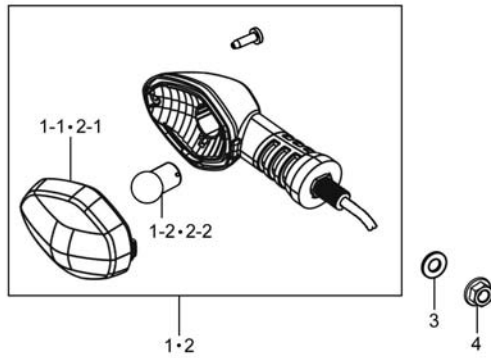
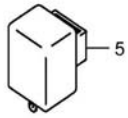


Fig.23 TURN SIGNAL LAMP (X03-C230-0005)

REF. No.	PART No.	DESCRIPTION	Q'TY	REMARKS
1	35601H5A000H000	LAMP ASSY, FRONT TURNSIGNAL, R	1	
1-1	35612H5A000H000	LENS, FRONT TURNSIGNAL, R	1	
1-2	09471H12019H000	BULB (12V, 10W)	1	12V RY10W
2	35602H5A000H000	LAMP ASSY, FRONT TURNSIGNAL, L	1	
2-1	35632H5A000H000	LENS, FRONT TURNSIGNAL, L	1	
2-2	09471H12019H000	BULB (12V, 10W)	1	12V RY10W
3	09160-10040-000	WASHER, PLAIN	2	
4	08316-1010A-000	NUT	2	
5	38610-20K01-000	RELAY ASSY, TURNSIGNAL	1	

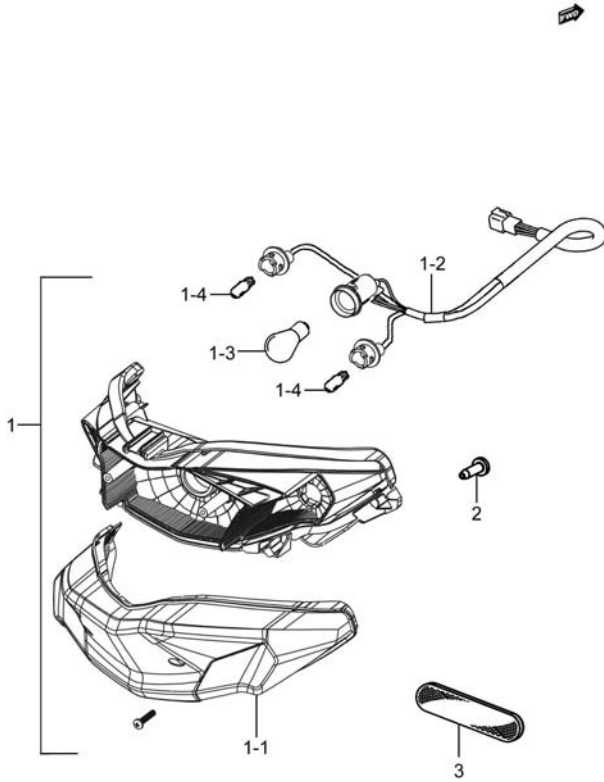
3



Fig. 24

Fig.24 REAR COMBINATION LAMP (X03-C240-0005)

REF. No.	PART No.	DESCRIPTION	Q' TY	REMARKS
1	35710H5A000H000	LAMP ASSY, REAR COMB	1	
1-1	35712H5A000H000	LENS, REAR COMB	1	
1-2	35718H5A000H000	CORD COMP, REAR COMB	1	
1-3	09471-12128-000	BULB (12V, 21/5W)	1	12V P21/5W
1-4	09471H12027H000	BULB	2	12V WY10W
2	03541-0516B-000	SCREW	6	
3	35970H2C001H000	REFLEX REFLECTOR ASSY, REAR	1	



3

Fig. 25

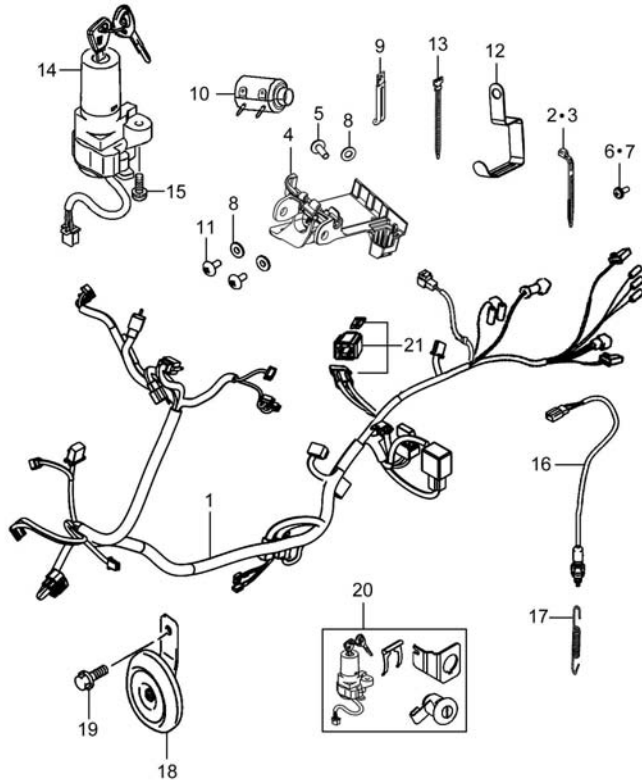


Fig.25 WIRING HARNESS (X03-C250-0009)

REF. No.	PART No.	DESCRIPTION	Q'TY	REMARKS
1	36610H5A001H000	HARNESS WIRING	1	
2	09407-14403-000	CLAMP, FUEL HOSE	1	L=125
3	09407-25401-000	CLAMP, WIRING HARNESS	1	L=235
4	36656H5A000H000	BRACKET, WIRING HARNESS	1	
5	09139-06167-000	SCREW	1	
6	02112-3408A-000	CROSS RECESSED HEAD SCREW	1	M4*8
7	02112-3510A-000	CROSS RECESSED HEAD SCREW	1	M5*10
8	09169-06071-000	WASHER, FRONT LEG SHIELD	3	
9	36651-45F40-000	CLAMP, WIRING HARNESS	2	L=155
10	36618H79201H000	BOOT, WIRING HARNESS	2	OD=50
11	02142-0616B-000	SCREW	2	
12	36651-26H50-000	CLAMP, WIRING HARNESS	1	
13	09407-12402-000	CLAMP, WIRING HARNESS	2	L=128
14	37100H36700H000	LOCK ASSY, STEERING	1	
15	02112-3620A-000	CROSS RECESSED HEAD SCREW	2	
16	37740H57000H000	SWITCH ASSY, STOP LAMP	1	
17	43115H57000H000	SPRING, STOP LAMP	1	
18	38500H5A000H000	HORN ASSY	1	
19	01550-0612A-000	BOLT	1	
20	37011H5A000H000	LOCK SET	1	
21	36740-37G10-000	CASE ASSY, FUSE	1	

3

Fig. 26

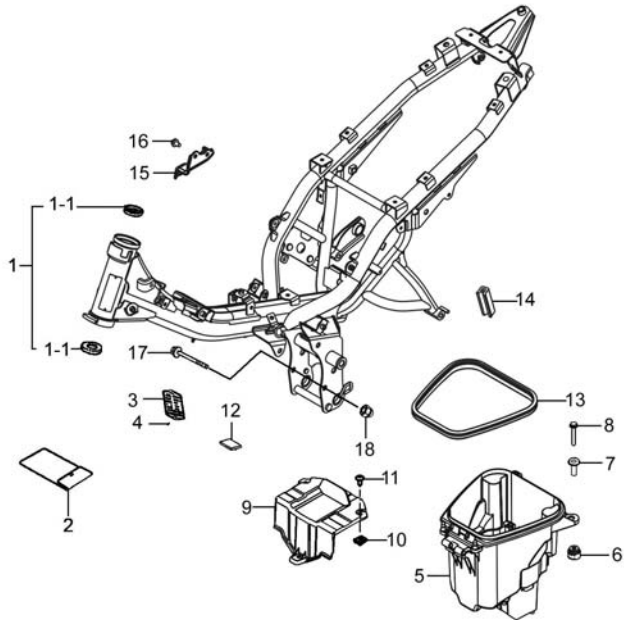


Fig.26 FRAME (X03-C260-0007)

REF. No.	PART No.	DESCRIPTION	Q' TY	REMARKS
1	41100H5AY10H000	FRAME SET	1	
1-1	51612H2A200H000	RACE, STEERING INNER LOWER	2	
2	09800H20015H000	TOOL ASSY	1	
3	68311H57010H000	PLATE, LICENSE	1	
4	68389-45F00-000	RIVET	2	
5	92211H5A000H000	BOX, LUGGAGE	1	
6	92216H5A000H000	CUSHION, HELMET BOX	3	
7	09180H06023H000	SPACER	3	
8	01547-0630A-000	BOLT	3	
9	92213H5A000H000	COVER, HELMET BOX	1	
10	09148-05L08-000	NUT	3	
11	03241-0516B-000	SCREW	3	
12	92116H57000H000	CUSHION, FRONT BOX	1	
13	45211H5A000H000	MOLDING, SEAT	1	
14	45281H5A000H000	PROTECTOR, SEAT LOCK CABLE	1	
15	41893H5A000HN00	PLATE COMP, IGNITION COIL	1	
16	09103H06078H000	BOLT	2	
17	09103-10070-000	BOLT	3	
18	08319-3110A-000	NUT	3	

4

Fig. 27

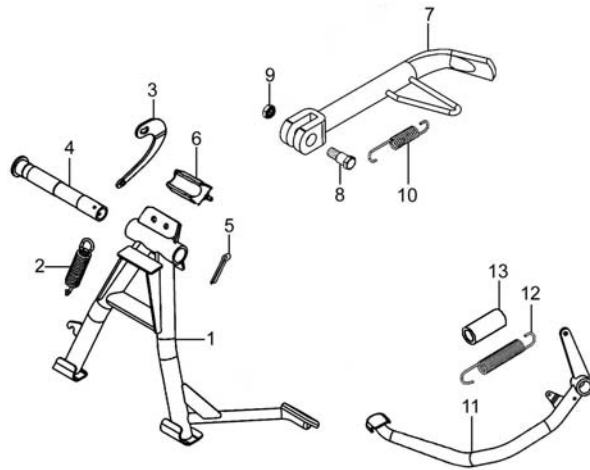


Fig.27 STAND (X03-C270-0002)

REF. No.	PART No.	DESCRIPTION	Q'TY	REMARKS
1	42100H5D000H000	STAND COMP, CENTER	1	
2	09443H16005H000	SPRING, TENSION	1	
3	42112H57001H000	SPRING PLATE, CENTER STAND	1	
4	42211H57000H000	SHAFT, CENTER STAND	1	
5	04111-3028A-000	COTTER PIN	1	
6	42181H50002H000	CUSHION	1	
7	42310H5D000H000	STAND COMP, PROP	1	
8	42551H50000H000	BOLT	1	
9	09140-10043-000	NUT, PROP STAND	1	
10	09443H15204H000	SPRING, TENSION	1	
11	43110H57000H000	PEDAL COMP, BRAKE	1	
12	09443H14005H000	SPRING, TENSION	1	
13	43142H21302H000	HOSE, RUBBER	1	

4



Fig. 28

Fig.28 FOOTREST (X03-C280-0005)

REF. No.	PART No.	DESCRIPTION	Q' TY	REMARKS
1	43510H5D001H000	BAR COMP, FRONT FOOTREST	1	
2	01550-0816A-000	HEXAGON BOLT WITH FLANGE	4	
3	43551H57000H000	RUBBER, FRONT FOOTREST	2	
4	43700H57000H000	FOOTREST ASSY, PILLION, L	1	
4-1	43710H57010H000	BAR COMP, PILLION FOOTREST, L	1	
4-2	43612H57000H000	RUBBER, PILLION FOOTREST	1	
4-3	43631H52100H000	WASHER, FOOTREST RUBBER	1	
4-4	04111-2015A-000	COTTER PIN	1	
4-5	43617H57000H000	PLATE, PILLION FOOTREST	1	
4-6	43621H2A200H000	HOLDER, PILLION FOOTREST	1	
4-7	09200H06004H000	PIN WITH HOLE	1	
4-8	01500-0610A-000	BOLT	1	
5	43600H57000H000	FOOTREST ASSY, PILLION, R	1	
5-1	43610H57010H000	BAR COMP, PILLION FOOTREST, R	1	
5-2	43612H57000H000	RUBBER, PILLION FOOTREST	1	
5-3	43631H52100H000	WASHER, FOOTREST RUBBER	1	
5-4	04111-2015A-000	COTTER PIN	1	
5-5	43617H57000H000	PLATE, PILLION FOOTREST	1	
5-6	43621H2A200H000	HOLDER, PILLION FOOTREST	1	
5-7	09200H06004H000	PIN WITH HOLE	1	
5-8	01500-0610A-000	BOLT	1	
6	01550-1035B-000	BOLT	2	
7	43811H5A000H000	COVER, FOOTREST SPRT TUBE, R	1	
8	43821H5A000H000	COVER, FOOTREST SPRT TUBE, L	1	
9	43813H2E000H000	SPACER, FOOTREST SPRT COVER	2	

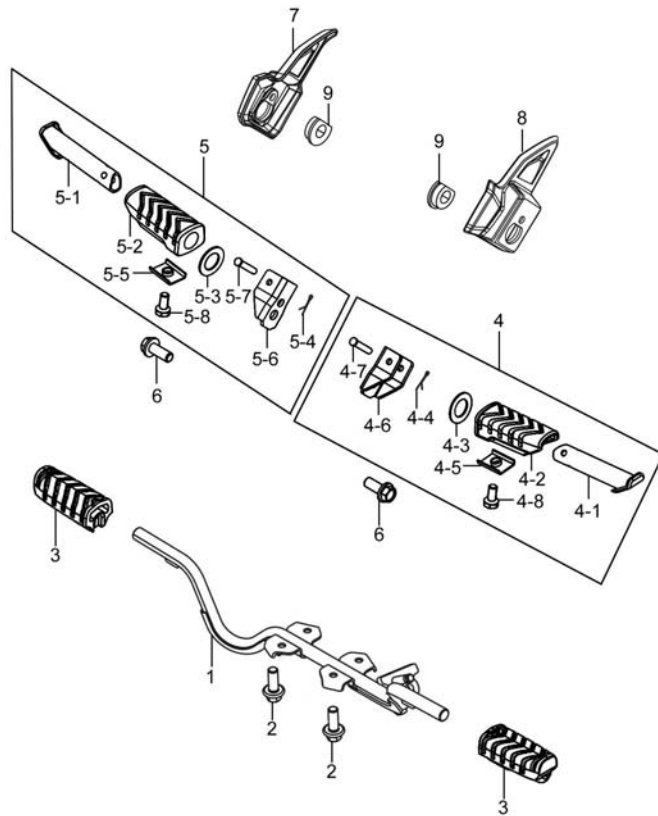
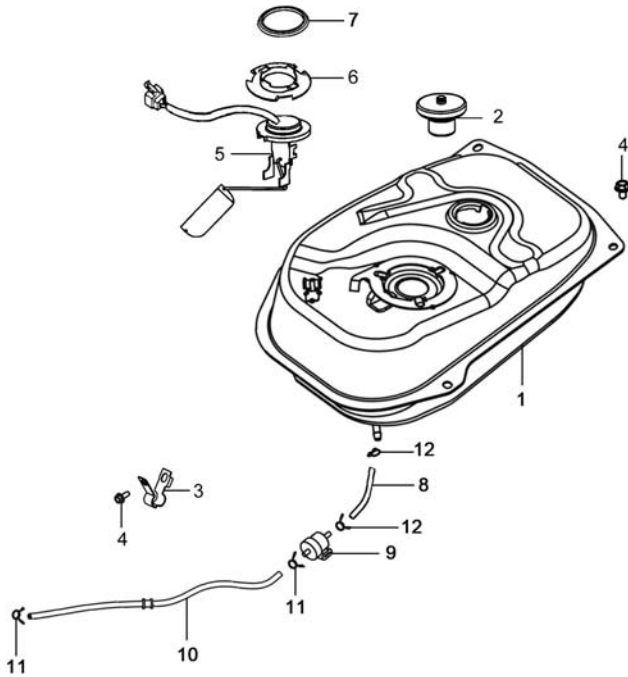


Fig. 29

Fig.29 FUEL TANK (X03-C290-0005)

REF. No.	PART No.	DESCRIPTION	Q'TY	REMARKS
1	44110H5A000H000	TANK COMP, FUEL	1	
2	44200H51020H000	CAP ASSY, FUEL TANK	1	
3	41391H57100H000	BRACKET, FUEL HOSE	1	
4	01550-0610A-000	BOLTS, HEXAGON HEAD FLANGE	5	
5	34810H5A000H000	GAUGE ASSY, FUEL LEVEL SENDER	1	
6	34886H52100H000	PLATE, FUEL LEVEL SENDER GAUGE	1	
7	34825H85300H000	O-RING, FUEL LEVEL SENDER	1	
8	44422H5A000H000	HOSE, OUTLET	1	
9	44360H50010H000	FILTER, FUEL	1	
10	44421H5A000H000	HOSE, FUEL NO. 1	1	
11	09401-10410-000	CLIP, VACUUM HOSE	2	
12	09401H08302H000	CLAMP	2	



4

Fig. 30

Fig.30 LEG SHIELD (X03-C305-0008)

REF. No.	PART No.	DESCRIPTION	Q' TY	REMARKS
1	48131H5A000H000	SHIELD, LEG CENTER	1	
2	47511H5A000H000	COVER, CENTER	1	
3	48132H57000H000	CAP	1	
4	09111H06304H000	SCREW	2	
5	03241-0516B-000	SCREW	8	
6	09320H10023H000	CUSHION	2	
7	09136H06005H000	SCREW WITH WASHER	3	
8	09148-05L08-000	NUT	4	
9	48136H5A000H000	PLATE, HORN	1	
10	03241-0512B-000	SCREW	2	

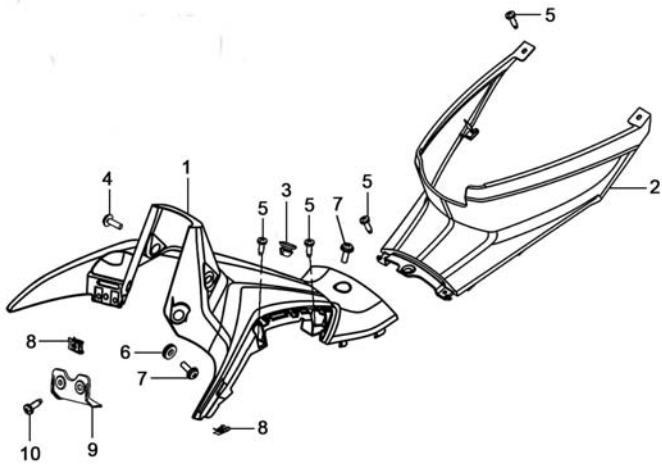


Fig. 31

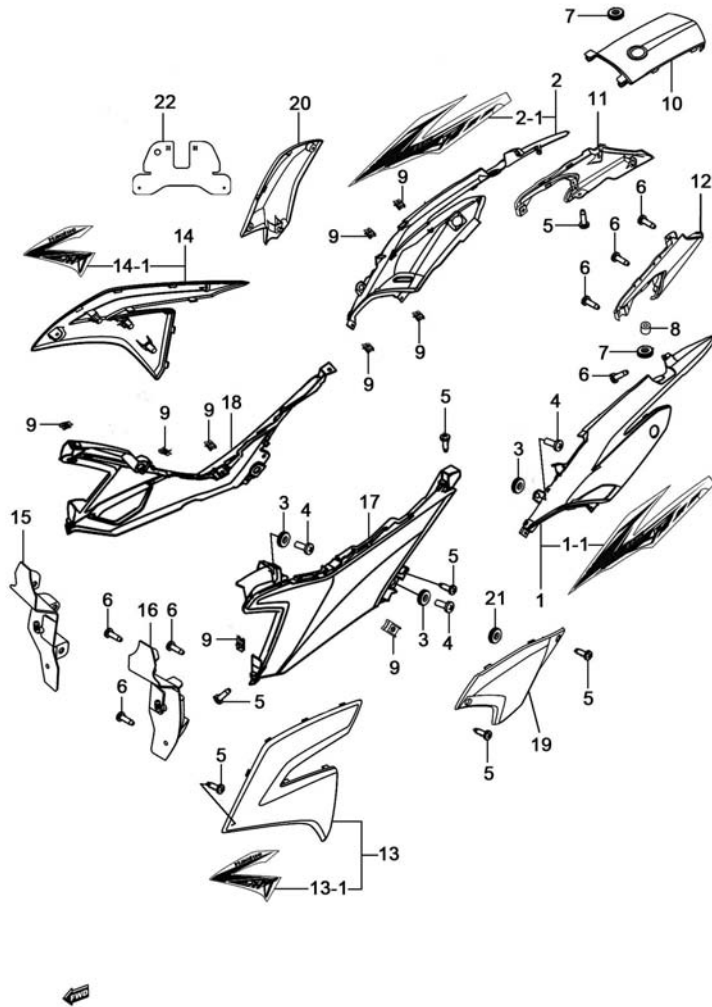


Fig.31 FRAME COVER (X03-C310-0007)

REF. No.	PART No.	DESCRIPTION	Q'TY	REMARKS
1	48024H5A000HF01	COVER SET, FRAME, L (BLACK)	1	
1	48024H5A000HF02	COVER SET, FRAME, L (Crystal White)	1	
1	48024H5A000HF03	COVER SET, FRAME, L (SILVER)	1	
1	48024H5A000HF06	COVER SET, FRAME, L (Crystal White)	1	
1-1	68156H5A000HT61	TAPE, SIDE COVER, L (T61)	1	
1-1	68156H5A000HT62	TAPE, SIDE COVER, L (T62)	1	
1-1	68156H5A000HT63	TAPE, SIDE COVER, L (T63)	1	
1-1	68156H5A000HT65	TAPE, SIDE COVER, L (T65)	1	
2	48014H5A000HF01	COVER SET, FRAME, R (BLACK)	1	
2	48014H5A000HF02	COVER SET, FRAME, R (Crystal White)	1	
2	48014H5A000HF03	COVER SET, FRAME, R (SILVER)	1	
2	48014H5A000HF06	COVER SET, FRAME, R (Crystal White)	1	
2-1	68155H5A000HT61	TAPE, SIDE COVER, R (T61)	1	
2-1	68155H5A000HT62	TAPE, SIDE COVER, R (T62)	1	
2-1	68155H5A000HT63	TAPE, SIDE COVER, R (T63)	1	
2-1	68155H5A000HT65	TAPE, SIDE COVER, R (T65)	1	
3	09320H10023H000	CUSHION	6	
4	09136H06005H000	SCREW WITH WASHER	6	
5	03241-0516B-000	SCREW	14	
6	03541-0516B-000	SCREW	14	
7	09320H16002H000	CUSHION	3	
8	46356H5A000H000	SPACER, PILLION RIDER HANDLE	2	
9	09148-05L08-000	NUT	18	
10	47371H5A000H504	LID, FRAME, REAR (BLACK)	1	
10	47371H5A000H911	LID, FRAME, REAR (Crystal White)	1	
10	47371H5A000H815	LID, FRAME, REAR (SILVER)	1	
11	47411H5A000H000	COVER, FRAME LOWER, R	1	
12	47421H5A000H000	COVER, FRAME LOWER, L	1	
13	47021H5A000HF01	LID SET, FRAME COVER, L (BLACK)	1	

4

Fig. 31

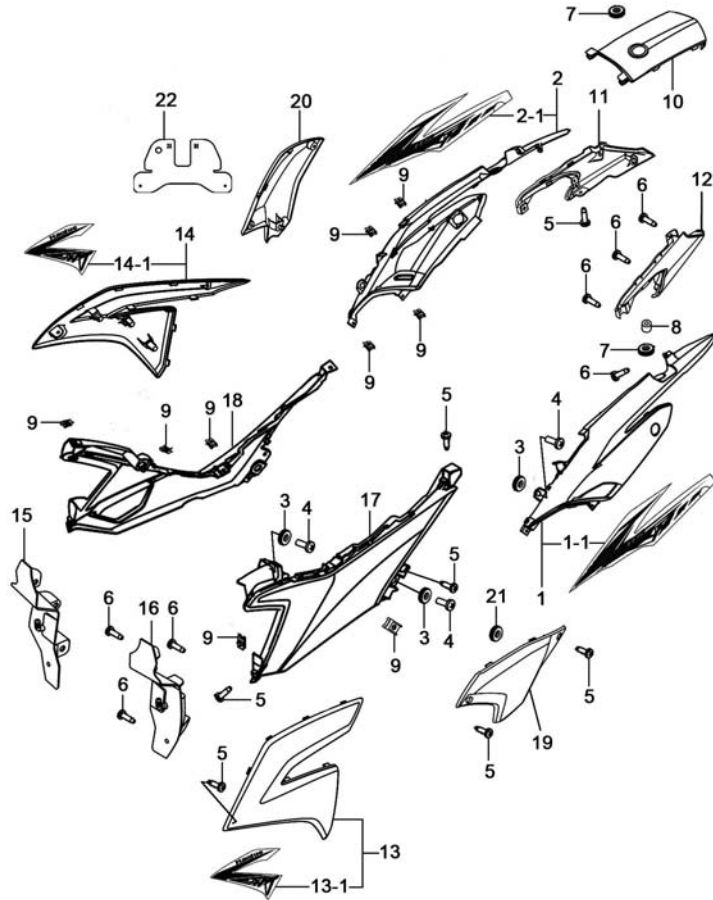


Fig.31 FRAME COVER (X03-C310-0007)

REF. No.	PART No.	DESCRIPTION	Q' TY	REMARKS
13	47021H5A000HF02	LID SET, FRAME COVER, L (WHITE)	1	
13	47021H5A000HF03	LID SET, FRAME COVER, L (SILVER)	1	
13	47021H5A000HF05	LID SET, FRAME COVER, L (RED)	1	
13	47021H5A000HF06	LID SET, FRAME COVER, L (BLUE)	1	
13-1	68140H5A000HT61	TAPE SET, FRAME COVER STRIPE, L (T61)	1	
13-1	68140H5A000HT62	TAPE SET, FRAME COVER STRIPE, L (T62)	1	
13-1	68140H5A000HT63	TAPE SET, FRAME COVER STRIPE, L (T63)	1	
13-1	68140H5A000HT64	TAPE SET, FRAME COVER STRIPE, L (T64)	1	
13-1	68140H5A000HT65	TAPE SET, FRAME COVER STRIPE, L (T65)	1	
14	47011H5A000HF01	LID SET, FRAME COVER, L (BLACK)	1	
14	47011H5A000HF02	LID SET, FRAME COVER, L (WHITE)	1	
14	47011H5A000HF03	LID SET, FRAME COVER, L (SILVER)	1	
14	47011H5A000HF05	LID SET, FRAME COVER, L (RED)	1	
14	47011H5A000HF06	LID SET, FRAME COVER, L (BLUE)	1	
14-1	68130H5A000HT61	TAPE SET, FRAME COVER STRIPE, R (T61)	1	
14-1	68130H5A000HT62	TAPE SET, FRAME COVER STRIPE, R (T62)	1	

Fig. 31

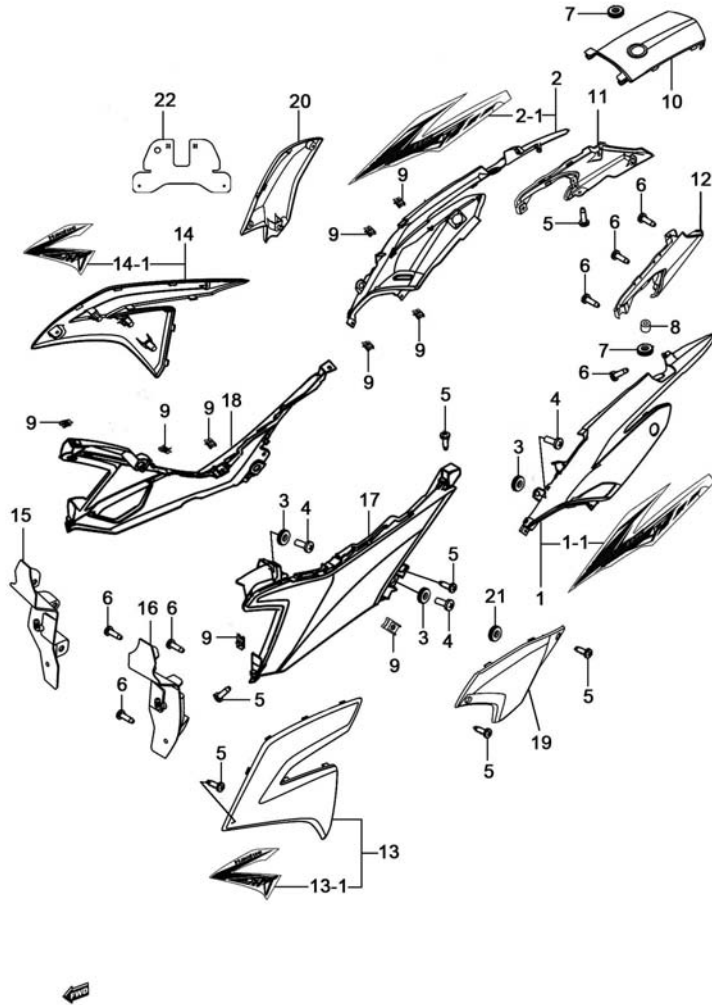


Fig.31 FRAME COVER (X03-C310-0007)

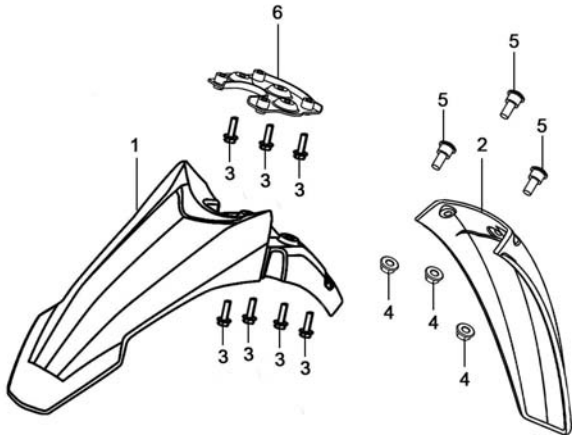
REF. No.	PART No.	DESCRIPTION	Q' TY	REMARKS
14-1	68130H5A000HT63	TAPE SET, FRAME COVER STRIPE, R (T63)	1	
14-1	68130H5A000HT64	TAPE SET, FRAME COVER STRIPE, R (T64)	1	
14-1	68130H5A000HT65	TAPE SET, FRAME COVER STRIPE, R (T65)	1	
15	48211H5A000H000	SHIELD, LEG, R	1	
16	48311H5A000H000	SHIELD, LEG, L	1	
17	47211H5A000H505	COVER, FRAME, L (MATTE BLACK)	1	
18	47111H5A000H505	COVER, FRAME, R (MATTE BLACK)	1	
19	47221H5A000H000	COVER, SIDE LEFT, LWR	1	
20	47121H5A000H000	COVER, SIDE RIGHT, LWR	1	
21	09320H08008H000	CUSHION	2	
22	47219H5A000H000	MUDGUARD, CLEANER INLET	1	

4

Fig. 32

Fig.32 FRONT FENDER (X03-C320-0003)

REF. No.	PART No.	DESCRIPTION	Q' TY	REMARKS
1	53111H5A000H000	FENDER, FRONT FRONT	1	
2	53211H5A000H000	FENDER, FRONT REAR	1	
3	01550-0616B-000	BOLT	7	
4	08316-1006B-000	NUT	3	
5	53188H5A000H000	SCREW, FRONT FENDER	3	
6	53210H5A000H000	BRACE COMP, FRONT FENDER	1	



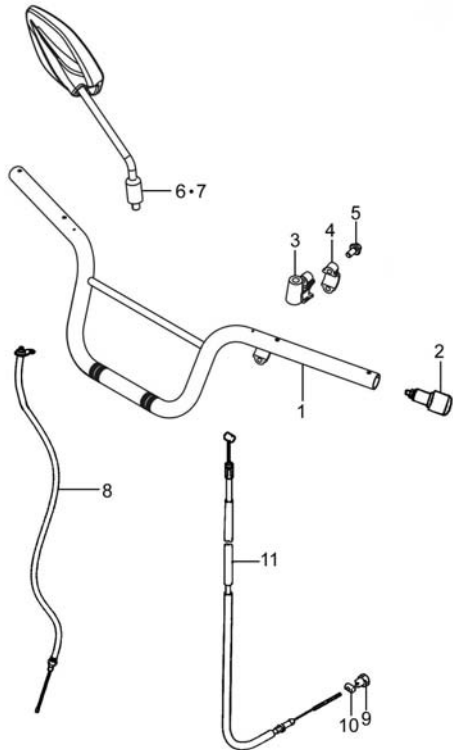
4



Fig. 33

Fig.33 HANDLEBAR (X03-C330-0008)

REF. No.	PART No.	DESCRIPTION	Q'TY	REMARKS
1	56110H5A000H000	HANDLEBAR COMP	1	
2	56270H57002H000	BALANCER ASSY, HANDLEBAR	2	
3	56146H5A000H000	BRACKET, REAR VIEW MIRROR NO. 1, L	1	
4	56147H5A000H000	BRACKET, REAR VIEW MIRROR NO. 2, L	1	
5	01547-0625B-000	BOLT	2	
6	56500H5A000H000	MIRROR ASSY, REAR VIEW, R	1	
7	56600H5A000H000	MIRROR ASSY, REAR VIEW, L	1	
8	58300H5A000H000	CABLE ASSY, THROTTLE	1	
9	09150H06002H000	NUT	1	
10	09209H12003H000	PIN	1	
11	58100H5A000H000	CABLE ASSY, FRONT BRAKE	1	



4

Fig. 34

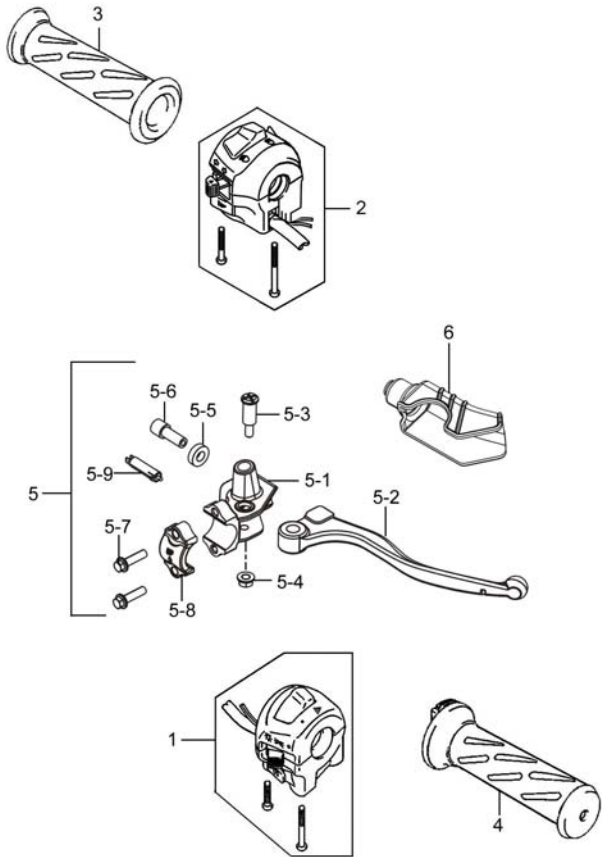


Fig.34 HANDLE SWITCH (X03-C340-0009)

REF. No.	PART No.	DESCRIPTION	Q' TY	REMARKS
1	37200H11A30H000	SWITCH ASSY, HANDLE, R	1	
2	37400H11A20H000	SWITCH ASSY, HANDLE, L	1	
3	57110-28G10-000	GRIP COMP THROTTLE	1	
4	57211-45FB0-000	GRIP, L	1	
5	57300H5A000H000	LEVER ASSY, FR BRAKE	1	
5-1	57311H5A000H000	HOLDER, BRAKE LEVER	1	
5-2	57421H57000H000	LEVER, BRAKE	1	
5-3	57431H5A000H000	BOLT, BRAKE LEVER PIVOT	1	
5-4	08319-3106B-000	U-NUT	1	
5-5	57442H12900H000	NUT, LOCK	1	
5-6	57441H12900H000	ADJUSTER, WIRE	1	
5-7	01547-0620B-000	BOLT	2	
5-8	57512-45F00-000	BRACKET	1	
5-9	57470H12900H000	SWITCH ASSY, BRAKE	1	
6	57341H5A000H000	COVER, BRAKE LEVER	1	

4

Fig. 35

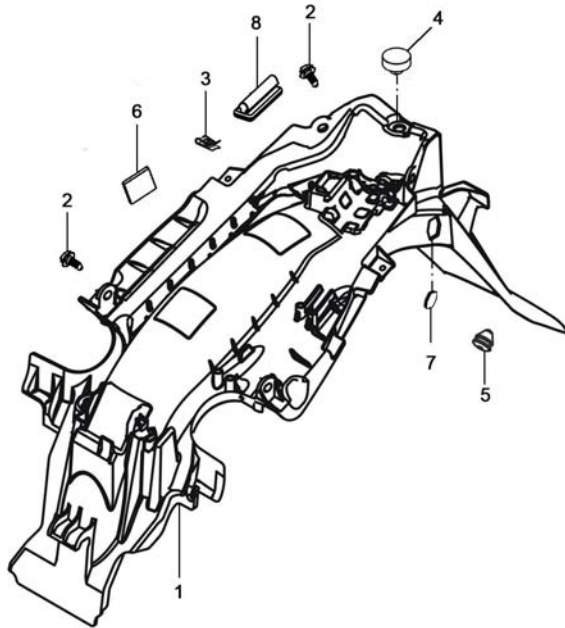


Fig.35 REAR FENDER (X03-C350-0006)

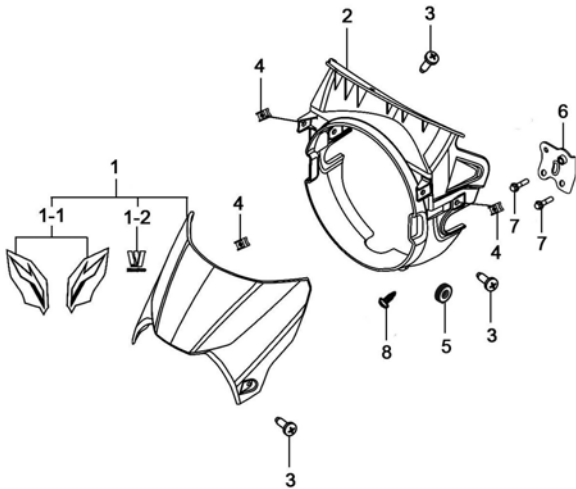
REF. No.	PART No.	DESCRIPTION	Q' TY	REMARKS
1	63111H5A000H000	FENDER, REAR	1	
2	94577-45FA0-000	BOLT	4	
3	09148-05L08-000	NUT	2	
4	09321-10012-000	CUSHION	1	
5	45146H52100H000	CUSHION	1	
6	92116H57000H000	CUSHION, FRONT BOX	2	
7	31482H5A000H000	GROMMET	2	
8	63118H57000H000	CAP, REAR UPPER FENDER, L	1	

4

Fig. 36

Fig.36 HOUSING,HEADLAMP (X03-C355-0006)

REF. No.	PART No.	DESCRIPTION	Q' TY	REMARKS
1	94041H5A000HF01	COWLING SET (BLACK)	1	
1	94041H5A000HF02	COWLING SET (WHITE)	1	
1	94041H5A000HF03	COWLING SET (SILVERY)	1	
1	94041H5A000HF06	COWLING SET (WHITE)	1	
1-1	68270H5A000HT61	TAPE SET, COWLING BODY (T61)	1	
1-1	68270H5A000HT62	TAPE SET, COWLING BODY (T62)	1	
1-1	68270H5A000HT63	TAPE SET, COWLING BODY (T63)	1	
1-1	68270H5A000HT65	TAPE SET, COWLING BODY (T65)	1	
1-2	68170H79000HSIL	LOGO (SIL)	1	
1-2	68170H79000HMT1	LOGO (MT1)	1	
2	51811H5A000H000	HOUSING, HEADLAMP	1	
3	03241-0512B-000	SCREW	5	
4	09148-05L08-000	NUT	5	
5	51827-36H00-000	CUSHION, HEADLAMP HOUSING	2	
6	54511H5A000H000	SUPPORT, HEAD LIGHT COVER	1	
7	01550-0612B-000	BOLT	2	
8	02142-0616B-000	SCREW	1	



4



Fig. 37

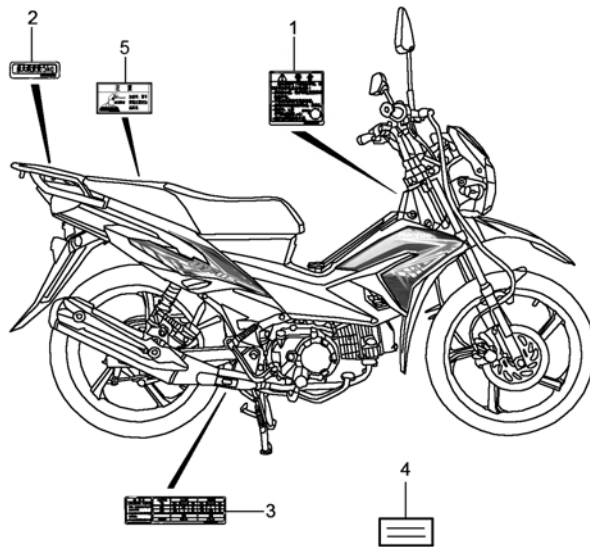


Fig.37 LABEL (X03-C370-0011)

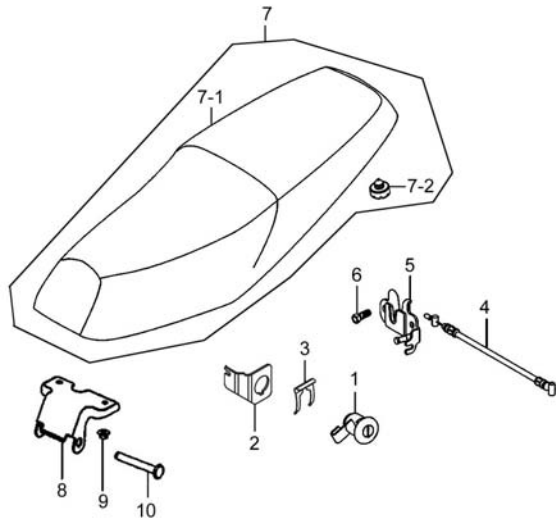
REF. No.	PART No.	DESCRIPTION	Q' TY	REMARKS
1	68319H51030H000	LABEL, GENERAL WARNING	1	
2	68391H52120H000	LABEL, REAR CARRIER WARNING	1	
3	68332H57010H000	LABEL, TIRE INFORMATION	1	
4	99011H5A001H000	MANUAL, OWNER'S	1	
5	68926H52120H000	LABEL, FUEL FILL	1	

4

Fig. 38

Fig.38 SEAT (X03-C380-0004)

REF. No.	PART No.	DESCRIPTION	Q' TY	REMARKS
1	95700H52110H000	LOCK ASSY, SEAT NO. 1	1	
2	95711H52110H000	BRACKET, SEAT LOCK	1	
3	95721H52110H000	PLATE, SEAT LOCK NO. 2	1	
4	45280H5A000H000	CABLE COMP, SEAT LOCK	1	
5	45700-09GA0-000	LOCK ASSY, SEAT NO. 1	1	
6	01547-0612A-000	HEXAGON BOLT WITH FLANGE	2	
7	45100H5A000H000	SEAT ASSY	1	
7-1	45160H5A000H000	COVER COMP, SEAT	1	
7-2	45148H57000H000	CUSHION, SEAT MOUNT	6	
8	45260H52101H000	BRACKET COMP, SEAT HINGE	1	
9	08316-1006A-000	NUT	2	
10	45216H51010H000	PIN, SEAT HINGE INSERT	1	



4



Fig. 39

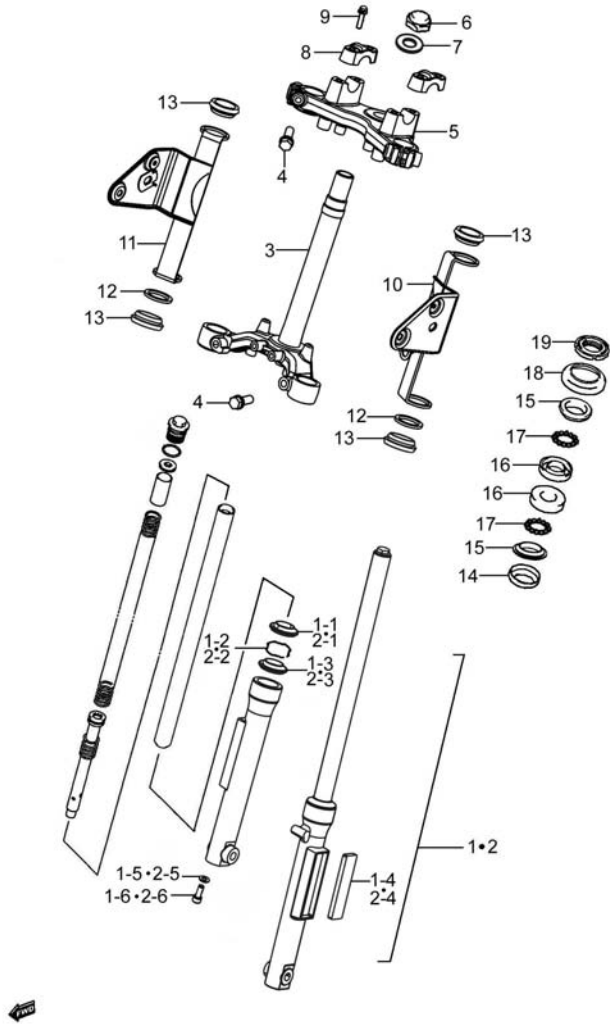


Fig.39 STEERING STEM (X03-C400-0005)

REF. No.	PART No.	DESCRIPTION	Q' TY	REMARKS
1	51103H5A010H511	DAMPER ASSY, FRONT FORK, R (511)	1	
1-1	51173H51000H000	SEAL, DUST	1	
1-2	51156H50000H000	RING, STOPPER	1	
1-3	51153H50000H000	OIL SEAL	1	
1-4	51155H52100H000	REFLECTOR	1	
1-5	51148H50000H000	GASKET	1	
1-6	51147H51000H000	BOLT	1	
2	51104H5A010H511	DAMPER ASSY, FRONT FORK, L (511)	1	
2-1	51173H51000H000	SEAL, DUST	1	
2-2	51156H50000H000	RING, STOPPER	1	
2-3	51153H50000H000	OIL SEAL	1	
2-4	51155H52100H000	REFLECTOR	1	
2-5	51148H50000H000	GASKET	1	
2-6	51147H51000H000	BOLT	1	
3	51410H5A000H000	BRACKET COMP, UNDER	1	
4	01550-0845B-000	BOLT, HEXAGON HEAD FLANGE	4	
5	51311H5A000H000	BRACKET, UPPER	1	
6	51353-48H00-000	NUT, STEM TOP	1	
7	51356H5A000H000	WASHER, STEERING STEM	1	
8	56211H5A010H000	HOLDER, HANDLE UPPER	2	
9	01550-0835B-000	BOLT, HEXAGON HEAD FLANGE	4	
10	51540H5A000H000	BRACKET COMP, HEADLAMP, L	1	
11	51530H5A000H000	BRACKET COMP, HEADLAMP, R	1	
12	51555H5A000H000	SPACER, HEADLAMP BRACKET	2	
13	51553H5A000H000	DAMPER, HEADLAMP BRACKET	4	
14	51644-45FA0-000	SEAL, STEERING, LOWER	1	
15	51622H2A200H000	RACE, STEERING OUTER LOWER	2	
16	51612H2A200H000	RACE, STEERING INNER LOWER	2	
17	51620H2A200H000	BALL, STEERING STEEL LOWER	2	

4

Fig. 39

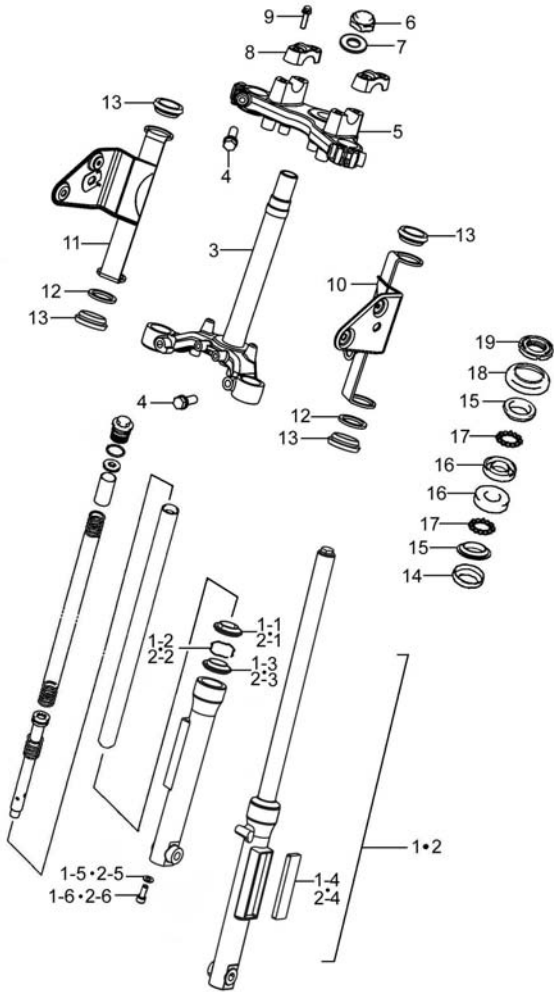


Fig.39 STEERING STEM (X03-C400-0005)

REF. No.	PART No.	DESCRIPTION	Q' TY	REMARKS
18	51643H40100H000	SEAL, STEERING DUST UPPER	1	
19	51631-48H00-000	NUT, STEERING STEM	1	

4

Fig. 40

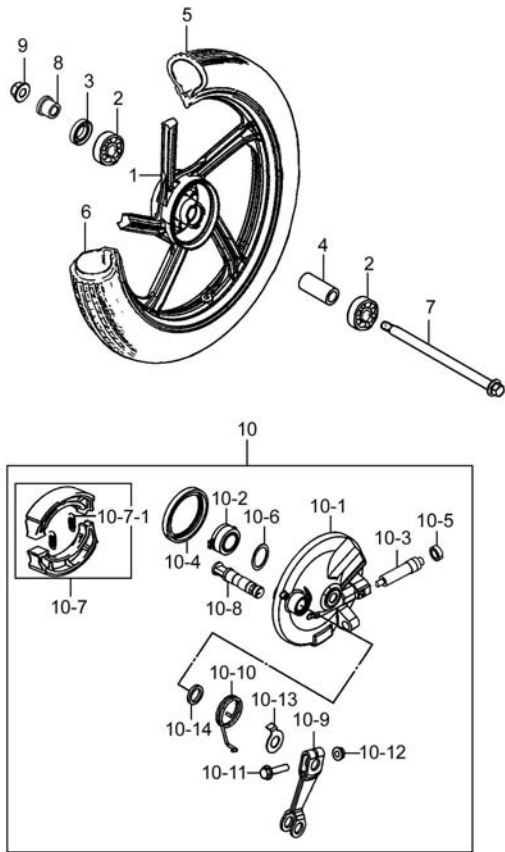


Fig.40 FRONT WHEEL (X03-C410-0007)

REF. No.	PART No.	DESCRIPTION	Q' TY	REMARKS
1	54110H57001H511	WHEEL COMP, FRONT (BLACK)	1	
2	08133-6301B-000	BALL BEARING	2	
3	54742-36H00-000	SEAL, FRONT HUB	1	
4	54731H50200H000	SPACER, FRONT WHEEL BRG	1	
5	55100H5A000H000	TIRE SET, FR	1	
6	55200H57000H000	TUBE ASSY, WHEEL INNER	1	
7	54711H50000H000	AXLE, FRONT	1	
8	54751H57000H000	SPACER, FRONT AXLE	1	
9	08319-3112A-000	U-NUT	1	
10	54200H57002H505	PANEL ASSY, FRONT BRAKE (505)	1	
10-1	54210H57000H505	PANEL COMP, FRONT BRAKE ANCHOR (505)	1	
10-2	54611H57000H000	GEAR, SPEEDOMETER	1	
10-3	54621H57000H000	PINION, SPEEDOMETER	1	
10-4	54640H50000H000	SEAL	1	
10-5	54632H7E000H000	BUSH, SPEEDOMETER PINION	1	
10-6	54614H11200H000	WASHER	1	
10-7	54400H79Y20H000	SHOE COMP, BRAKE	1	
10-7-1	55421H36H00H000	SPRING, BRAKE SHOE	2	
10-8	54441H57000H000	CAM, FRONT BRAKE	1	
10-9	54451H50010H000	LEVER, FRONT BRAKE CAM	1	
10-10	54453H50000H000	SPRING	1	
10-11	01547-0630A-000	BOLT	1	
10-12	08316-1006A-000	NUT	1	
10-13	54492H50000H000	PLATE, BRAKE LINING	1	
10-14	54443-36H10-000	SEAL, BRAKE CAM DUST	1	

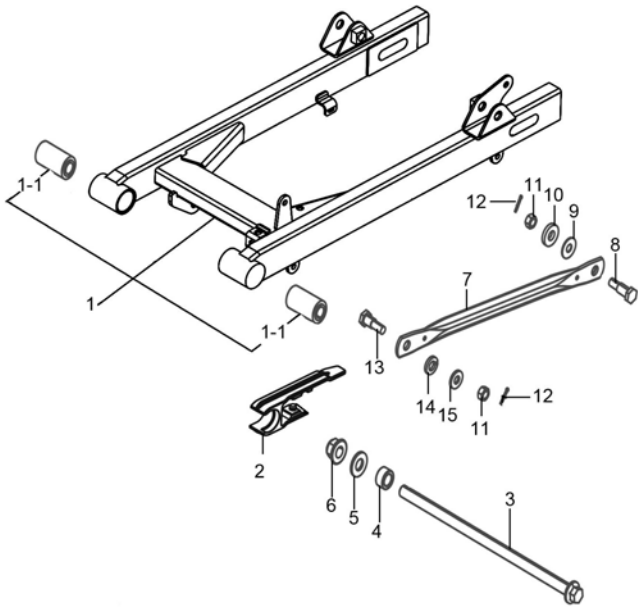
4



Fig. 41

Fig.41 REAR SWINGING ARM (X03-C440-0007)

REF. No.	PART No.	DESCRIPTION	Q' TY	REMARKS
1	61000H5A000H000	SWINGINGARM ASSY, REAR	1	
1-1	09319-12018-000	BUSHING	2	
2	61273H57000H000	BUFFER, CHAIN TOUCH DEFENSE	1	
3	61211H52100H000	SHAFT, RR SWG ARM PIVOT	1	
4	09180H12011H000	SPACER	1	
5	09160-12085-000	WASHER, RR SHK ABS UPPER INNER	1	
6	08319-3112A-000	U-NUT	1	
7	64311H5A000H000	TORQUE LINK, REAR	1	
8	09111H08004H000	BOLT	1	
9	09160-08167-000	WASHER, PLAIN	1	
10	64323H52100H000	CUSHION, RUBBER	1	
11	08310-0008A-000	HEXAGON NUT	2	
12	04111-2020A-000	COTTER PIN	2	
13	09111H08001H000	BOLT	1	
14	08321-0110B-000	SPRING LOCK WASHER	1	
15	09160-08039-000	WASHER, PLAIN	1	



4



Fig. 42

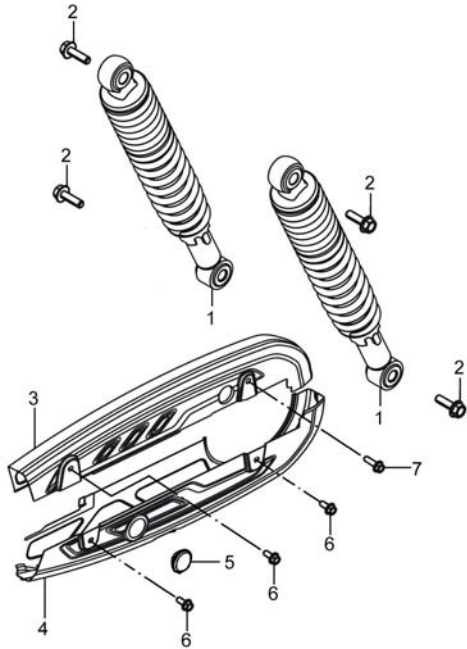


Fig.42 REARSHOCK ABSORBER (X03-C450-0007)

REF. No.	PART No.	DESCRIPTION	Q' TY	REMARKS
1	62100H5A000H000	ABSORBER ASSY, REAR SHOCK	2	
2	01550-1035B-000	BOLT	4	
3	61310H5A000H000	CASE COMP, CHAIN UPPER	1	
4	61320H5A000H000	CASE COMP, CHAIN LOWER	1	
5	61324H51000H000	COVER, OBSERVED, CHAIN	1	
6	01560-0608A-000	HEXAGON HEAD BOLT	3	
7	01550-0612A-000	BOLT	1	

4

Fig. 43

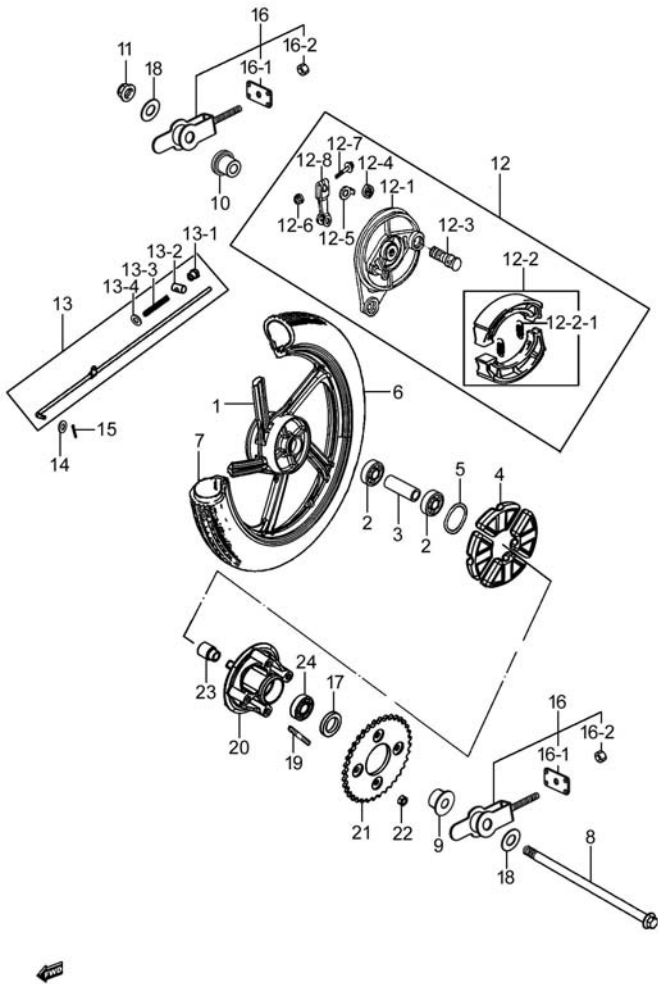


Fig.43 REAR WHEEL (X03-C460-0006)

REF. No.	PART No.	DESCRIPTION	Q' TY	REMARKS
1	64150H57001H511	WHEEL COMP, REAR (MATTE BLACK)	1	
2	08133-6301B-000	BALL BEARING	2	
3	64731-36H00-000	SPACER, REAR HUB BEARING	1	
4	64651H57000H000	ABSORBER, REAR HUB SHOCK	4	
5	64653-36H00-000	O RING	1	
6	65100H5A000H000	TIRE SET, RR	1	
7	65200H57000H000	TUBE ASSY, WHEEL INNER	1	
8	54711-20E10-000	AXLE, FRONT	1	
9	64751H5A000H000	SPACER, REAR AXLE, L	1	
10	64741H5A000H000	SPACER, REAR AXLE, R	1	
11	08319-3112A-000	U-NUT	1	
12	64200H57300H511	PANEL ASSY, REAR BRAKE (511)	1	
12-1	64210H52102H511	PANEL COMP, REAR BRAKE (MATTE BLACK)	1	
12-2	54400H79Y20H000	SHOE COMP, BRAKE	1	
12-2-1	55421H36H00H000	SPRING, BRAKE SHOE	2	
12-3	64441H57000H000	CAM, REAR BRAKE	1	
12-4	54443-36H10-000	SEAL, BRAKE CAM DUST	1	
12-5	64492H50000H000	PLATE, BRAKE LINLING	1	
12-6	08316-1006A-000	NUT	1	
12-7	01547-0635A-000	BOLT	1	
12-8	64451H52100H000	LEVER, REAR BRAKE CAM	1	
13	43031H5A000H000	ROD SET, REAR BRAKE	1	
13-1	09150H06002H000	NUT	1	
13-2	09209H12003H000	PIN	1	
13-3	09440H09008H000	SPRING, COMPRESSION	1	
13-4	08322-0106A-000	WASHER, PLAIN	1	
14	08322-0106A-000	WASHER, PLAIN	1	

Fig. 43

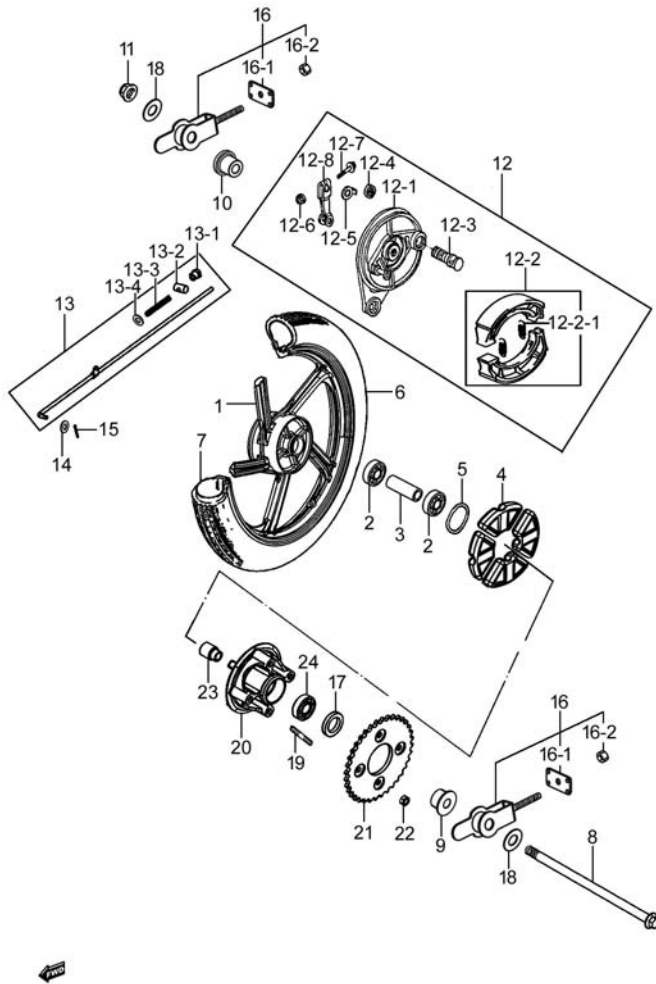


Fig.43 REAR WHEEL (X03-C460-0006)

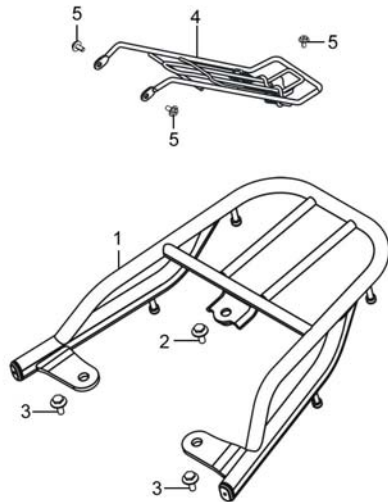
REF. No.	PART No.	DESCRIPTION	Q' TY	REMARKS
15	04111-2015A-000	COTTER PIN	1	
16	61410H5AY00H000	ADJUSTER SET, CHAIN	2	
16-1	61421-45HA0-000	PLATE, CHAIN ADJUSTER GUIDE	1	
16-2	08319-3106A-000	U-NUT	1	
17	64612H50000H000	SEAL OIL	1	
18	09160-12085-000	WASHER, RR SHK ABS UPPER INNER	2	
19	01421-0816A-000	STUD BOLT	4	
20	64611H57000H000	DRUM, REAR SPROCKET	1	
21	64511H57000H000	SPROCKET, REAR	1	
22	08310-0008A-000	HEXAGON NUT	4	
23	64733H57001H000	RETAINER, REAR HUB BEARING	1	
24	08143-62037-000	BEARING, SPROCKET DRUM	1	

4

Fig. 44

Fig.44 CARRIER (X03-C480-0010)

REF. No.	PART No.	DESCRIPTION	Q' TY	REMARKS
1	46310H5A000H000	CARRIER COMP, REAR	1	
2	01550-1025A-000	BOLTS, HEXAGON HEAD FLANGE	1	
3	01550-1030A-000	HEXAGON BOLT WITH FLANGE	2	
4	46320H5A000H000	CARRIER COMP, CENTER	1	
5	09136H06005H000	SCREW WITH WASHER	3	



4



PART NO.	FIG. NO. – REF. NO.	PART NO.	FIG. NO. – REF. NO.	PART NO.	FIG. NO. – REF. NO.	PART NO.	FIG. NO. – REF. NO.
00000		01550-0612A-000	14-5	03541-0525A-000	10-1-10	09103H06003H000	01-6
		01550-0612A-000	25-19	04111-2015A-000	28-4-4	09103H06013H000	17-2
		01550-0612A-000	42-7	04111-2015A-000	28-5-4	09103H06078H000	26-16
		01550-0612B-000	36-7	04111-2015A-000	43-15	09108H07001H000	02-4
		01550-0616B-000	20-5	04111-2020A-000	41-12	09111H06304H000	30-4
01204-08207-000	22-2	01550-0616B-000	32-3	04111-3028A-000	27-5	09111H08001H000	41-13
01421-0816A-000	43-19	01550-0620A-000	08-10	07130-0835A-000	11-1	09111H08004H000	41-8
01500-0610A-000	28-4-8	01550-0625A-000	13-9-3-7	08110-60010-000	14-3	09116H06004H000	07-13
01500-0610A-000	28-5-8	01550-0812A-000	21-2	08133-6301B-000	40-2	09119-06120-000	01-9
01500-0620A-000	15-7	01550-0816A-000	28-2	08133-6301B-000	43-2	09135H08008H000	08-18
01500-0825A-000	16-6	01550-0825A-000	08-3	08143-62037-000	43-24	09136H06005H000	30-7
01547-0612A-000	01-11	01550-0835B-000	39-9	08310-0008A-000	41-11	09136H06005H000	31-4
01547-0612A-000	13-12	01550-0845A-000	11-4	08310-0008A-000	43-22	09136H06005H000	44-5
01547-0612A-000	38-6	01550-0845B-000	39-4	08316-1006A-000	38-9	09139-06167-000	11-3-2
01547-0612B-000	21-8	01550-1025A-000	44-2	08316-1006A-000	40-10-12	09139-06167-000	25-5
01547-0616A-000	12-3	01550-1030A-000	44-3	08316-1006A-000	43-12-6	09140-10043-000	27-9
01547-0616A-000	18-5	01550-1035B-000	28-6	08316-1006B-000	20-3	09140H07002H000	01-4
01547-0618A-000	15-8	01550-1035B-000	42-2	08316-1006B-000	32-4	09148-05L08-000	26-10
01547-0620B-000	34-5-7	01560-0608A-000	42-6	08316-1008A-000	11-8	09148-05L08-000	30-8
01547-0625A-000	12-4	02112-0508A-000	13-7	08316-1010A-000	23-4	09148-05L08-000	31-9
01547-0625A-000	01-18	02112-3408A-000	25-6	08319-3106A-000	43-16-2	09148-05L08-000	35-3
01547-0625A-000	18-4	02112-3510A-000	25-7	08319-3106B-000	34-5-4	09148-05L08-000	36-4
01547-0625B-000	33-5	02112-3620A-000	25-15	08319-3110A-000	26-18	09150H06002H000	33-9
01547-0630A-000	01-15	02122-0616A-000	08-13	08319-3112A-000	40-9	09150H06002H000	43-13-1
01547-0630A-000	26-8	02142-0616B-000	25-11	08319-3112A-000	41-6	09160-06164-000	11-3-3
01547-0630A-000	40-10-11	02142-0616B-000	36-8	08319-3112A-000	43-11	09160-08039-000	41-15
01547-0635A-000	04-11	03241-0512B-000	30-10	08321-01087-000	22-4	09160-08167-000	41-9
01547-0635A-000	04-14	03241-0512B-000	36-3	08321-0110B-000	41-14	09160-10040-000	23-3
01547-0635A-000	43-12-7	03241-0516B-000	26-11	08322-0106A-000	43-13-4	09160-12085-000	41-5
01547-0640A-000	04-4	03241-0516B-000	30-5	08322-0106A-000	43-14	09160-12085-000	43-18
01547-0660A-000	03-3	03241-0516B-000	31-5	08322-01087-000	22-3	09160H07003H000	01-5
01547-0675A-000	03-2	03541-0416A-000	10-1-4	08331-31209-000	16-1-9	09160H08002H000	13-21
01550-0520A-000	20-7	03541-0516B-000	21-4	09100H06002H000	14-12	09160H08009H000	08-19
01550-0610A-000	29-4	03541-0516B-000	24-2	09103-10070-000	26-17	09160H08012H000	11-5
01550-0612A-000	10-2	03541-0516B-000	31-6	09103H05001H000	07-3	09160H08012H000	08-4

5

PART NO.	FIG. NO. – REF. NO.	PART NO.	FIG. NO. – REF. NO.	PART NO.	FIG. NO. – REF. NO.	PART NO.	FIG. NO. – REF. NO.
09160H14003H000	08-9	09285H12003H000	15-13	10000		12710H16200H000	07-12
09161H06002H000	01-12	09285H13010H000	16-4		12741H16200H000	08-15	
09161H06004H000	11-3-4	09319-12018-000	41-1-1		12742H16200H000	08-16	
09164-10012-000	07-4	09320H08008H000	31-21		12760H16200H000	08-14	
09168H06002H000	11-3-5	09320H10023H000	30-6		12771H16200H000	08-17	
09169-06071-000	25-8	09320H10023H000	31-3	11110H16220H000	01-1	12810H12030H000	08-20
09180H06023H000	26-7	09320H16002H000	31-7	11141H16200H000	01-2	12820H16200H000	08-1
09180H08018H000	08-2	09321-10012-000	35-4	11167H12000H000	08-11	12840H16200H000	07-1
09180H12011H000	41-4	09401-10410-000	29-11	11171H16201H000	01-7	12842H16200H000	07-1-1
09180H17004H000	13-15	09401-12403-000	10-3	11173H16201H000	01-8	12843H12000H000	07-1-2
09181H14003H000	16-1-7	09401H08302H000	29-12	11191-27E80-000	01-10	12861H16200H000	07-2
09181H20002H000	16-1-8	09401H10301H000	10-5	11210H16202H0B0	02-1	12880H16200H000	08-5
09200H06004H000	28-4-7	09401H12101H000	10-1-9	11241H16200H000	02-2	12882H16200H000	08-6
09200H06004H000	28-5-7	09401H14401H000	10-1-6	11300H16Y10H000	03-1	12883H16200H000	08-7
09206H08004H000	04-3	09407-12402-000	25-13	11340H16220H000	04-1	12884H12010H000	08-8
09206H08007H000	01-3	09407-14403-000	25-2	11351H16220H000	04-5	12885H16200H000	08-12
09206H08007H000	02-3	09407-25401-000	25-3	11353H12C00H000	04-7	12911H16200H000	07-5
09206H10007H000	03-1-1	09440H04001H000	06-5-1	11360H16220H000	04-12	12912H16200H000	07-6
09209H12003H000	33-10	09440H04016H000	15-5	11362H16200H000	04-13	12921H16200H000	07-10
09209H12003H000	43-13-2	09440H09008H000	43-13-3	11482H16200H000	04-2	12931H12000H000	07-7
09247H12001H000	03-5	09443H14005H000	27-12	11483H16200H000	04-6	12932H50100H000	07-8
09259-26023-000	04-9	09443H15204H000	27-10	11522H33000H000	03-6	12933H16200H000	07-9
09261H10003H000	06-5-3	09443H16005H000	27-2	11971H16201H000	04-16	13111H16220H000	01-13
09262H17015H000	14-2	09471-12077-000	21-1-10	12111H16200H0B0	05-1	13121H12000H000	01-14
09262H17015H000	14-8	09471-12128-000	24-1-3	12140H16200H000	05-2	13128H12000H000	01-16
09262H22003H000	05-6	09471H12001H000	22-1-5	12151H50100H000	05-3	13170H57000H000	10-1-1
09263H21001H000	06-4	09471H12019H000	23-1-2	12152H12000H000	05-4	13200H57020H000	09-1
09280-22008-000	04-10	09471H12019H000	23-2-2	12200H16210H000	05-5	13247H57000H000	09-1-4
09280H08010H000	13-23	09471H12027H000	24-1-4	12612H16200H000	06-2	13250H57000H000	09-1-15
09280H13010H000	04-8	09471H12081H000	22-1-6	12622H16210H000	06-3	13251H52100H000	09-1-14
09280H18002H000	04-17	09482H00004H000	01-19	12630H12C00H000	06-5-5	13253H57000H000	09-1-7
09280H21001H000	15-6-1	09491H85050H000	09-1-2	12633H12000H000	06-5-2	13254H50200H000	09-1-6
09280H25010H000	01-17	09494H50200H000	09-1-12	12640H12C00H000	06-5	13267H57000H000	09-1-17
09283H10002H000	07-11	09800H20015H000	26-2	12649H12C00H000	06-5-4	13279H57000H000	09-1-11
09283H17002H000	14-7			12651H16200H000	06-1	13351H52110H000	09-1-3

PART NO.	FIG. NO. – REF. NO.	PART NO.	FIG. NO. – REF. NO.	PART NO.	FIG. NO. – REF. NO.	PART NO.	FIG. NO. – REF. NO.
13370H57000H000	09-1-16	21100H16210H000	13-1-1	23268H12C00H000	13-22	25314H16200H000	15-4
13382H57000H000	09-1-19	21210H16200H000	13-9-1	24102H16200H000	14-1	25329H16200H000	15-1-5
13383H57010H000	09-1-8	21252H16210H000	13-1-1-6	24103H16200H000	14-6	25335H16200H000	15-1-6
13385H57000H000	09-1-13	21300H16210H000	13-1	24121H16200H000	14-1-1	25339H16200H000	15-10
13389H57000H000	09-1-1	21324H16200H000	13-13	24129H16200H000	14-6-15	25350H16200H000	15-9
13413H57020H000	09-1-9	21344H13010H000	13-2	24131H16200H000	14-6-1	25357H12000H000	15-11
13548H57000H000	09-1-18	21345H13010H000	13-3	24148H16200H000	14-1-4	25381H16200H000	15-2
13573H57000H000	09-1-10	21348H13010H000	13-6	24149H12020H000	16-3	25500H16200H000	15-12
13684H57020H000	09-1-5	21400H16200H000	13-9	24149H16200H000	14-1-5	25510H16200H000	15-12-1
13700H57000H000	10-1	21410H16200H000	13-9-3	24153H16200H000	14-1-2	25520H16200H000	15-12-2
13722H51301H000	10-1-8	21411H16200H000	13-9-3-4	24153H16200H000	14-6-17	25556H16200H000	15-12-4
13723H57000H000	10-1-12	21413H16200H000	13-9-3-5	24153H16210H000	14-6-16	25559H16200H000	15-12-3
13724H57000H000	10-1-2	21441H16210H000	13-9-3-2	24153H16230H000	14-6-11	25600H16200H000	15-14
13741H57000H000	10-1-11	21451H16200H000	13-9-3-3	24153H16240H000	14-6-7	26210H16200H000	16-1
13790H57000H000	10-1-3	21462H16200H000	13-9-3-1	24156H16200H000	14-6-3	26211H16200H000	16-1-1
13810H57100H000	10-1-5	21471H16200H000	13-9-3-6	24156H16210H000	14-6-9	26221H16200H000	16-1-2
13851H13010H000	13-11	21481H16200H000	13-9-2	24158H16200H000	14-6-8	26225H16200H000	16-2
13851H57000H000	10-4	21501H16210H000	13-1-2	24159H16200H000	14-6-10	26226H16200H000	16-1-3
13878H52100H000	10-1-7	21527H16200H000	13-10	24221H16200H000	14-1-3	26235H16200H000	16-1-4
14036H5A000H000	11-3	21528H16200H000	13-8	24231H16200H000	14-1-7	26241H16200H000	16-1-5
14181-09D20-000	11-2	21529H12000H000	13-5	24232H16200H000	14-6-13	26282H16200H000	16-1-6
14413H57000H000	11-6	21533H12000H000	13-4	24232H16210H000	14-6-12	26300H16200H000	16-5
14414H57001H000	11-7	21535H16200H000	13-1-1-2	24232H16220H000	14-6-14	27511H16200H000	14-10
14781H5A000H000	11-3-1	21543H16200H000	13-1-1-3	24241H16200H000	14-1-6	27512H12000H000	14-11
16330H16200H000	08-21	21544H16200H000	13-1-1-4	24311H16200H000	14-6-2	27600H16210H100	14-13
16400H16200H000	12-1	21544H16210H000	13-1-1-5	24321H16200H000	14-6-4	30000	
16520H12000H000	03-4	21631H16210H000	13-1-1-1	24331H16200H000	14-6-5		
16731H12000H000	12-2	21643H16200H000	13-16	24341H16200H000	14-6-6		
		21644H13010H000	13-14	24741H16200H000	14-4		
		21645H12020H000	14-9	25031H1620AH000	15-1		
20000		21655H13001H000	13-20	25211H16200H000	15-1-1	31100H16201H000	17-1
		21711H16200H000	08-22	25212H12000H000	15-1-2	31133H16200H000	17-1-1-1
		23211H16220H000	13-18	25213H16200H000	15-1-3	31135H16200H000	17-1-2
		23230H16220H000	13-19	25311H16201H000	15-1-4	31150H16200H000	17-1-1
		23260H16200H000	13-17	25312H12010H000	15-3	31156H16200H000	17-1-3

5

5

PART NO.	FIG. NO. – REF. NO.	PART NO.	FIG. NO. – REF. NO.	PART NO.	FIG. NO. – REF. NO.	PART NO.	FIG. NO. – REF. NO.
31156H16210H000	17-1-4	35602H5A000H000	23-2	42112H57001H000	27-3	45211H5A000H000	26-13
31482H5A000H000	35-7	35612H5A000H000	23-1-1	42181H50002H000	27-6	45216H51010H000	38-10
31800H50000H000	20-1	35632H5A000H000	23-2-1	42211H57000H000	27-4	45260H52101H000	38-8
32100H16201H000	18-1	35710H5A000H000	24-1	42310H5D000H000	27-7	45280H5A000H000	38-4
32101H16201H000	18-1-1	35712H5A000H000	24-1-1	42551H50000H000	27-8	45281H5A000H000	26-14
32102H16200H000	18-1-2	35718H5A000H000	24-1-2	43031H5A000H000	43-13	45700-09GA0-000	38-5
32113H35000H000	18-2	35970H2C001H000	24-3	43110H57000H000	27-11	46310H5A000H000	44-1
32114H12000H000	18-3	36610H5A001H000	25-1	43115H57000H000	25-17	46320H5A000H000	44-4
32491H33010H000	06-6	36618H79201H000	25-10	43142H21302H000	27-13	46356H5A000H000	31-8
32800H51001H000	20-2	36651-26H50-000	25-12	43510H5D001H000	28-1	47011H5A000HF01	31-14
32900H57000H000	20-4	36651-45F40-000	25-9	43551H57000H000	28-3	47011H5A000HF02	31-14
33410H57000H000	20-6	36656H5A000H000	25-4	43600H57000H000	28-5	47011H5A000HF03	31-14
33620H51051H000	19-1	36656H5A010H000	21-3	43610H57010H000	28-5-1	47011H5A000HF05	31-14
34100H5A000H000	21-1	36740-37G10-000	25-21	43612H57000H000	28-4-2	47011H5A000HF06	31-14
34111H5A000H000	21-1-2	37011H5A000H000	25-20	43612H57000H000	28-5-2	47021H5A000HF01	31-13
34137H5A000H000	21-1-7	37072H16210H000	15-6	43617H57000H000	28-4-5	47021H5A000HF02	31-13
34150H5A000H000	21-1-1	37100H36700H000	25-14	43617H57000H000	28-5-5	47021H5A000HF03	31-13
34152H5A000H000	21-1-3	37200H11A30H000	34-1	43621H2A200H000	28-4-6	47021H5A000HF05	31-13
34173H5A000H000	21-1-4	37400H11A20H000	34-2	43621H2A200H000	28-5-6	47021H5A000HF06	31-13
34181H5A001H000	21-5	37740H57000H000	25-16	43631H52100H000	28-4-3	47111H5A000H505	31-18
34185H5A000H000	21-1-8	38500H5A000H000	25-18	43631H52100H000	28-5-3	47121H5A000H000	31-20
34500H5A000H000	21-1-9	38610-20K01-000	23-5	43700H57000H000	28-4	47211H5A000H505	31-17
34810H5A000H000	29-5			43710H57010H000	28-4-1	47219H5A000H000	31-22
34825H85300H000	29-7			43811H5A000H000	28-7	47221H5A000H000	31-19
34886H52100H000	29-6			43813H2E000H000	28-9	47371H5A000H504	31-10
34910H5A000H000	21-6			43821H5A000H000	28-8	47371H5A000H815	31-10
34938H5A000H000	21-7			44110H5A000H000	29-1	47371H5A000H911	31-10
34950H5A000H000	21-1-5	40000		44200H51020H000	29-2	47411H5A000H000	31-11
34955H5A000H000	21-1-6		44360H50010H000	29-9	47421H5A000H000	31-12	
35100H5A000H000	22-1		44421H5A000H000	29-10	47511H5A000H000	30-2	
35111H5A000H000	22-1-3		41100H5AY10H000	26-1	44422H5A000H000	29-8	48014H5A000HF01
35121H5A000H000	22-1-1	41391H57100H000	29-3	45100H5A000H000	38-7	48014H5A000HF02	31-2
35171H5A000H000	22-1-2	41584H57000H000	04-15	45146H52100H000	35-5	48014H5A000HF03	31-2
35174H5A000H000	22-1-4	41893H5A000HN00	26-15	45148H57000H000	38-7-2	48014H5A000HF06	31-2
35601H5A000H000	23-1	42100H5D000H000	27-1	45160H5A000H000	38-7-1	48024H5A000HF01	31-1

PART NO.	FIG. NO. – REF. NO.	PART NO.	FIG. NO. – REF. NO.	PART NO.	FIG. NO. – REF. NO.	PART NO.	FIG. NO. – REF. NO.
48024H5A000HF02	31-1	51553H5A000H000	39-13	54742-36H00-000	40-3	61000H5A000H000	41-1
48024H5A000HF03	31-1	51555H5A000H000	39-12	54751H57000H000	40-8	61211H52100H000	41-3
48024H5A000HF06	31-1	51612H2A200H000	26-1-1	55100H5A000H000	40-5	61273H57000H000	41-2
48131H5A000H000	30-1	51612H2A200H000	39-16	55200H57000H000	40-6	61310H5A000H000	42-3
48132H57000H000	30-3	51620H2A200H000	39-17	55421H36H00H000	40-10-7-1	61320H5A000H000	42-4
48136H5A000H000	30-9	51622H2A200H000	39-15	55421H36H00H000	43-12-2-1	61324H51000H000	42-5
48211H5A000H000	31-15	51631-48H00-000	39-19	56110H5A000H000	33-1	61410H5AY00H000	43-16
48311H5A000H000	31-16	51643H40100H000	39-18	56146H5A000H000	33-3	61421-45HA0-000	43-16-1
		51644-45FA0-000	39-14	56147H5A000H000	33-4	62100H5A000H000	42-1
		51811H5A000H000	36-2	56211H5A010H000	39-8	63111H5A000H000	35-1
50000		51827-36H00-000	36-5	56270H57002H000	33-2	63118H57000H000	35-8
		53111H5A000H000	32-1	56500H5A000H000	33-6	64150H57001H511	43-1
		53188H5A000H000	32-5	56600H5A000H000	33-7	64200H57300H511	43-12
		53210H5A000H000	32-6	57110-28G10-000	34-3	64210H52102H511	43-12-1
		53211H5A000H000	32-2	57211-45FB0-000	34-4	64311H5A000H000	41-7
51103H5A010H511	39-1	54110H57001H511	40-1	57300H5A000H000	34-5	64323H52100H000	41-10
51104H5A010H511	39-2	54200H57002H505	40-10	57311H5A000H000	34-5-1	64441H57000H000	43-12-3
51147H51000H000	39-1-6	54210H57000H505	40-10-1	57341H5A000H000	34-6	64451H52100H000	43-12-8
51147H51000H000	39-2-6	54400H79Y20H000	40-10-7	57421H57000H000	34-5-2	64492H50000H000	43-12-5
51148H50000H000	39-1-5	54400H79Y20H000	43-12-2	57431H5A000H000	34-5-3	64511H57000H000	43-21
51148H50000H000	39-2-5	54441H57000H000	40-10-8	57441H12900H000	34-5-6	64611H57000H000	43-20
51153H50000H000	39-1-3	54443-36H10-000	40-10-14	57442H12900H000	34-5-5	64612H50000H000	43-17
51153H50000H000	39-2-3	54443-36H10-000	43-12-4	57470H12900H000	34-5-9	64651H57000H000	43-4
51155H52100H000	39-1-4	54451H50010H000	40-10-9	57512-45F00-000	34-5-8	64653-36H00-000	43-5
51155H52100H000	39-2-4	54453H50000H000	40-10-10	58100H5A000H000	33-11	64731-36H00-000	43-3
51156H50000H000	39-1-2	54492H50000H000	40-10-13	58300H5A000H000	33-8	64733H57001H000	43-23
51156H50000H000	39-2-2	54511H5A000H000	36-6			64741H5A000H000	43-10
51173H51000H000	39-1-1	54611H57000H000	40-10-2			64751H5A000H000	43-9
51173H51000H000	39-2-1	54614H11200H000	40-10-6			65100H5A000H000	43-6
51311H5A000H000	39-5	54621H57000H000	40-10-3			65200H57000H000	43-7
51353-48H00-000	39-6	54632H7E000H000	40-10-5	60000		68130H5A000HT61	31-14-1
51356H5A000H000	39-7	54640H50000H000	40-10-4			68130H5A000HT62	31-14-1
51410H5A000H000	39-3	54711-20E10-000	43-8			68130H5A000HT63	31-14-1
51530H5A000H000	39-11	54711H50000H000	40-7			68130H5A000HT64	31-14-1
51540H5A000H000	39-10	54731H50200H000	40-4			68130H5A000HT65	31-14-1

5

5

PART NO.	FIG. NO. – REF. NO.	PART NO.	FIG. NO. – REF. NO.
68140H5A000HT61	31-13-1	94041H5A000HF01	36-1
68140H5A000HT62	31-13-1	94041H5A000HF02	36-1
68140H5A000HT63	31-13-1	94041H5A000HF03	36-1
68140H5A000HT64	31-13-1	94041H5A000HF06	36-1
68140H5A000HT65	31-13-1	94577-45FA0-000	35-2
68155H5A000HT61	31-2-1	95700H52110H000	38-1
68155H5A000HT62	31-2-1	95711H52110H000	38-2
68155H5A000HT63	31-2-1	95721H52110H000	38-3
68155H5A000HT65	31-2-1	99011H5A001H000	37-4
68156H5A000HT61	31-1-1		
68156H5A000HT62	31-1-1		
68156H5A000HT63	31-1-1		
68156H5A000HT65	31-1-1		
68170H79000HMT1	36-1-2		
68170H79000HSIL	36-1-2		
68270H5A000HT61	36-1-1		
68270H5A000HT62	36-1-1		
68270H5A000HT63	36-1-1		
68270H5A000HT65	36-1-1		
68311H57010H000	26-3		
68319H51030H000	37-1		
68332H57010H000	37-3		
68389-45F00-000	26-4		
68391H52120H000	37-2		
68926H52120H000	37-5		
90000			
92116H57000H000	26-12		
92116H57000H000	35-6		
92211H5A000H000	26-5		
92213H5A000H000	26-9		
92216H5A000H000	26-6		

Haojue UF115 PARTS CATALOGUE

1st Edition

Published in 2020.12

DACHANGJIANG GROUP CO.,LTD.

No.5, Jiandabei Rd., Jiangmen City, Guangdong Province, P.R.China

Tel: 86-750-3288999 Fax: 86-750-3230989 Code: 529000

DACHANGJIANG GROUP COPYRIGHT POSSESSION.

DACHANGJIANG GROUP CO. , LTD.