

# Haojue

## PARTS CATALOGUE

VS125



## PREFACE

This catalogue lists the spare parts used for the following model. Please do refer to the parts catalogue and indicate the parts number and the name listed in this catalogue correctly when you need to replace the spare parts.

Design Code	Factory Reference No. (Abbr. form in the catalogue)	Engine Reference No.	Engine Cad No.
VS125	FA7H25A00F-XXE11	EG25A29-E11	10091H25034H000

### 一、 How to place an order for spare parts?

#### 1. Required document:

The number must be provided as follow when order the spare parts:

- (a) The Engine parts: parts number and the Engine number
- (b) The Body parts: parts number and the Frame number

#### 2. Revision

The Revised Version would be published at a suitable time when the parts Catalogue needed to be revised or renewed. In this case, the edition number would be marked on the cover. The parts would have some difference because our products are improved continuously and the modified parts no. will not be informed before the new edition published.

### 二、 How to use the parts catalogue?

#### 1. Size

The unit of the parts' size indicated in the catalogue is 'mm', for example:

Parts name	Description
Bolt 6×12	Diameter 6mm, Length 12mm

O Ring D: 3.0, ID: 29.5	Section diameter 3mm, inner diameter 29.5mm
Bearing 35×72×17	Inner diameter 35mm, Outer diameter 72mm, Thickness 17mm

#### 2. Abbr.

The meaning of the Abbreviations in the catalogue are as the followings:

D: Section diameter NT: Number of Teeth L: Length ID: Inner diameter W: Width

OPT: Optional T: Thickness OD: Outer diameter OS: Over size

STD: Standard US: Under size LH: Left hand side RH: Right hand side

#### 3. Assy and the inner parts

The part number with a hyphen '-' in the front means this part could be supplied with the Assy (or the comp.), also could be supplied separately.

For example:

Item 1 CYLINDER HEAD ASSY

Item1-1 PIN,CAMSHAFT COVER

That means Item1-1 can be supplied with Item 1 and aslo can be supplied separately.

#### 4. The illustrations in the catalogue are just for the purpose to distinguish the parts. There might be some discrepancies between the illustrations and the real parts.. Furthermore, the illustrations can not be used for the assembling purpose. When assembling, pls use the Service Manual of the relative models.

#### 5. The instruction for the color parts

The catalogue lists are being supervised by color code.

For example: Assy,Fuel Tank 44100H22000HF01 F01 is the colour code and means "RED".

When place an order for the color parts, please use the correct parts number (with the color code), based on the compound color sheet of the models.

**This catalogue is edited according to the datas before 2020-12-30. The modification after that time should refer to the latest SPS(Spare Parts Modification notice).**

**VS125 COLOR TABLE FA7H25A00F–XXE11 6 COLOR STYLES**

REF. NO.	DESCRIPTION	PART NO.	a03 RED	a04 BLUE	a05 GRAY	a06 GRAY	a07 WHITE	a08 BLACK	REMARKS
1	HANDLE COMP, PILLION RIDER	46210H7H000H000	511	511	216	607	841	841	
2	SHIELD, LEG FRONT	48111H7H000H000	517	517	835	835	901	517	
3	COVER, FRONT LEG SHIELD	48131H7H000H000	511	511	511	511	511	511	
4	LID, FRONT LEG SHIELD	48118H7H000H000	129	628	216	607	841	841	
5	TAPE, FR LEG SHIELD COVER	68151H7A060H000	R81	R82	–	–	–	–	
6	TAPE, FR LEG SHIELD COVER	68151H7A050H000	–	–	R83	R83	R79	R80	
7	TAPE SET, FRONT LEG	68600H7A060H000	R81	R82	–	–	–	–	
8	TAPE SET, FRONT LEG	68600H7A050H000	–	–	R79	R79	R79	R79	
9	COVER, FRAME UPPER	47311H7H000H000	129	628	835	835	901	517	
10	FENDER, MOVABLE FRONT	53181H7H000H000	129	628	216	607	901	517	
11	COVER, HANDLE FRONT	56311H7H001H000	517	517	835	835	901	517	
12	LID, HANDLE FRONT	56331H7H001H000	511	511	511	511	511	511	
13	COVER SET, FRAME R	47011H7H00AH000	F01	F02	–	–	–	–	
14	TAPE, FRAME COVER UPR, R	68711H7A060H000	R81	R82	–	–	–	–	

**VS125 COLOR TABLE FA7H25A00F--XXE11 6 COLOR STYLES**

REF. NO.	DESCRIPTION	PART NO.	a03 RED	a04 BLUE	a05 GRAY	a06 GRAY	a07 WHITE	a08 BLACK	REMARKS
15	TAPE, FRAME COVER CTR, R	68712H7A060H000	R81	R82	-	-	-	-	
16	TAPE, FRAME COVER LWR, R	68713H7A060H000	R81	R82	-	-	-	-	
17	COVER SET, FRAME R	47011H7H001H000	-	-	F01	F01	F03	F04	
18	TAPE, FRAME COVER UPR, R	68711H7A050H000	-	-	R83	R83	R79	R80	
19	TAPE, FRAME COVER CTR, R	68712H7A050H000	-	-	R83	R83	R79	R80	
20	TAPE, FRAME COVER LWR, R	68713H7A050H000	-	-	R83	R83	R79	R80	
21	COVER, FRAME LWR, R	47111H7H001H000	129	628	835	835	901	517	NOT SUPPLY
22	COVER SET, FRAME L	47021H7H00BH000	F01	F02	-	-	-	-	
23	TAPE, FRAME COVER UPR, L	68721H7A060H000	R81	R82	-	-	-	-	
24	TAPE, FRAME COVER CTR, L	68722H7A060H000	R81	R82	-	-	-	-	
25	TAPE, FRAME COVER LWR, L	68723H7A060H000	R81	R82	-	-	-	-	
26	COVER SET, FRAME L	47021H7H002H000	-	-	F01	F01	F03	F04	
27	TAPE, FRAME COVER UPR, L	68721H7A050H000	-	-	R83	R83	R79	R80	
28	TAPE, FRAME COVER CTR, L	68722H7A050H000	-	-	R83	R83	R79	R80	

**VS125 COLOR TABLE FA7H25A00F-XXE11 6 COLOR STYLES**

REF. NO.	DESCRIPTION	PART NO.	a03 RED	a04 BLUE	a05 GRAY	a06 GRAY	a07 WHITE	a08 BLACK	REMARKS
29	TAPE, FRAME COVER LWR, L	68723H7A050H000	-	-	R83	R83	R79	R80	
30	COVER, FRAME, L	47211H7H002H000	129	628	835	835	901	517	NOT SUPPLY





**INFORMATION ILLUSTRATION INDEX**

**1**

**ENGINE & TRANSMISSION**

**2**

**ELECTRICAL**

**3**

**BODY**

**4**

**PARTS NUMBER INDEX**

**5**





1

Fig. 9 CARBURETOR (T06-S090-0004)

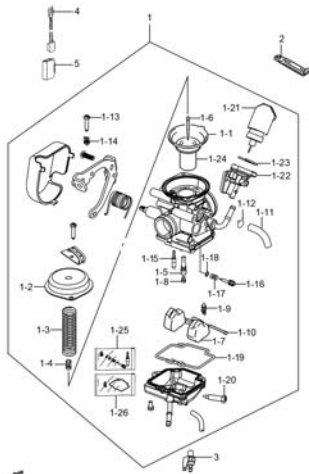


Fig. 10 FUEL EVAPORATION SYSTEM (T06-S098-0009)

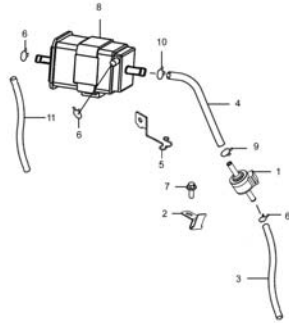


Fig. 11 AIR CLEANER (T06-S100-0007)

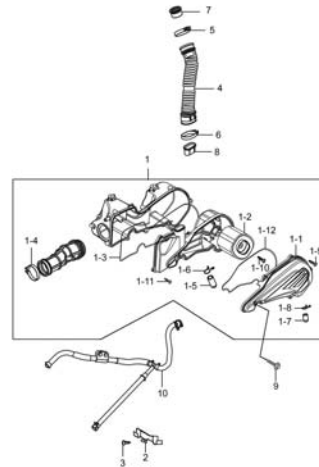


Fig. 12 MUFFLER (T06-S110-0017)

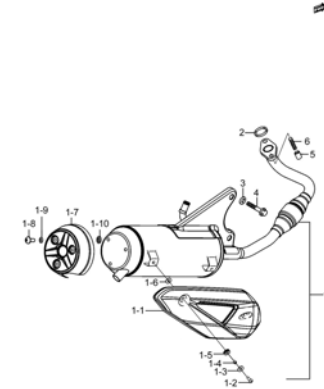


Fig. 13 2ND AIR VALVE (T06-S120-0005)

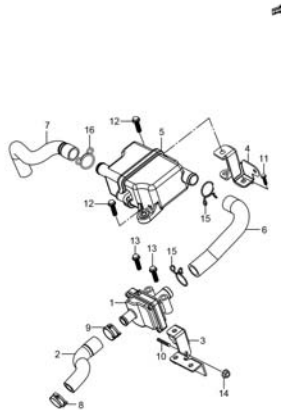


Fig. 14 OIL PUMP (T06-S130-0014)

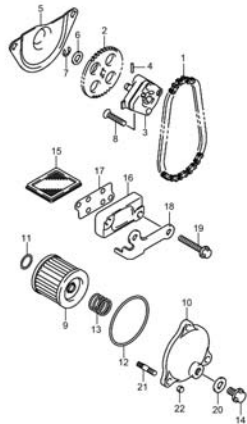


Fig. 15 COOLING FAN (T06-S135-0003)

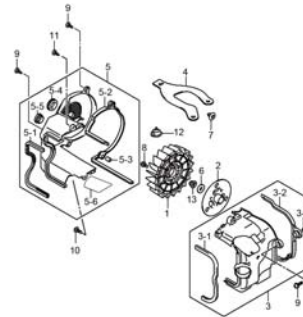


Fig. 16 TRANSMISSION(1) (T06-S153-0013)

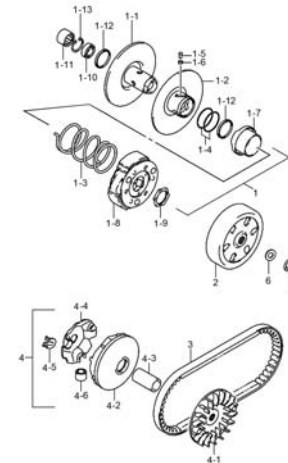


Fig. 17 TRANSMISSION(2) (T06-S154-0010)

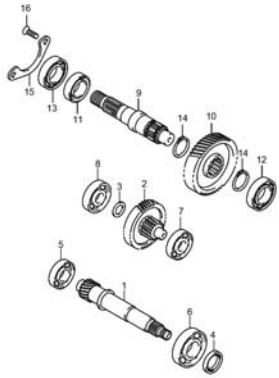


Fig. 18 KICK STARTER (T06-S165-0001)

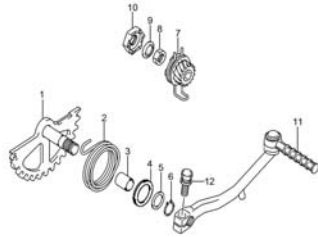


Fig. 19 STARTING MOTOR (T06-S170-0001)

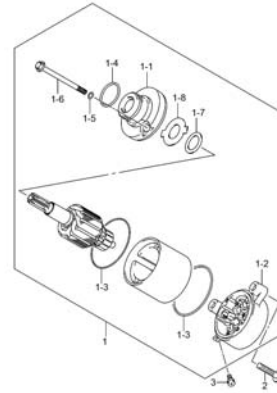


Fig. 20 MAGNETO (T06-S180-0004)

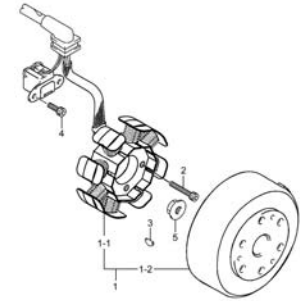


Fig. 21 BATTERY (T06-S190-0013)

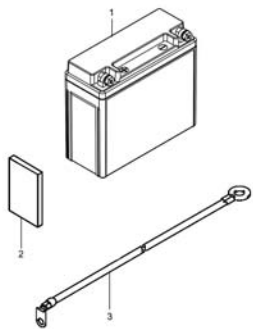


Fig. 22 ELECTRICAL (T06-S200-0016)

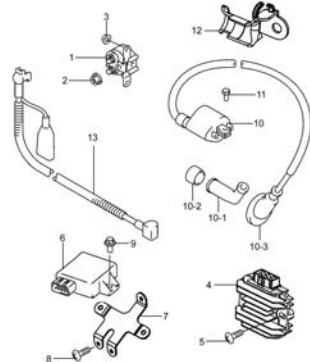


Fig. 23 SPEEDOMETER (T06-S210-0016)

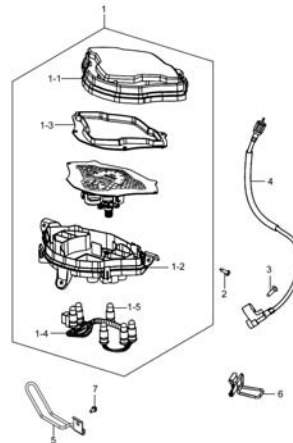


Fig. 24 HEADLAMP (T06-S220-0023)

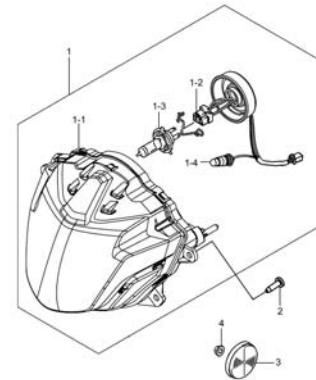


Fig. 25 TURN SIGNAL LAMP (T06-S230-0012)

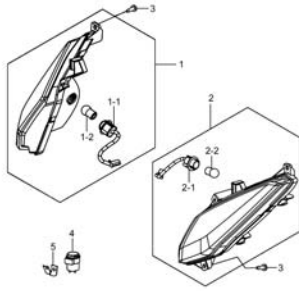


Fig. 26 REAR COMBINATION LAMP (T06-S240-0012)

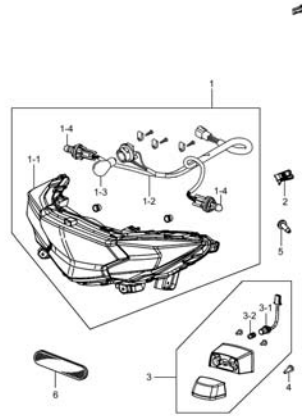


Fig. 27 WIRING HARNESS (T06-S250-0048)

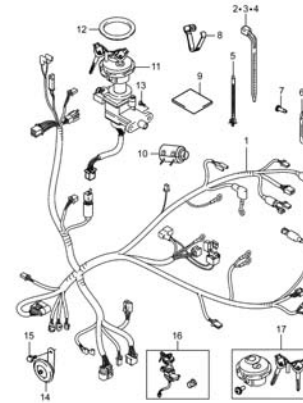


Fig. 28 FRAME (T06-S260-0077)

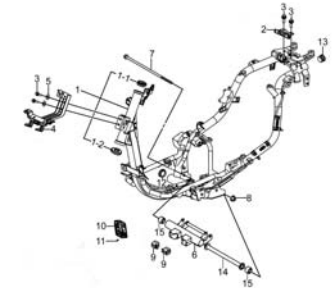


Fig. 29 STAND (T06-S270-0009)

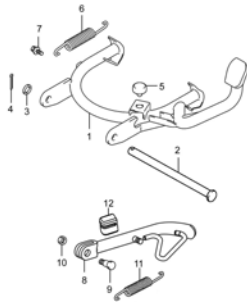


Fig. 30 FOOTREST (T06-S280-0003)

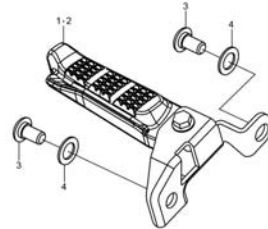


Fig. 31 REAR LEG SHIELD (T06-S285-0016)



Fig. 32 FUEL TANK (T06-S290-0018)

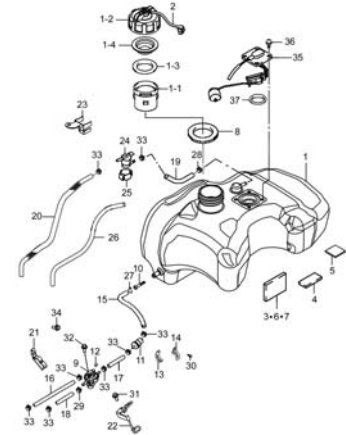


Fig. 33 LEG SHIELD (T06-S305-0072)

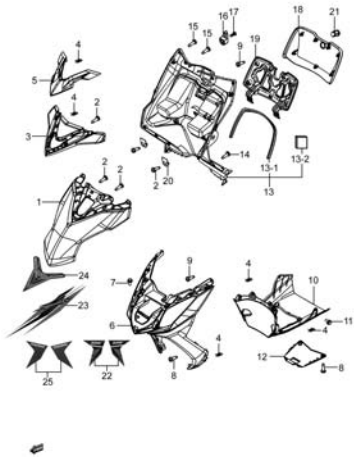


Fig. 34 FRAME COVER (T06-S310-0037)

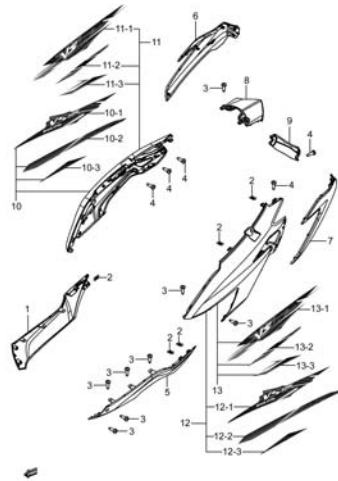


Fig. 35 FRONT FENDER (T06-S320-0012)

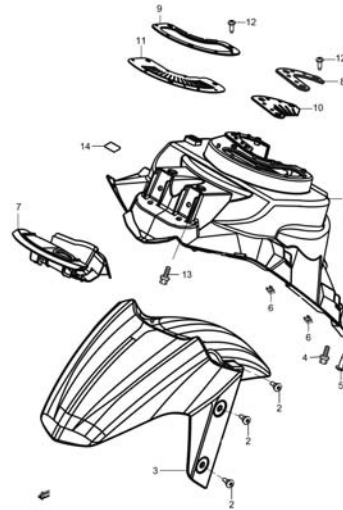


Fig. 36 HANDLEBAR (T06-S330-0036)

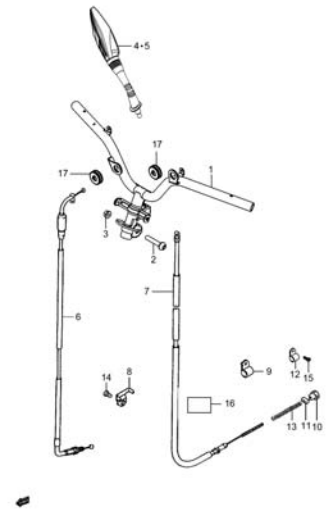


Fig. 37 HANDLE SWITCH (T06-S340-0020)

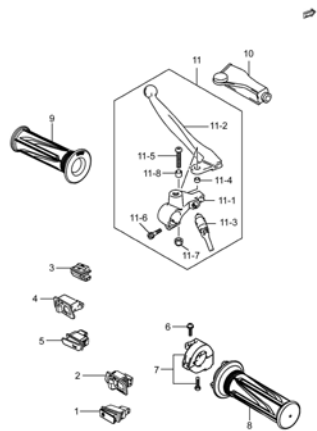


Fig. 38 REAR FENDER (T06-S350-0015)

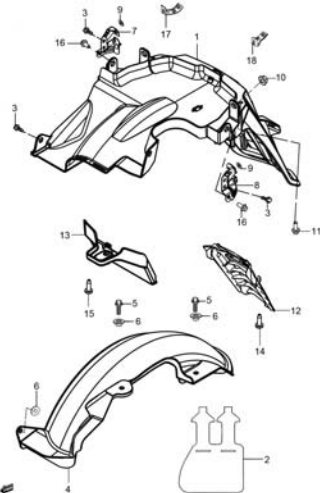


Fig. 39 HANDLE COVER (T06-S365-0017)

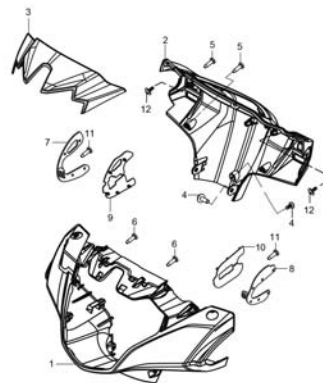


Fig. 40 LABEL (T06-S370-0027)

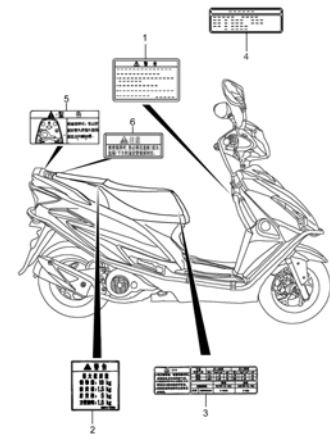


Fig. 41 SEAT (T06-S380-0018)

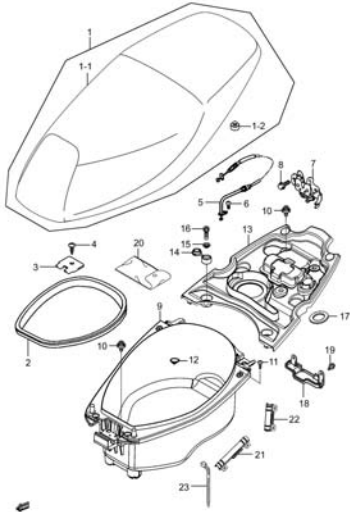


Fig. 42 STEERING STEM (T06-S400-0014)

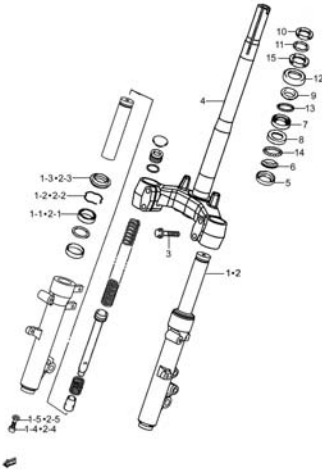


Fig. 43 FRONT WHEEL (T06-S410-0020)

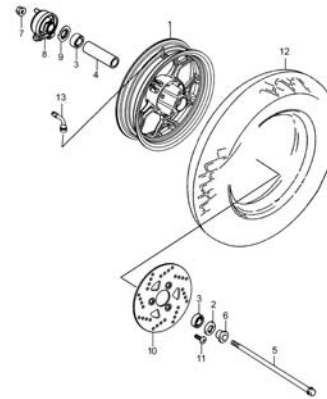


Fig. 44 FRONT CALIPER (T06-S420-0008)

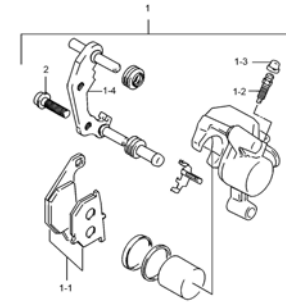


Fig. 45 FRONT BRAKE CYLINDER (T06-S430-0003)

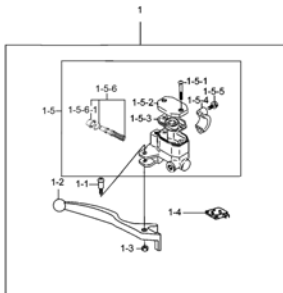


Fig. 46 HOSE, FRONT BRAKE (T06-S435-0020)

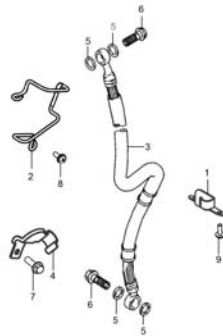


Fig. 47 REARSHOCK ABSORBER (T06-S450-0012)

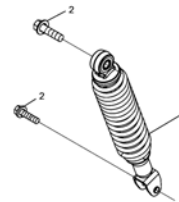


Fig. 48 REAR WHEEL (T06-S460-0027)

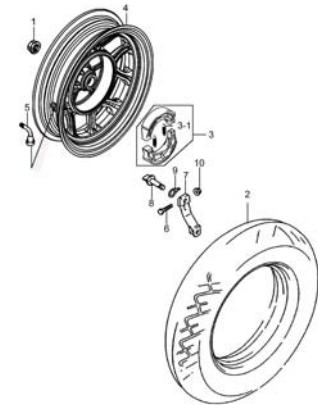
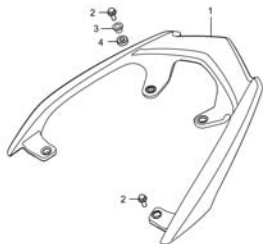




Fig. 49 CARRIER (T06-S480-0011)



1



Fig.1

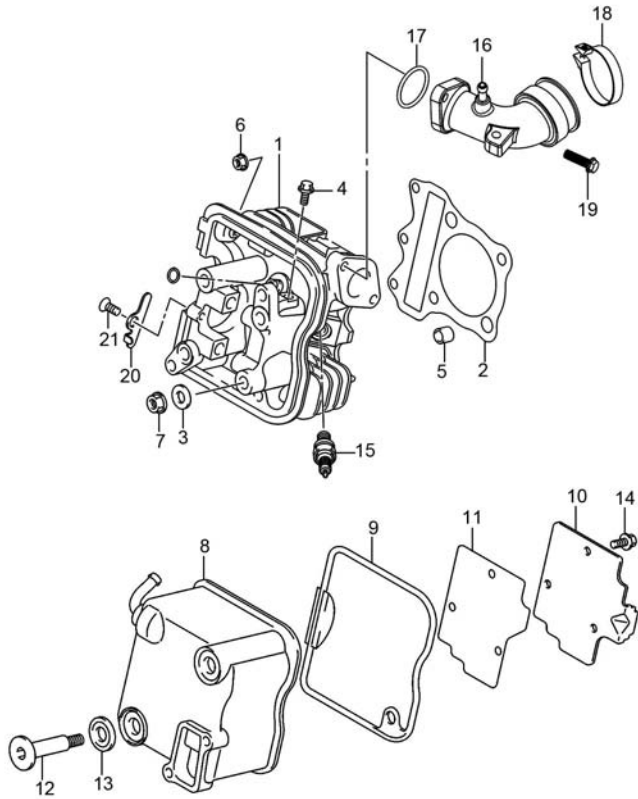


Fig.1 CYLINDER HEAD&CYLINDER HEAD COVER (T06-S010-0020)

REF. No.	PART No.	DESCRIPTION	Q'TY	REMARKS
1	11110-33GE0-000	HEAD COMP, CYLINDER	1	
2	11141H33G00H000	GASKET, CYLINDER HEAD	1	
3	09160-08039-000	WASHER, PLAIN	4	
4	01547-0610A-000	BOLTS, HEXAGON HEAD FLANGE	1	
5	04211-11129-000	PIN, CYLINDER HEAD	2	
6	08316-1006A-000	NUT	3	
7	08316-1008A-000	HEXAGON FLANGE NUT	4	
8	11170-33GD0-000	COVER COMP, CYLINDER HEAD	1	
9	11173-33G50-000	GASKET, CYL HEAD COVER	1	
10	11176-33G00-000	PLATE, BREATHER	1	
11	11177-33G00-000	GASKET, BREATHER PALTE	1	
12	09106-07011-000	BOLT	2	
13	11191-27E80-000	WASHER, CYL HEAD COVER	2	
14	01550-0510A-000	HEXAGON BOLT WITH FLANGE	3	
15	09482-00406-000	SPARK PLUG	1	
16	13110H21J20H000	PIPE COMP, INTAKE	1	
17	09280H28002H000	O-RING	1	
18	09402-40202-000	CLAMP	1	
19	01547-0620A-000	BOLT	2	
20	12862-33G00-000	RETAINER, CAMSHAFT COMP	1	
21	02122-0612A-000	SCREW	1	

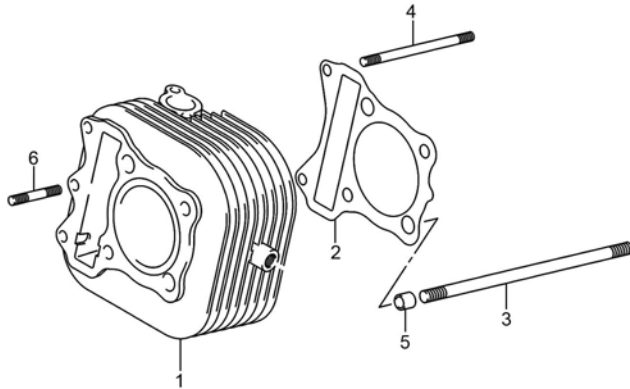
2



Fig. 2

**Fig.2 CYLINDER (T06-S020-0006)**

REF. No.	PART No.	DESCRIPTION	Q' TY	REMARKS
1	11210-33GF0-0F0	CYLINDER COMP	1	
2	11241-33G00-000	GASKET, CYLINDER	1	
3	09108-08299-000	BOLT, STUD	4	
4	01421-0695A-000	STUD BOLT	2	
5	04211-11129-000	PIN, CYLINDER HEAD	2	
6	01421-0630A-000	STUD BOLT	1	



2



Fig. 3

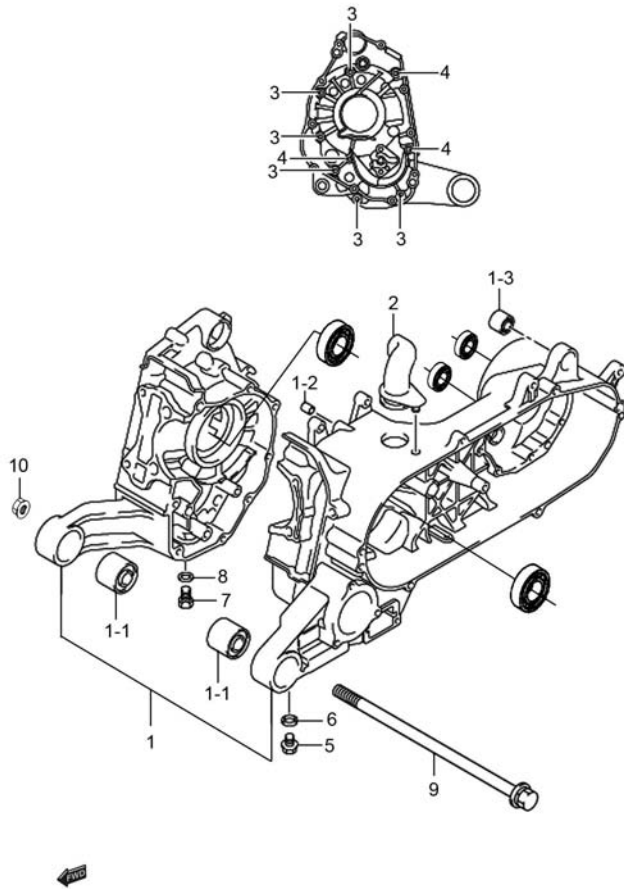


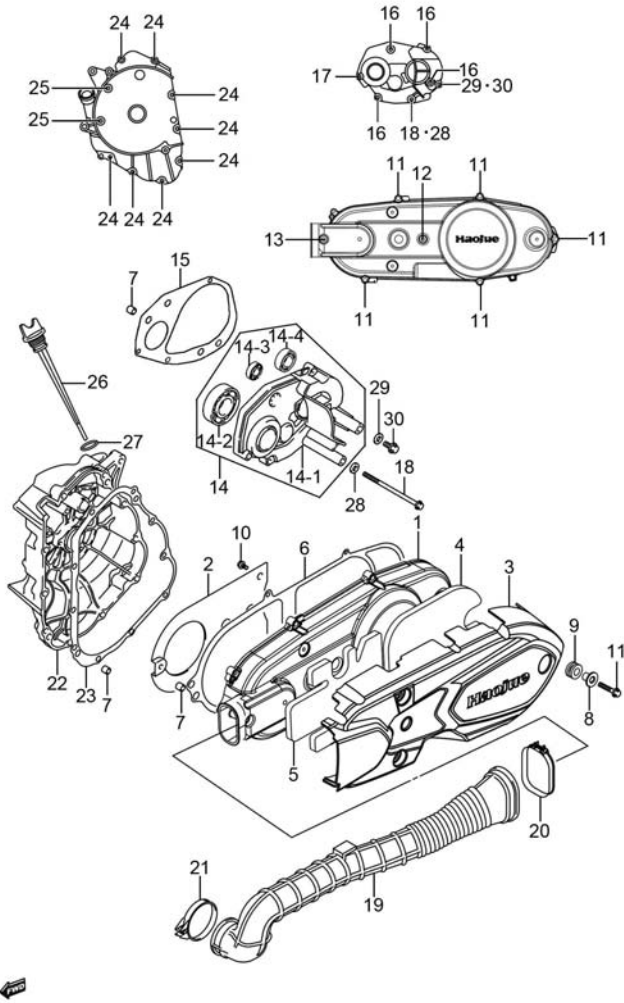
Fig.3 CRANKCASE (T06-S030-0006)

REF. No.	PART No.	DESCRIPTION	Q'TY	REMARKS
1	11300H25Y50H000	CRANKCASE SET	1	
1-1	11315H33G20H000	BUSH, ENG MTG	2	
1-2	09206-08001-000	PIN, CAMSHAFT HOUSING KNOCK	2	
1-3	09319-10032-000	BUSH, REAR SHOCK ABS	1	
2	11325-33GA0-000	TUBE, CRANKCASE	1	
3	01547-0655A-000	HEXAGON BOLT WITH FLANGE	6	
4	01547-0675A-000	BOLT	3	
5	01550-0812A-000	HEXAGON BOLT WITH FLANGE	1	
6	09168-08008-000	GASKET	1	
7	01500-1016A-000	HEXAGON HEAD BOLT	1	
8	09168-10L01-000	GASKET	1	
9	09103H12003H000	BOLT	1	
10	08316-1012A-000	NUT	1	

2

Fig. 4

Fig.4 CRANKCASE COVER (T06-S040-0024)



REF. No.	PART No.	DESCRIPTION	Q' TY	REMARKS
1	11340H7A010H000	COVER COMP, CLUTCH	1	
2	11346-33G00-000	PLATE, CLUTCH COVER AIR INTAKE	1	
3	11371H7H000H000	COVER, CLUTCH OUTER	1	
4	11375H7A000H000	CUSHION, CLUTCH COVER OUTER NO. 1	1	
5	11376H7A000H000	CUSHION, CLUTCH COVER OUTER NO. 2	1	
6	11482H33G00H000	GASKET, CLUTCH COVER	1	
7	09206-08001-000	PIN, CAMSHAFT HOUSING KNOCK	6	
8	09169-06086-000	WASHER	3	
9	09320-09050-000	CUSHION	3	
10	01547-0612A-000	HEXAGON BOLT WITH FLANGE	3	
11	01547-06257-000	BOLT	8	
12	01547-06307-000	BOLT, STG MOT	1	
13	01547-06607-000	BOLT, CRANKCASE	1	
14	11400H25Y01H000	GEAR BOX COVER COMP	1	
14-1	11431-33G01-000	COVER, GEAR BOX	1	
14-2	09262-20151-000	BEARING	1	
14-3	08113-60010-000	BEARING, COUNTERSHAFT LH	1	
14-4	08110-62030-000	BEARING, AXLE SHAFT, L	1	
15	11484-33G00-000	GASKET, GEAR BOX COVER	1	
16	01547-0625A-000	BOLT	4	
17	01547-0635A-000	BOLT	1	
18	01547-0695A-000	HEXAGON BOLT WITH FLANGE	1	
19	11381-33GA0-000	HOS, BELT COOLING	1	
20	11385H33GB0H000	CLAMP, BELT COOLING HOSE	1	
21	09402-40202-000	CLAMP	1	
22	11351H21J00H000	COVER, CRANKSHAFT R	1	
23	11483-33G00-000	GASKET CRANKSHAFT COVER, R (NA)	1	
24	01547-0630A-000	BOLT	8	
25	01547-0660A-000	BOLT	2	

Fig. 4

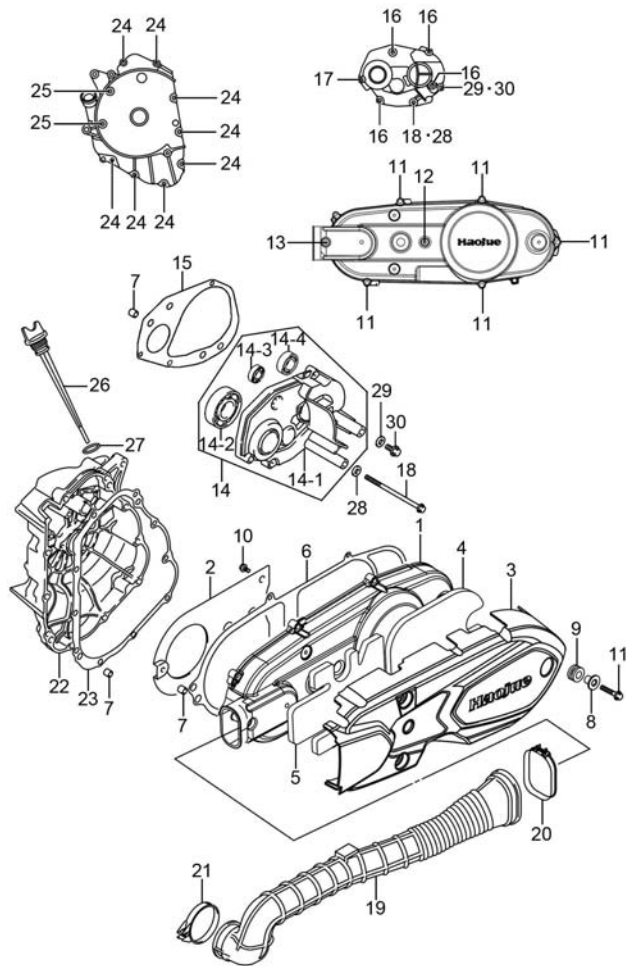


Fig.4 CRANKCASE COVER (T06-S040-0024)

REF. No.	PART No.	DESCRIPTION	Q' TY	REMARKS
26	11971H33G01H000	GAUGE, OIL LEVEL	1	
27	09280-17003-000	O-RING, ENG OIL FILLER PLUG	1	
28	09168-06018-000	GASKET	1	
29	09168-08008-000	GASKET	1	
30	01550-0812A-000	HEXAGON BOLT WITH FLANGE	1	

2

Fig. 5

2

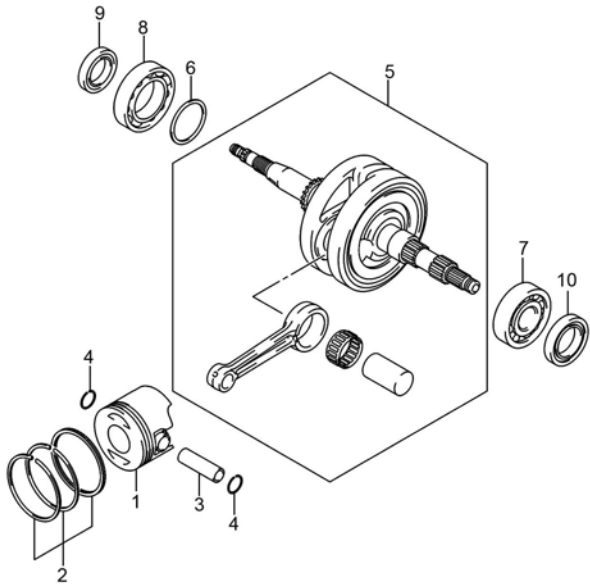


Fig.5 CRANKSHAFT (T06-S050-0016)

REF. No.	PART No.	DESCRIPTION	Q' TY	REMARKS
1	12111-28G10-0F0	PISTON	1	
2	12140H20G80H000	RING SET, PISTON	1	
3	12151-20G00-000	PIN, PISTON	1	
4	09381-14001-000	CIRCLIP	2	
5	12200H33G01H000	CRANKSHAFT ASSY	1	
6	09181-35025-000	SHIM, CRANKSHAFT ASSY	1	
7	09262-25143-000	BEARING	1	
8	09262-35080-000	BEARING	1	
9	09283H22001H000	SEAL, OIL	1	
10	09283H25007H000	SEAL, OIL	1	



Fig. 6

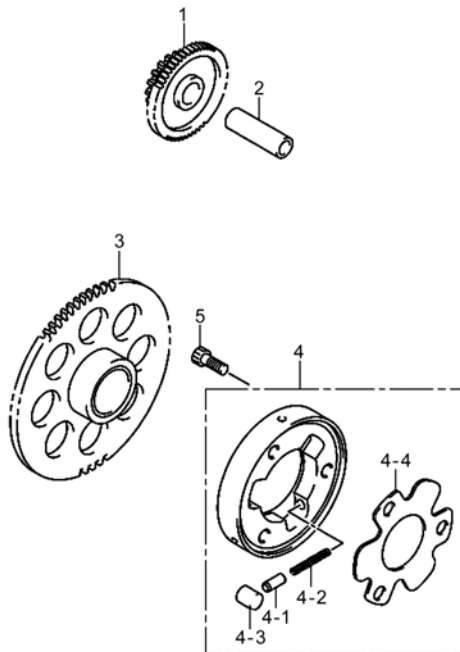


Fig.6 STARTER CLUTCH (T06-S060-0004)

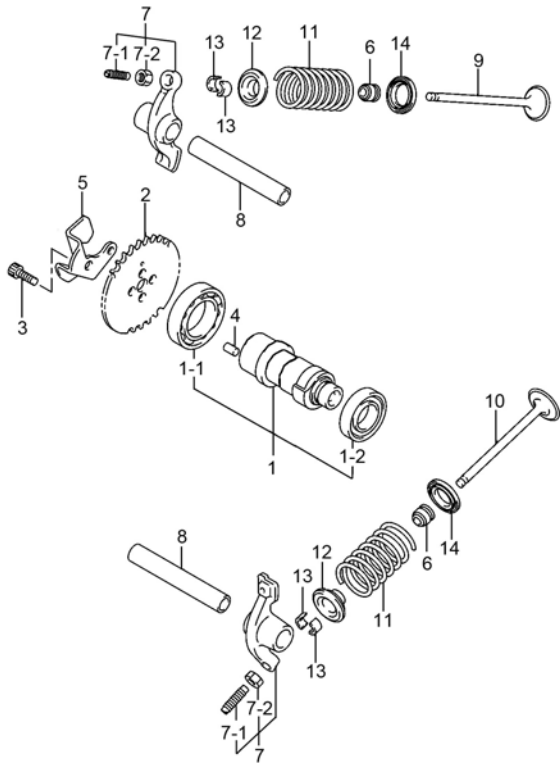
REF. No.	PART No.	DESCRIPTION	Q' TY	REMARKS
1	12611-33G00-000	GEAR, STARTER IDLE	1	
2	09206-13007-000	PIN	1	
3	12620-33G20-000	GEAR COMP, STARTER CLUTCH	1	
4	12065H33GA0H000	HUB SET, STARTER CLUTCH	1	
4-1	12633-20E00-000	PIECE, STARTER CLUTCH RLR PUSH	3	
4-2	09440-03013-000	SPRING	3	
4-3	09261-10004-000	ROLLER, STARTER CLUTCH	3	
4-4	12649-30D00-000	SHIM, STARTER CLUTCH HUB	1	
5	07130-0616A-000	HEXAGON SOCKET HEAD CAP SCREW	3	

2

Fig. 7

Fig.7 CAMSHAFT-VALVE (T06-S070-0006)

REF. No.	PART No.	DESCRIPTION	Q' TY	REMARKS
1	12710-33GA0-000	CAMSHAFT COMP	1	
1-1	09262-15037-000	BEARING	1	
1-2	08113-69050-000	BALL BEARING	1	
2	12741H7A000H000	SPROCKET, CAMSHAFT	1	
3	09106-05028-000	BOLT, SPROCKET	2	
4	09261-05005-000	ROLLER	1	
5	12954-33G00-000	STOPPER, DECOMP CAM	1	
6	09289H05021H000	SEAL, OIL	2	
7	12840-33GA0-000	ARM COMP, VALVE ROCKER	2	
7-1	12842-49260-000	SCREW, TAPPET ADJUSTING	1	
7-2	12843-39J30-000	NUT, TAPPET ADJUSTING	1	
8	12861-33G00-000	SHAFT, VALVE ROCKER ARM	2	
9	12911-28G50-000	VALVE, INTAKE	1	
10	12912-33G50-000	VALVE, EXHAUST	1	
11	12921-36H00-000	SPRING, VALVE	2	
12	12931-09G10-000	RETAINER, VAVLE SPRING	2	
13	12932-36H00-000	COTTER, VALVE	4	
14	12933-09G10-000	SEAT, VALVE SPRING	2	

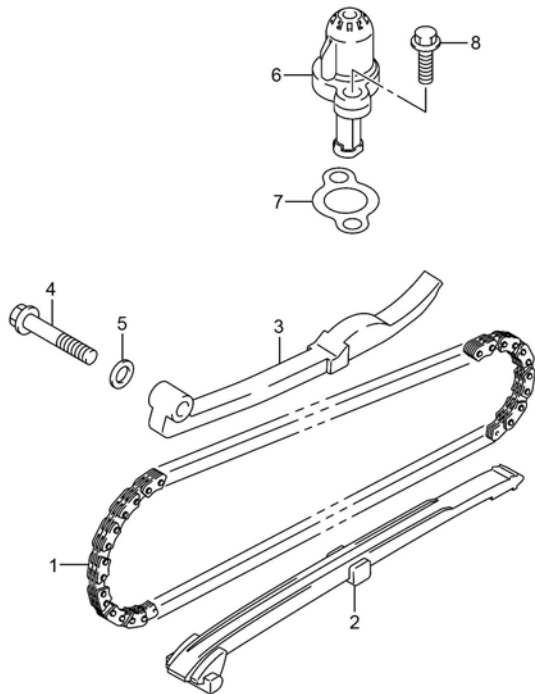


2



Fig. 8

Fig.8 CAM CHAIN (T06-S080-0013)



REF. No.	PART No.	DESCRIPTION	Q' TY	REMARKS
1	12760-36H00-000	CHAIN COMP, CAMSHAFT DRIVE	1	
2	12771H7A010H000	GUIDE, CAM CHAIN	1	
3	12811H7A010H000	TENSIONER, CAM CHAIN	1	
4	09103-06247-000	BOLT, CAM CHAIN TENSIONER	1	
5	09168-06004-000	GASKET	1	
6	12830H33G00H000	ADJUSTER ASSY, TENSIONER	1	
7	12837H33G50H000	GASKET, TENSIONER ADJUSTER	1	
8	01547-0620A-000	BOLT	2	

2



Fig. 9

2

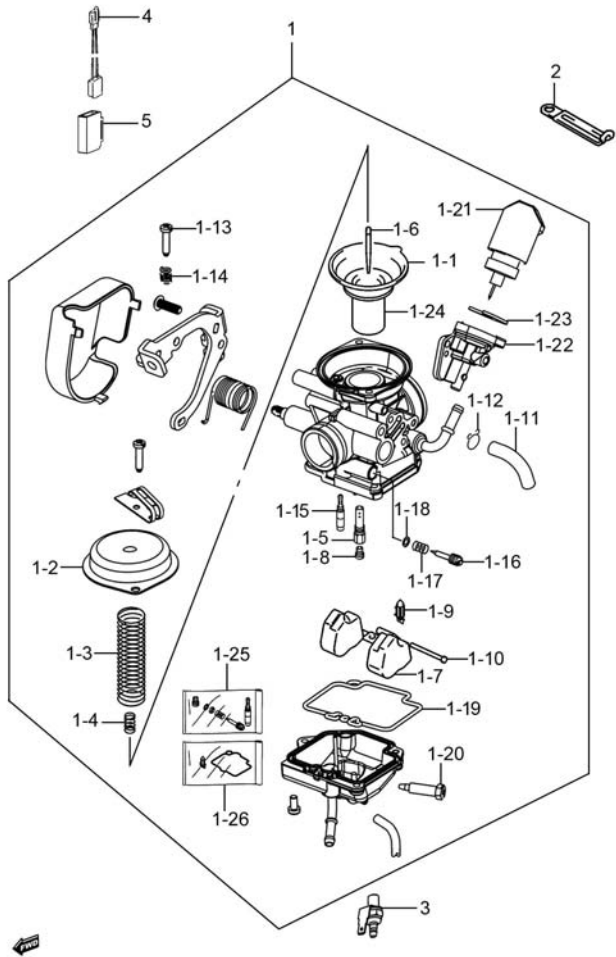


Fig.9 CARBURETOR (T06-S090-0004)

REF. No.	PART No.	DESCRIPTION	Q' TY	REMARKS
1	13200H7A002H000	CARBURETOR ASSY	1	
1-1	13500H82300H000	VALVE ASSY	1	
1-2	13257H82300H000	COVER	1	
1-3	13503-21JA0-000	PISTON VALVE SPRING	1	
1-4	13388H82300H000	COMPRESSION SPRING	1	
1-5	13342-21JA0-000	JET HOLDER	1	
1-6	13383H7A000H000	JET NEEDLE	1	
1-7	13250H50100H000	FLOAT	1	
1-8	09491H92030H000	JET, MAIN	1	
1-9	13370H50100H000	NEEDLE SET, FLOAT	1	
1-10	13231H50100H000	PIN, FLOAT	1	
1-11	13686-21JA0-000	BALANCE HOSE, CARBURETOR	1	
1-12	09401H82300H000	CLIP	1	
1-13	13267H50100H000	BOLT	1	
1-14	13268H50100H000	SPRING	1	
1-15	09492-34005-000	JET, PILOT	1	
1-16	13279H82300H000	ADJUSTER	1	
1-17	13264H50100H000	SPRING	1	
1-18	13263H50100H000	WASHER	1	
1-19	13251H50100H000	GASKET, FLOAT CHAMBER	1	
1-20	13221H50100H000	SCREW, DRAIN	1	
1-21	13430H7A000H000	AUTO-BY-ST ASSY	1	
1-22	13432H7A000H000	STARTER BODY	1	
1-23	13421H82300H000	BY-ST BINDER	1	
1-24	13551H82300H000	VALVE, PISTON	1	
1-25	09400H87Y10H000	MAINTENANCE KIT FOR SEALED PARTS	1	
1-26	13300H73Y00H000	MAINTENANCE KIT FOR PERFORMANCE	1	
2	09404-06038-000	CLAMP	1	
3	13650-26H10-000	HEATER ASSY, CARBURETOR	1	

Fig.9

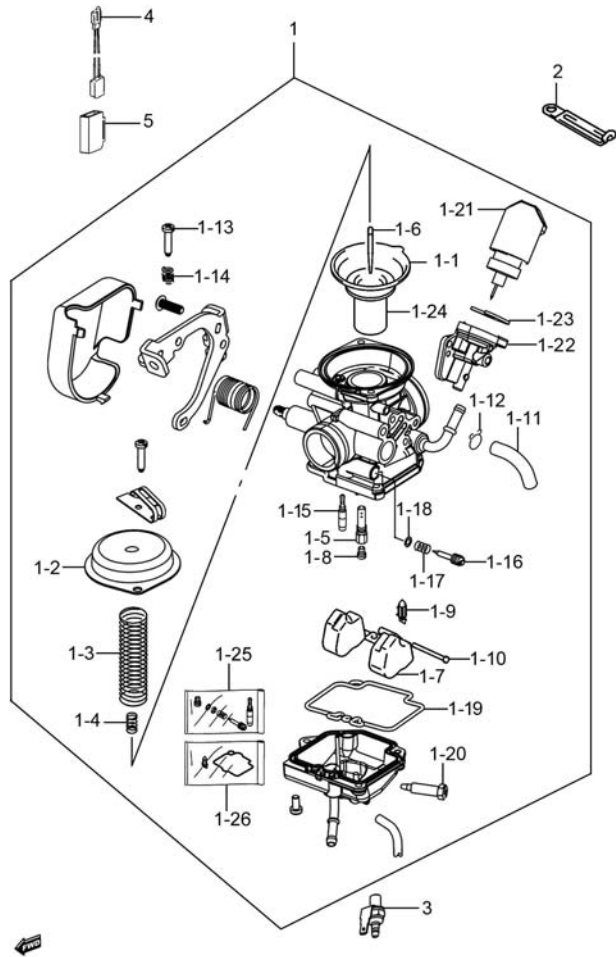


Fig.9 CARBURETOR (T06-S090-0004)

REF. No.	PART No.	DESCRIPTION	Q'TY	REMARKS
4	13655-26H10-000	THERMOSWITCH COMP, CARB HEATER	1	
5	13656-21JA0-000	CUSHION, THERMO SWITCH	1	

2



Fig.11

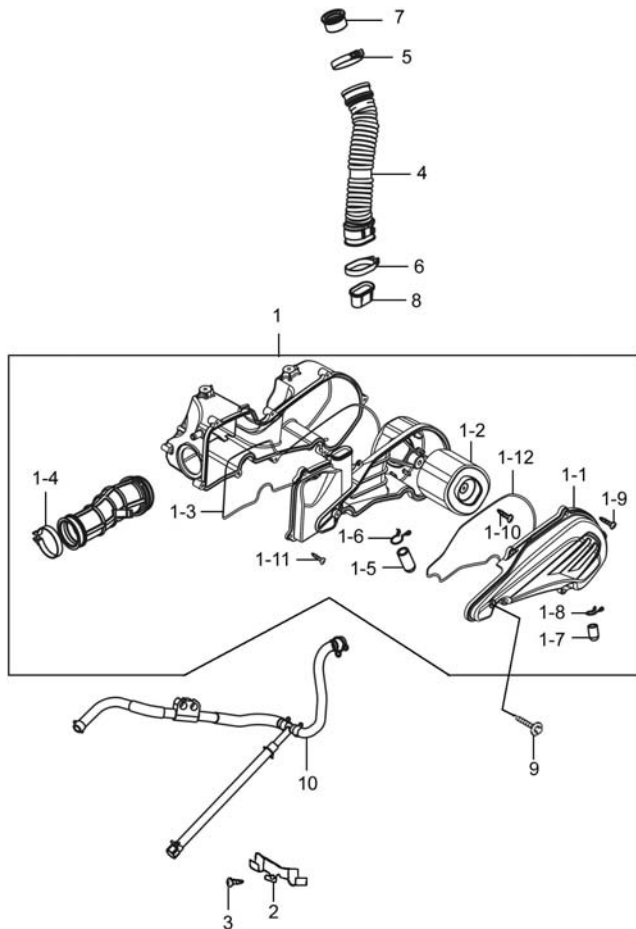


Fig.11 AIR CLEANER (T06-S100-0007)

REF. No.	PART No.	DESCRIPTION	Q'TY	REMARKS
1	13700H7A005H000	CLEANER ASSY, AIR	1	
1-1	13741H7A001H000	CAP, AIR CLNR	1	
1-2	13780H7A001H000	FILTER COMP, AIR CLNR	1	
1-3	13726-33G90-000	GASKET, AIR CLNR CASE NO. 2	1	
1-4	09402-44203-000	CLAMP	1	
1-5	13871-33GB0-000	TUBE, DRAIN	1	
1-6	09401H14401H000	CLIP	1	
1-7	13863H85100H000	TUBE, DRAIN	1	
1-8	09401H12302H000	CLIP	1	
1-9	02142-0516B-000	CROSS RECESSED HEAD SCREW	6	
1-10	02112-3512B-000	CROSS RECESSED HEAD SCREW	1	
1-11	03541-0520B-000	CROSS RECESSED HEAD TAPPING SCREW	6	
1-12	13725-33G90-000	GASKET, AIR CLNR CASE NO. 1	1	
2	13857-33GB0-000	CLAMP, AIR CLNR BREATHER HOSE	1	
3	02112-0612B-000	SCREWS, CROSS RECESSED HEAD	1	
4	13891H7A000H000	TUBE, AIR CLEANER INLET	1	
5	13899-33GE0-000	CLAMP, INLET TUBE UPPER	1	
6	13898-33GE0-000	CLAMP, INLET TUBE LOWER	1	
7	13893H7A000H000	CUSHION, INLET SEAL	1	
8	13894-33GF0-000	ORIFICE, INLET	1	
9	09116-06171-000	BOLT WITH WASHER	2	
10	13850H7A002H000	HOSE COMP, BREATHER	1	

2

Fig. 12

2

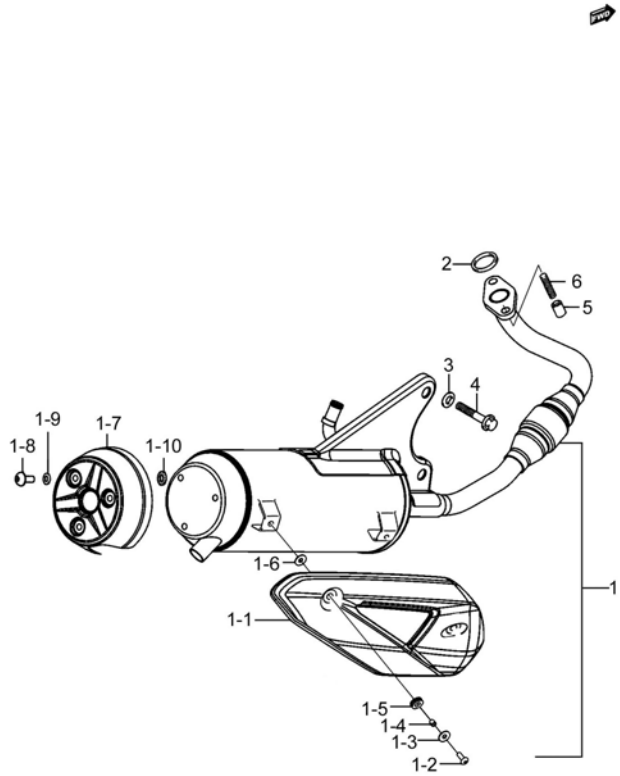


Fig.12 MUFFLER (T06-S110-0017)

REF. No.	PART No.	DESCRIPTION	Q' TY	REMARKS
1	14036H7H010H000	MUFFLER SET	1	
1-1	14791H7H000H000	COVER, MUF BODY	1	
1-2	09139-06028-000	SCREW	2	
1-3	09160-06164-000	WASHER, PLAIN	2	
1-4	09180H06336H000	SPACER	2	
1-5	09320H10023H000	CUSHION	2	
1-6	09168H06002H000	GASKET	2	
1-7	14792H7H000H000	COVER, MUF TAIL	1	
1-8	09106H06006H000	BOLT, HEXAGON SOCKET HEAD	3	
1-9	09160-06159-000	WASHER, PLAIN	3	
1-10	09168-06122-000	WASHER, MUF COVER INSULATOR	3	
2	14181-33G00-000	GASKET, EXH PIPE	1	
3	09160-10143-000	WASHER, PLAIN	2	
4	01550-1040A-000	BOLT, HEXAGON HEAD FLANGE	2	
5	09159-08158-000	NUT	2	
6	01421-0816A-000	STUD BOLT	2	



Fig. 13

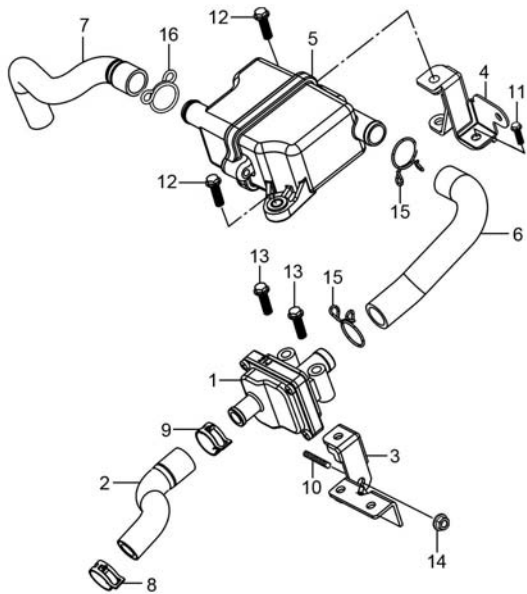


Fig.13 2ND AIR VAVLE (T06-S120-0005)

REF. No.	PART No.	DESCRIPTION	Q' TY	REMARKS
1	18450-34H10-000	VALVE ASSY, 2ND AIR REED	1	
2	18461H7A000H000	HOSE, 2ND AIR VALVE	1	
3	18611-21J00-000	BRACKET, 2ND AIR VALVE	1	
4	18612-21J00-000	BRACKET, 2ND AIR VALVE	1	
5	18700H21J00H000	CLEANER ASSY, 2ND AIR	1	
6	18711-21J00-000	HOSE, 2ND AIR CLNR NO. 1	1	
7	18712-21J00-000	HOSE, 2ND AIR CLNR NO. 2	1	
8	09401-18417-000	CLIP	1	
9	09401-20404-000	CLAMP	1	
10	01421-0616A-000	BOLT, STUD	1	
11	01550-0612A-000	BOLT	2	
12	01550-0620A-000	BOLTS, HEXAGON HEAD FLANGE	2	
13	01550-0640A-000	BOLT	2	
14	08316-1006A-000	NUT	1	
15	09401-21408-000	CLIP	2	
16	09401-20403-000	CLIP	1	

2

Fig. 14

2

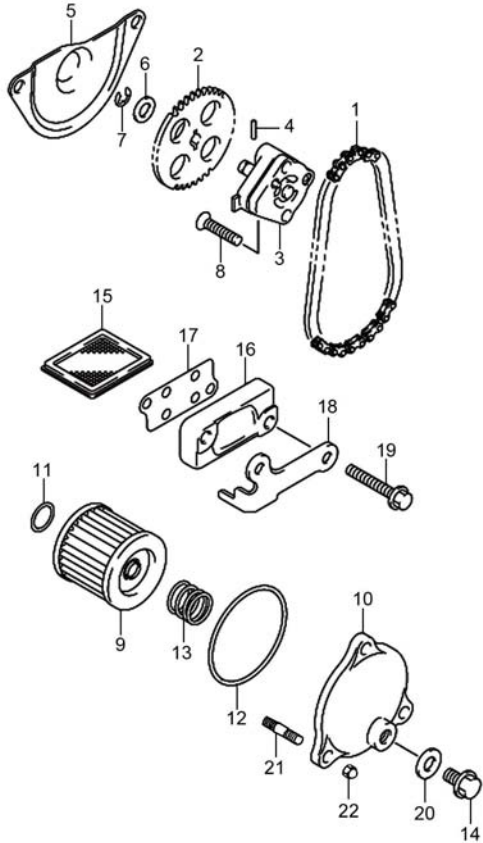


Fig.14 OIL PUMP (T06-S130-0014)

REF. No.	PART No.	DESCRIPTION	Q'TY	REMARKS
1	16310H33GB0H000	CHAIN ASSY, OIL PUMP DRIVE	1	
2	16331-33G00-000	SPROCKET, OIL PUMP DRIVEN	1	
3	16400-33G00-000	PUMP ASSY, OIL	1	
4	16421-20E00-000	PIN, OIL PUMP DRIVEN	1	
5	16422-33G00-000	COVER, OIL PUMP	1	
6	16422-20E00-000	WASHER, OIL PUMP DRIVEN	1	
7	09383-05001-000	E-RING	1	
8	02122-0625A-000	CROSS RECESSED COUNTERSUNK HEAD SCREW	2	
9	16510-26H00-000	FILTER COMP, ENG OIL	1	
10	16512-33G00-000	CAP, OIL FILTER	1	
11	09280-13004-000	O-RING, OIL FILTER	1	
12	09280-54001-000	O-RING, OIL FILTER CAP	1	
13	09440-18002-000	SPRING, OIL FILTER CAP	1	
14	01550-0812B-000	BOLT	1	
15	16520-09410-000	STRAINER COMP, ENGINE OIL	1	
16	16523-20E00-000	CAP, OIL STRAINER	1	
17	16524-20E20-000	GASKET, OIL STRAINER CAP	1	
18	16525-33G00-000	GUARD, OIL STRAINER CAP	1	
19	01547-0625A-000	BOLT	2	
20	09168-08008-000	GASKET	1	
21	01421-0612A-000	STUD BOLT	3	
22	08313-10067-000	NUT, OIL FILTER CAP	3	

Fig. 15

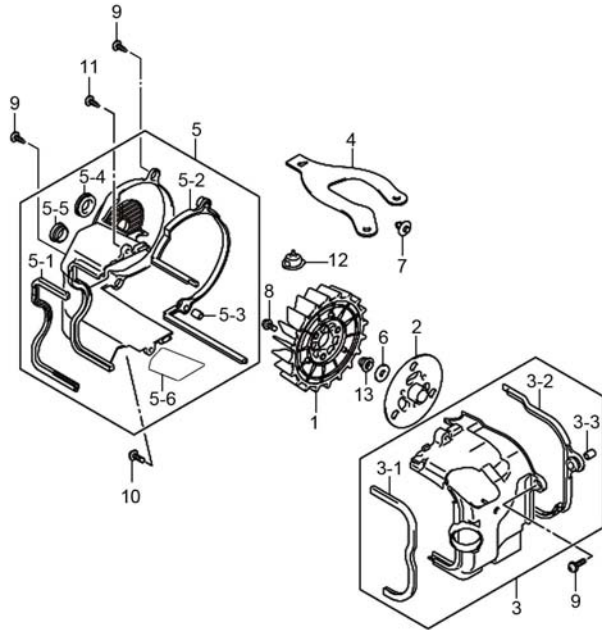


Fig.15 COOLING FAN (T06-S135-0003)

REF. No.	PART No.	DESCRIPTION	Q'TY	REMARKS
1	17110-33G00-000	FAN COMP, COOLING	1	
2	17116-33G00-000	HOLDER, COOLING FAN	1	
3	17120H7A000H000	COWLING COMP, CYLINDER	1	
3-1	17122-33G00-000	MOLD, CYLINDER COWLING	1	
3-2	17123-33G00-000	DAMPER, CYLINDER COWLING	1	
3-3	17134-20E00-000	SPACER, FAN COWLING	1	
4	17125H33G20H000	COVER, INTAKE PIPE HOLE	1	
5	17130-33GF0-000	COWLING COMP, FAN	1	
5-1	17132-33G00-000	MOLD, FAN COWLING	1	
5-2	17133-33G00-000	DAMPER, FAN COWLING	1	
5-3	17134-20E00-000	SPACER, FAN COWLING	2	
5-4	17136-20E00-000	PLUG, COWLING FAN	1	
5-5	09250-30021-000	PLUG	1	
5-6	17139-33G00-000	SHIELD, FAN COWLING HEAT	1	
6	09168-10017-000	GASKET	1	
7	09409-07333-000	CLIP	1	
8	01550-0612A-000	BOLT	3	
9	02112-1625A-000	CROSS RECESSED HEAD SCREW	3	
10	03541-0620A-000	CROSS RECESSED HEAD TAPPING SCREW	1	
11	02112-0520A-000	SCREW	1	
12	17124-33G10-000	CAP, TENSIONER ADJUSTER	1	
13	08313-2010A-000	DOMED CAP	1	

2



Fig. 16

2

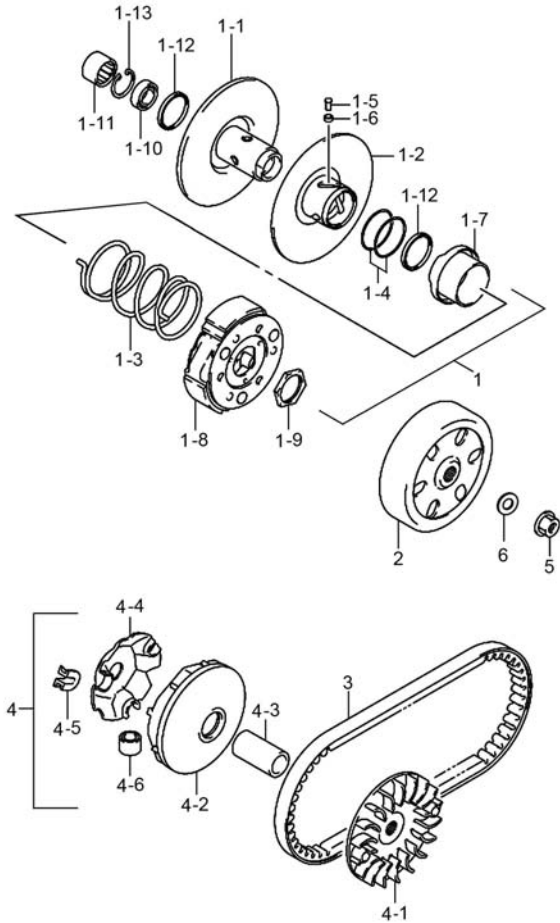


Fig.16 TRANSMISSION(1) (T06-S153-0013)

REF. No.	PART No.	DESCRIPTION	Q' TY	REMARKS
1	21200-41H00-000	FACE ASSY, DRIVEN	1	
1-1	21210-41H00-000	FACE COMP, FIXED DRIVEN	1	
1-2	21240-33G01-000	FACE COMP, MOVABLE DRIVEN	1	
1-3	21243-33G00-000	SPRING, MOVABLE DRIVEN	1	
1-4	21245-33G00-000	O-RING	2	
1-5	21248-33G00-000	PIN, MOVABLE DRIVEN	3	
1-6	21249-33G00-000	SPACER, MOVABLE DRIVEN PIN	3	
1-7	21471-33G00-000	SHEET, MOVABLE DRIVEN	1	
1-8	21501-41H00-000	CLUTCH ASSY, SHOE	1	
1-9	09140-28004-000	NUT	1	
1-10	09262-15051-000	BEARING	1	
1-11	09263-20105-000	BEARING	1	
1-12	09284-34003-000	SEAL, MOVABLE DRIVEN OIL	2	
1-13	09381-24005-000	CIRCLIP, FIXED DRIVEN	1	
2	21220-41H00-000	HOUSING COMP, CLUTCH	1	
3	27601-21J10-000	V-BELT, DRIVE	1	
4	21011H33GBOH000	TRANSMISSION DRIVE SET	1	
4-1	21111-33G00-000	FACE, FIXED DRIVE	1	
4-2	21120-33G00-000	FACE, MOVABLE DRIVE	1	
4-3	21125-33G00-000	SPACER, MOVABLE DRIVE	1	
4-4	21431-33G00-000	PLATE, MOVABLE DRIVE	1	
4-5	21481-33G40-000	DAMPER, MOVABLE DRIVE PLATE	3	
4-6	21650-33G80-000	ROLLER COMP, MOVABLE DRIVE	6	
5	09140-12039-000	NUT	1	
6	09164-12020-000	GASKET	1	

Fig. 17

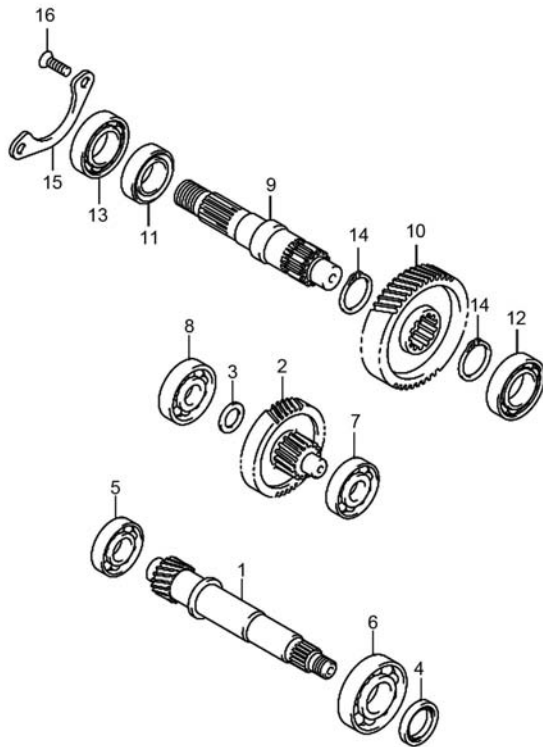


Fig.17 TRANSMISSION(2) (T06-S154-0010)

REF. No.	PART No.	DESCRIPTION	Q' TY	REMARKS
1	24131-33G10-000	SHAFT, DRIVE	1	
2	24150-33G10-000	SHAFT COMP, IDLE	1	
3	09181-12167-000	GASKET	1	
4	09283H20010H000	SEAL, OIL	1	
5	08110-62020-000	BEARING, DRIVE SHAFT	1	
6	09262-20151-000	BEARING	1	
7	08113-60010-000	BEARING, COUNTERSHAFT LH	1	
8	08113-62010-000	BEARING, IDLE SHAFT	1	
9	24141-33G10-000	SHAFT, REAR AXLE	1	
10	24371-33G10-000	GEAR, FINAL DRIVEN	1	
11	09283-27015-000	SEAL, DRIVE SHAFT	1	
12	08110-62030-000	BEARING, AXLE SHAFT, L	1	
13	08130-62047-000	BEARING	1	
14	08331-31229-000	CIRCLIP, FINAL DRIVEN GEAR	2	
15	24751-07900-000	RETAINER, AXLE SHAFT BEARING	1	
16	02122-0616A-000	SCREW	2	

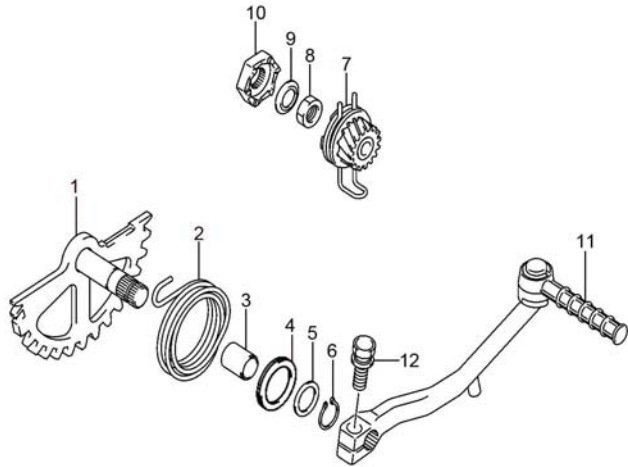
2



Fig. 18

**Fig.18 KICK STARTER (T06-S165-0001)**

REF. No.	PART No.	DESCRIPTION	Q' TY	REMARKS
1	26210-33GB0-000	SHAFT COMP, KICK STARTER	1	
2	26212-46F01-000	SPRING, KICK STARTER SHAFT	1	
3	26213-46F00-000	BUSHING, STARTOR SHAFT FOOT	1	
4	26214-33GA0-000	BUSH, KICK SHAFT RETURN SPRING	1	
5	09160-14053-000	WASHER, PLAIN	1	
6	08331-31149-000	CIRCLIP, KICK SHAFT	1	
7	26200-16F40-000	GEAR ASSY, KICK STARTER DRIVEN	1	
8	09140-12039-000	NUT	1	
9	09164-12020-000	GASKET	1	
10	26231-33G00-000	STARTER, KICK	1	
11	26300-33G50-000	LEVER ASSY, KICK STARTER	1	
12	26314-33G00-000	BOLT	1	



2

Fig. 19

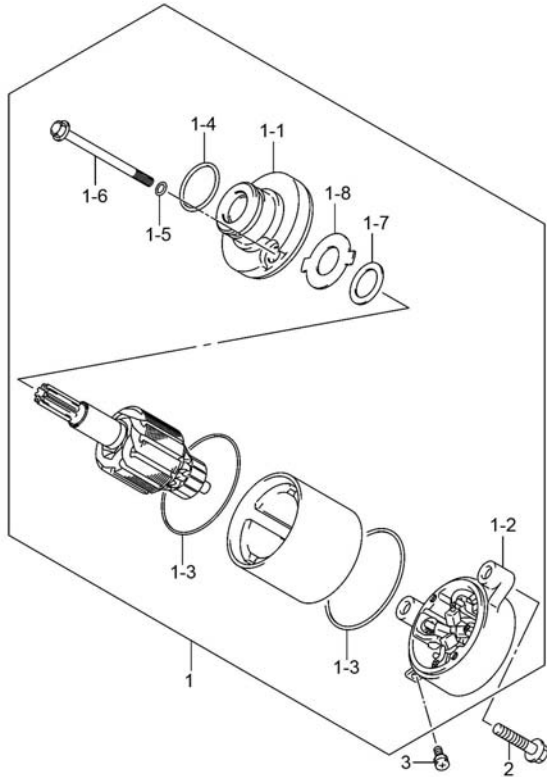


Fig.19 STARTING MOTOR (T06-S170-0001)

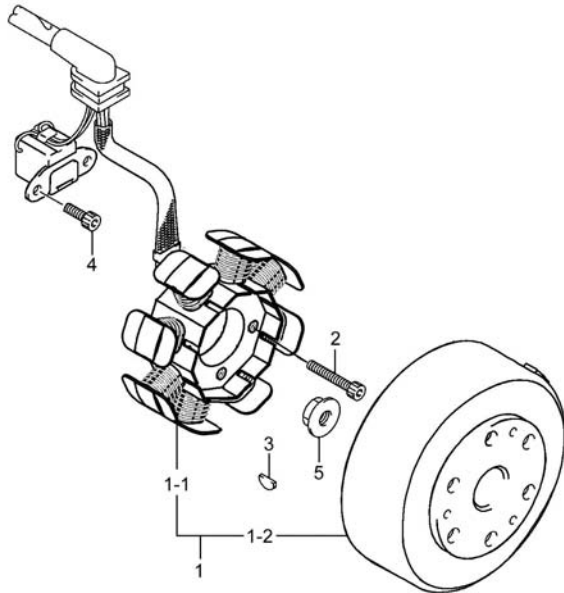
REF. No.	PART No.	DESCRIPTION	Q' TY	REMARKS
1	31100-33G01-000	MOTOR ASSY, STARTING	1	
1-1	31150-33G00-000	BRACKET	1	
1-2	31175-33G01-000	FRAME ASSY, COMMUTATOR END	1	
1-3	31264-05530-000	O RING	2	
1-4	09280-24003-000	O RING (D:3, ID:24.5)	1	
1-5	31156-05530-000	O RING	2	
1-6	31281-33G00-000	BOLT	2	
1-7	31361-055A0-000	SHIM	1	
1-8	31361-055B0-000	PLATE, LOCK	1	
2	01547-0625A-000	BOLT	2	
3	09137-05004-000	SCREW, STG MOT TERM	1	

3

Fig. 20

**Fig.20 MAGNETO (T06-S180-0004)**

REF. No.	PART No.	DESCRIPTION	Q' TY	REMARKS
1	32100-04H20-000	MAGNETO ASSY	1	
1-1	32101-04H20-000	STATOR ASSY	1	
1-2	32102-04H20-000	ROTOR ASSY	1	
2	07130-0525A-000	HEXAGON SOCKET HEAD CAP SCREW	3	
3	08341-31039-000	KEY, MAGNETO	1	
4	07130-0512B-000	BOLT	2	
5	31792-33G00-000	NUT, MAGNETO ROTOR	1	



3





Fig. 21

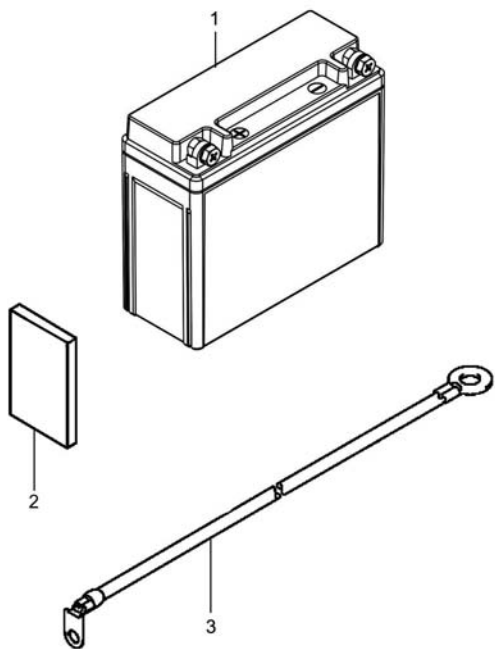


Fig.21 BATTERY (T06-S190-0013)

REF. No.	PART No.	DESCRIPTION	Q'TY	REMARKS
1	33620H7F010H000	FILLED BATTERY ASSY	1	
2	33652H7A200H000	PROTECTOR, BATTERY	3	
3	33860H7A000H000	WIRE, BATTERY MINUS LEAD	1	

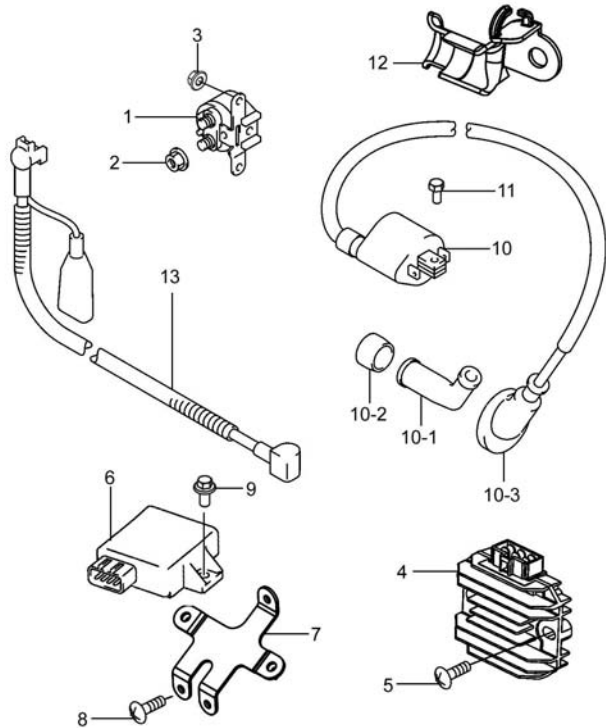
3



Fig. 22

Fig.22 ELECTRICAL (T06-S200-0016)

REF. No.	PART No.	DESCRIPTION	Q' TY	REMARKS
1	31800-49110-000	RELAY ASSY, STARTING MOTOR	1	
2	08361-3506A-000	NUT	2	
3	08316-1006A-000	NUT	2	
4	32800H51031H000	RECTIFIER ASSY	1	
5	02142-0612B-000	SCREW	2	
6	32900H7H000H000	IGNITER ASSY	1	
7	32931H7H000H000	BRACKET, CDI UNIT	1	
8	03541-0512A-000	CROSS RECESSED HEAD TAPPING SCREW	3	
9	01550-0616A-000	BOLT	2	
10	33410H87700H000	COIL ASSY, IGNITION	1	
10-1	33510-04H10-000	CAP, SPARK PLUG	1	
10-2	33541-47D00-000	SEAL, SPARK PLUG	1	
10-3	33542-33G00-000	SEAL, HIGH TENSION CORD	1	
11	09100H05004H000	BOLT, HEXAGON	2	
12	33415-33G10-000	PROTECTOR, HT CORD	1	
13	33810-33G80-000	WIRE, STARTER MOTOR	1	



3

Fig. 23

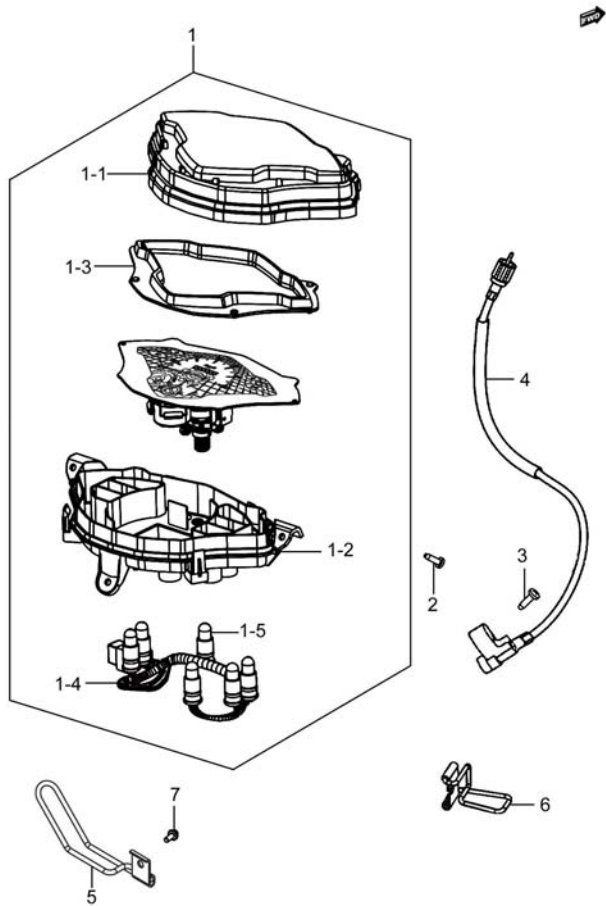


Fig.23 SPEEDOMETER (T06-S210-0016)

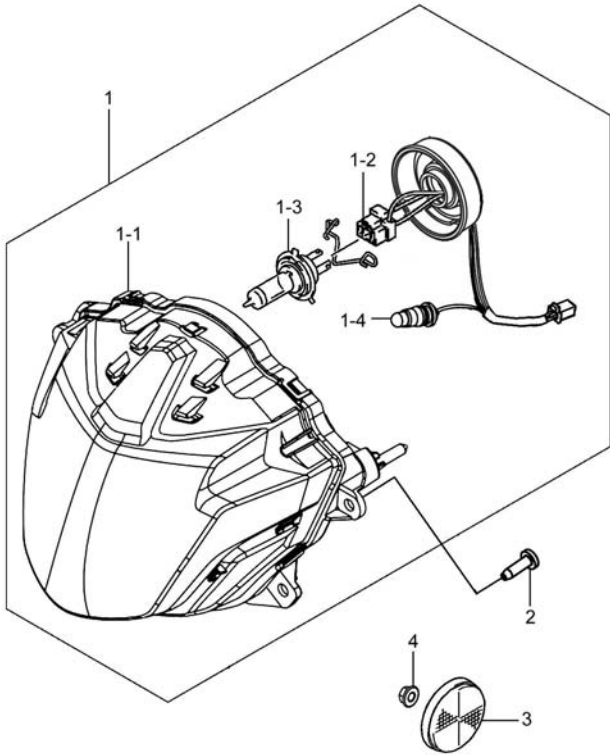
REF. No.	PART No.	DESCRIPTION	Q' TY	REMARKS
1	34100H7H000H000	SPEEDOMETER ASSY	1	
1-1	34150H7H000H000	HOOD, SPEEDOMETER	1	
1-2	34111H7H000H000	CASE, SPEEDOMETER, LOWER	1	
1-3	34113H7H000H000	PLATE, SPEEDOMETER	1	
1-4	34173H7H000H000	WIRE HARNESS, SPEEDOMETER	1	
1-5	09471-12077-000	BULB	6	T10 12V 2W
2	03541-0516A-000	CROSS RECESSED HEAD TAPPING SCREW	3	
3	02132-0516A-000	SCREW	1	
4	34910H7H002H000	CABLE ASSY, SPEEDOMETER	1	
5	34938-33GA0-000	GUIDE, SPEEDOMETER CABLE	1	
6	34938-33GB0-000	GUIDE, SPEEDOMETER CABLE	1	
7	01550-0612A-000	BOLT	1	

3

Fig. 24

Fig.24 HEADLAMP (T06-S220-0023)

REF. No.	PART No.	DESCRIPTION	Q' TY	REMARKS
1	35100H7H001H000	HEADLAMP ASSY	1	
1-1	35121H7H000H000	UNIT, HEADLAMP	1	
1-2	35171H7H000H000	CORD, HEADLAMP	1	
1-3	09471H12001H000	BULB (12V, 35/35W)	1	HS1 12V 35W/35W
1-4	09471-12081-000	BULB, POSITION LAMP	1	12V W5W
2	35151-21J00-000	SCREW, HEADLAMP	4	
3	35950H7A010H000	REFLEX REFLECTOR ASSY, FR SIDE	2	
4	08316-1005A-000	HEXAGON FLANGE NUT	2	



3

Fig. 25

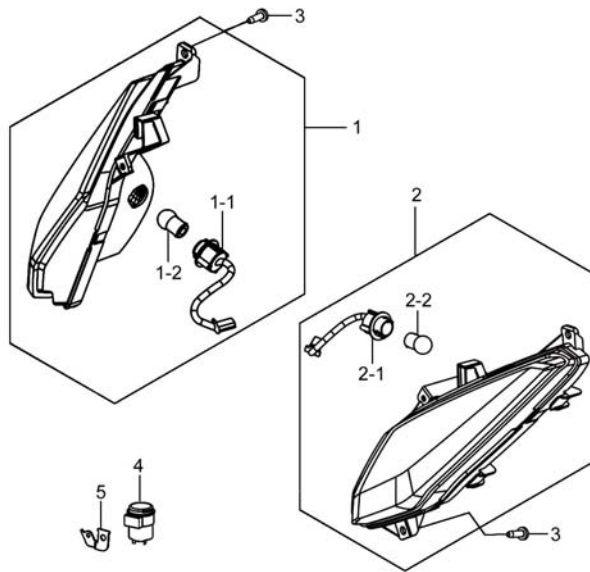


Fig.25 TURN SIGNAL LAMP (T06-S230-0012)

REF. No.	PART No.	DESCRIPTION	Q'TY	REMARKS
1	35601H7H000H000	LAMP ASSY, FRONT TURNSIGNAL, R	1	
1-1	35618H7H000H000	CORD COMP, FRONT TURNSIGNAL, R	1	
1-2	09471H12019H000	BULB (12V, 10W)	1	12V RY10W
2	35602H7H000H000	LAMP ASSY, FRONT TURNSIGNAL, L	1	
2-1	35638H7H000H000	CORD COMP, FRONT TURNSIGNAL, L	1	
2-2	09471H12019H000	BULB (12V, 10W)	1	12V RY10W
3	92125-33GC0-000	SCREW, LID INNER COVER	6	
4	38610H37G02H000	RELAY ASSY, TURNSIGNAL	1	
5	36656H7D000H000	BRACKET, WIRING HARNESS	1	

3



Fig. 26

3

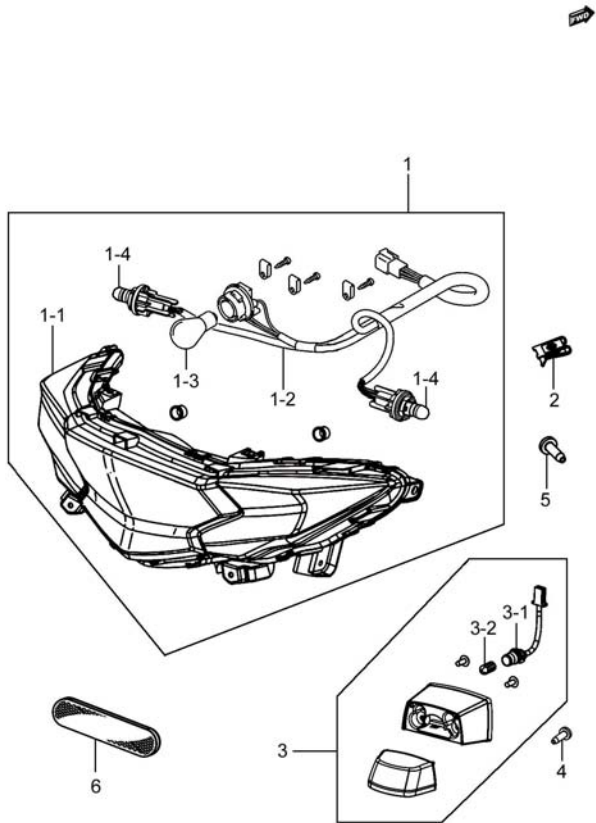


Fig.26 REAR COMBINATION LAMP (T06-S240-0012)

REF. No.	PART No.	DESCRIPTION	Q'TY	REMARKS
1	35710H7H000H000	LAMP ASSY, REAR COMB	1	
1-1	35720H7H000H000	UNIT, REAR COMB	1	
1-2	35718H7H000H000	CORD COMP, REAR COMB	1	
1-3	09471-12128-000	BULB (12V, 21/5W)	1	12V P21/5W
1-4	09471H12019H000	BULB (12V, 10W)	2	12V RY10W
2	09148-04024-000	NUT, FRAME COVER FRONT	2	
3	35910H7H002H000	LAMP ASSY, LICENSE	1	
3-1	35918H7A200H000	CORD, LICENSE LAMP	1	
3-2	09471-12081-000	BULB, POSITION LAMP	1	12V W5W
4	09136H05002H000	SCREW WITH WASHER	2	
5	92125-33GC0-000	SCREW, LID INNER COVER	6	
6	35970H2C001H000	REFLEX REFLECTOR ASSY, REAR	1	

Fig. 27

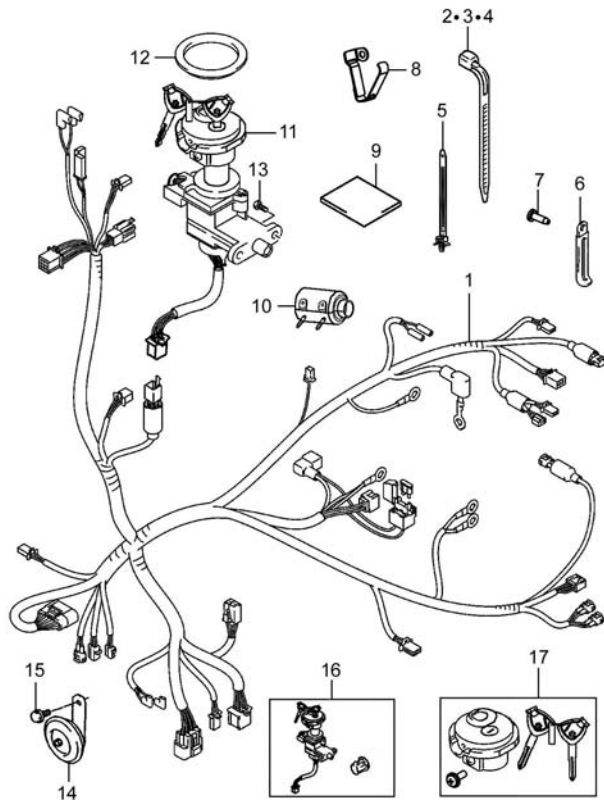


Fig.27 WIRING HARNESS (T06-S250-0048)

REF. No.	PART No.	DESCRIPTION	Q'TY	REMARKS
1	36610H7H002H000	HARNESS WIRING	1	
2	09407-11401-000	CLAMP, WIRING HARNESS	3	L=95
3	09407-14403-000	CLAMP, FUEL HOSE	5	L=125
4	09407-18402-000	CLAMP, FUEL FILTER NO. 2	1	L=165
5	36651-12F10-000	CLAMP	1	
6	09404-06038-000	CLAMP	2	
7	03541-0412B-000	SCREW	1	
8	36651-33G90-000	CLAMP COMP	1	
9	36611-20E00-000	PROTECTOR, WIRING HARNESS	1	
10	36618H79201H000	BOOT, WIRING HARNESS	1	
11	37100H7H000H000	LOCK ASSY, STEERING	1	
12	37187-20E00-000	PROTECTOR, IGNITION SW	1	
13	09139-06048-000	BOLT, STEERING LOCK	2	
14	38500H7C100H000	HORN ASSY	1	
15	01550-0612A-000	BOLT	1	
16	37011H7H010H000	LOCK SET	1	
17	37140H7AY00H000	KEY, BLANK, ASSY	1	

4

Fig. 28

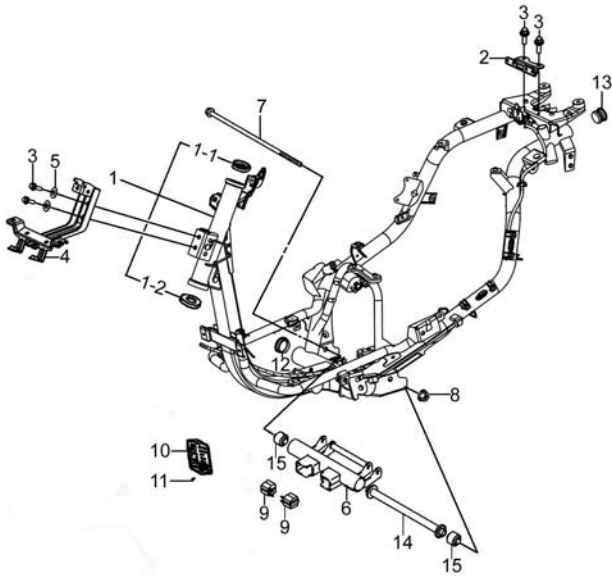


Fig.28 FRAME (T06-S260-0077)

REF. No.	PART No.	DESCRIPTION	Q' TY	REMARKS
1	41100H7HY00H000	FRAME SET	1	
1-1	51611H2A201H000	RACE, STEERING INNER UPPER	1	
1-2	51612H7E000H000	RACE, STEERING INNER LOWER	1	
2	41330H7H000H000	BRACKET COMP, SEAT LOCK	1	
3	01550-0612A-000	BOLT	4	
4	48150H7H000H000	BRACE COMP, FRONT	1	
5	09160-06088-000	WASHER, REAR COMB LAMP	2	
6	41180H7H000H000	BRACKET COMP, CRANKCASE	1	
7	41182H7A001H000	BOLT, CRANKCASE BRKT	1	
8	08319-3112A-000	U-NUT	1	
9	41185-33G20-000	CUSHION, SWING STOP	2	
10	68311H56110H000	PLATE, LICENSE	1	
11	09229H03001H000	RIVET, BLIND	2	
12	41522-33GC0-000	CAP	2	
13	41523-33GG0-000	PLUG, FRAME COMP	1	
14	41170-33G01-000	SPACER COMP, CRANKCASE BRKT	1	
15	41186-33G10-000	BUSH, CRANKCASE BRKT	2	

4



Fig. 29

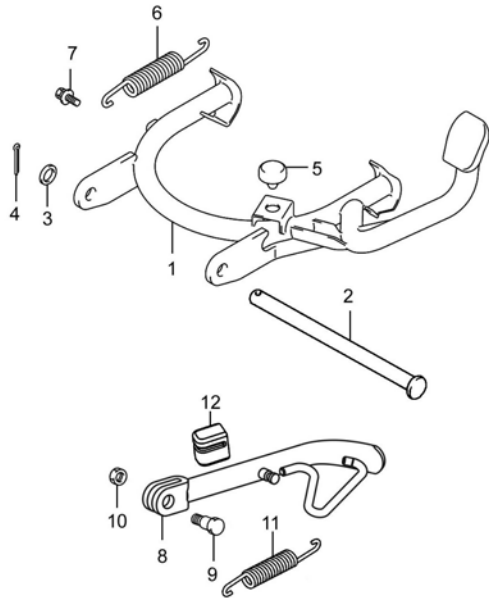


Fig.29 STAND (T06-S270-0009)

REF. No.	PART No.	DESCRIPTION	Q'TY	REMARKS
1	42100-33G50-000	STAND COMP, CENTER	1	
2	42211-16F11-000	SHAFT, CTR STAND	1	
3	08322-0110B-000	PLAIN WASHER	1	
4	04111-3020A-000	COTTER PIN	1	
5	42113-33G00-000	CUSHION	1	
6	42191-33GA0-000	SPRING, CENTER STAND	1	
7	42251-32G00-000	BOLT, CENTER STAND SPRING	1	
8	42310H7A000H000	STAND COMP, PROP	1	
9	09111H10004H000	BOLT, PROP STAND	1	
10	09159H10097H000	NUT	1	
11	42241-04H00-000	SPRING, PROP STAND	1	
12	43125H7H000H000	CUSHION, BRACKET	1	

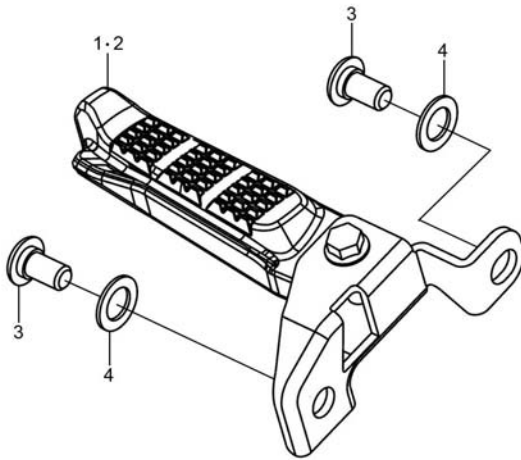
4



Fig. 30

**Fig.30 FOOTREST (T06-S280-0003)**

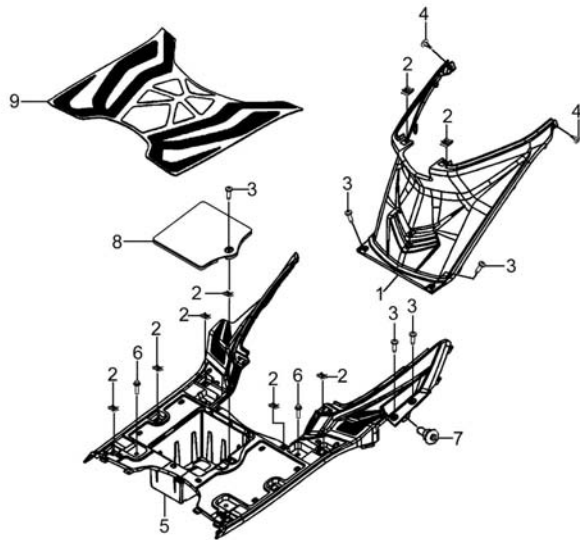
REF. No.	PART No.	DESCRIPTION	Q' TY	REMARKS
1	43600H7A000H000	FOOTREST ASSY, PILLION, R	1	
2	43700H7A000H000	FOOTREST ASSY, PILLION, L	1	
3	43712-33GA0-000	BOLT, PILLION FOOTREST	4	
4	43731-33G10-000	WASHER, PILLION FOOTREST, L	4	



**4**



Fig. 31



**Fig.31 REAR LEG SHIELD (T06-S285-0016)**

REF. No.	PART No.	DESCRIPTION	Q' TY	REMARKS
1	47351H7H002H000	COVER, FRAME FRONT	1	
2	09148-05L08-000	NUT	13	
3	03241-0516B-000	SCREW	7	
4	92125-33GC0-000	SCREW, LID INNER COVER	2	
5	48121H7H001H000	SHIELD, LEG REAR	1	
6	09113-06008-000	BOLT, LEG REAR	4	
7	09139H06009H000	SCREW	2	
8	48125H7H000H000	LID, BATTERY HOLDER	1	
9	43551H7H000H000	MAT, FLOOR	1	

4



Fig. 32

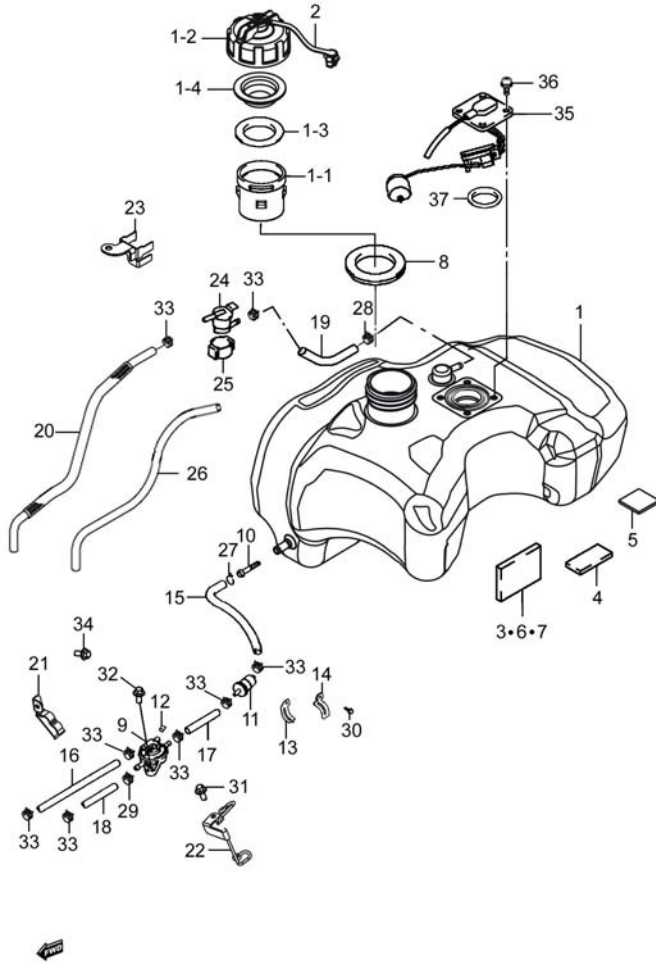


Fig.32 FUEL TANK (T06-S290-0018)

REF. No.	PART No.	DESCRIPTION	Q' TY	REMARKS
1	44011H7A030H000	FUEL TANK SET	1	
1-1	44199-33G60-000	TUBE, FILLER INLET	1	
1-2	44211-04H30-000	CAP, FUEL TANK FILLER	1	
1-3	44662-04H30-000	GASKET, FUEL TANK FILLER, NO. 2	1	
1-4	44661H7A001H000	GASKET, FUEL TANK FILLER NO. 1	1	
2	44663-04H30-000	BAND, FUEL TANK FILLER	1	
3	44281-34F30-000	CUSHION, FUEL TANK	1	
4	53145-48B00-000	CUSHION, FUEL TANK NO. 1	2	
5	44281-04HA0-000	CUSHION, FUEL TANK	9	
6	44281H7A000H000	CUSHION, FUEL TANK	1	
7	44281-33GB0-000	CUSHION, FUEL TANK	1	
8	44261-33G00-000	RUBBER, FUEL TANK INLET	1	
9	44300-37G10-000	COCK ASSY, FUEL	1	
10	44322-27002-000	FILTER, FUEL	1	
11	44330H45F11H000	FILTER COMP, FUEL	1	
12	44331-33GA0-000	CAP, FUEL COCK	1	
13	44338H7A000H000	CLAMP, FUEL FILTER NO. 1	1	
14	44339H7A000H000	CLAMP, FUEL FILTER NO. 2	1	
15	44419-33GB0-000	HOSE, INLET NO. 1	1	
16	44421H7A001H000	HOSE, OUTLET	1	
17	44422-33GB0-000	HOSE, INLET NO. 2	1	
18	44425-33GB0-000	HOSE, VACUUM	1	
19	44434H7A002H000	HOSE, TANK & BRTHR VALVE	1	
20	44435H7A000H000	HOSE, BRTHR VALVE & CSTR	1	
21	44482-33GB0-000	CLAMP, OUTLET HOSE	1	
22	44480-33GB0-000	GUIDE COMP, HOSE	1	
23	44890H7H000H000	BRACKET COMP, FUEL TANK BRTHR	1	
24	44240-45F32-000	VALVE, FUEL TANK BRTHR	1	
25	44894-45F10-000	CUSHION, FUEL TANK BRTHR VALVE	1	

Fig. 32

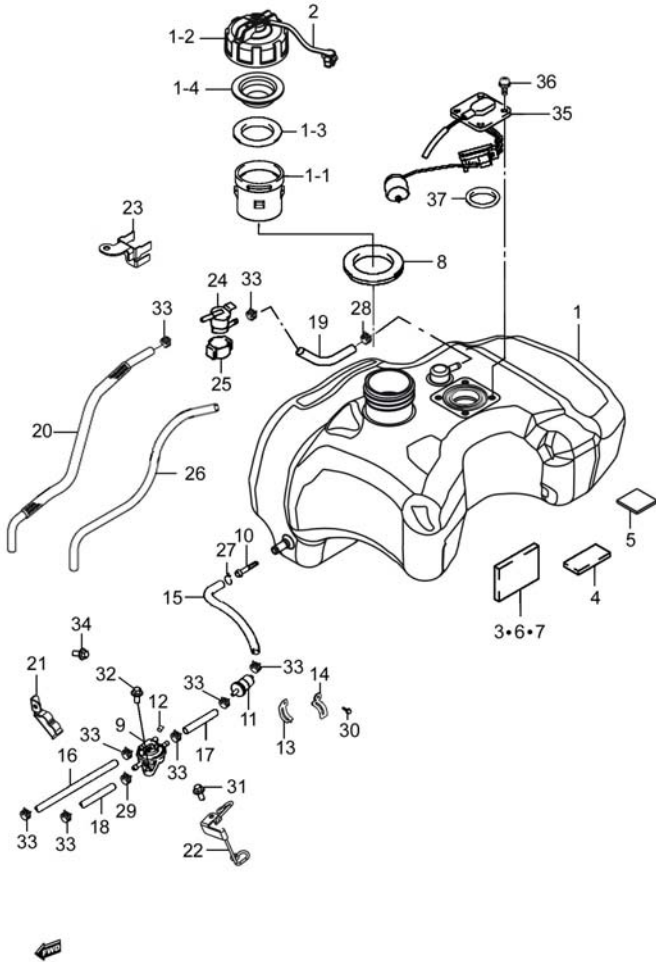


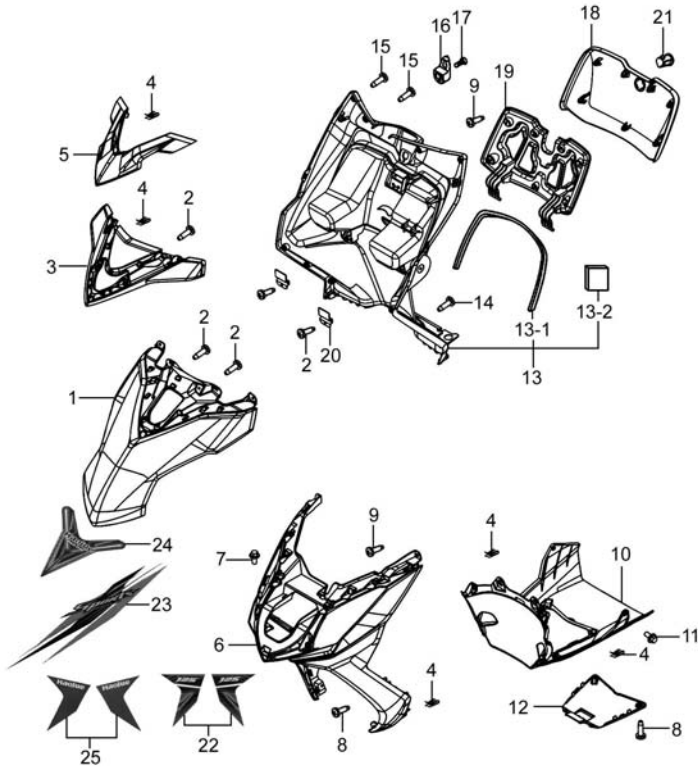
Fig.32 FUEL TANK (T06-S290-0018)

REF. No.	PART No.	DESCRIPTION	Q'TY	REMARKS
26	09352-70103-850	HOSE, FUEL DRAIN	1	
27	09401-11413-000	CLIP, OUTLET HOSE TANK SIDE	1	
28	09401-10410-000	CLIP, VACUUM HOSE	2	
29	09401-09101-000	CLAMP	1	
30	01550-0610A-000	BOLTS, HEXAGON HEAD FLANGE	1	
31	01547-0612B-000	BOLT	1	
32	01550-0616A-000	BOLT	1	
33	09401-09403-000	CLIP	8	
34	01550-0612A-000	BOLT	1	
35	34810H7A002H000	GAUGE ASSY, FUEL LEVEL SENDER	1	
36	09136H06155H000	SCREW WITH WASHER	4	
37	34825H85200H000	O-RING, FUEL LEVEL SENDER	1	

4

Fig. 33

Fig.33 LEG SHIELD (T06-S305-0072)



REF. No.	PART No.	DESCRIPTION	Q' TY	REMARKS
1	48111H7H000H517	SHIELD, LEG FRONT (Pearl Nebular black)	1	
1	48111H7H000H835	SHIELD, LEG FRONT (THUNDER GRAY)	1	
1	48111H7H000H901	SHIELD, LEG FRONT (WHITE)	1	
2	03541-0412B-000	SCREW	7	
3	48131H7H000H511	COVER, FRONT LEG SHIELD (MATTE BLACK)	1	
4	09148-05L08-000	NUT	14	
5	48118H7H000H129	LID, FRONT LEG SHIELD (RED)	1	
5	48118H7H000H628	LID, FRONT LEG SHIELD (MET. TRITON BLUE)	1	
5	48118H7H000H216	LID, FRONT LEG SHIELD (ORANGE)	1	
5	48118H7H000H607	LID, FRONT LEG SHIELD (BLUE)	1	
5	48118H7H000H841	LID, FRONT LEG SHIELD (MATTE GREY)	1	
6	48137H7H000H000	SHIELD, LEG LOWER	1	
7	09111-06066-000	BOLT, FIXED FR FENDER	2	
8	03241-0516B-000	SCREW	8	
9	92125-33GC0-000	SCREW, LID INNER COVER	9	
10	48139H7H000H000	COVER, LEG LOWER	1	
11	01550-0612B-000	BOLT	2	
12	48138H7H000H000	COVER, LEG LOWER REAR	1	
13	92011H7H000H000	BOX SET, FRONT	1	
13-1	92114H7D000H000	MOLDING, FRONT BOX	1	
13-2	33652-08410-000	CUSHION, FRONT BOX	1	
14	03541-0416B-000	SCREW	6	
15	03241-0520B-000	CROSS RECESSED HEAD TAPPING SCREW	4	

Fig. 33

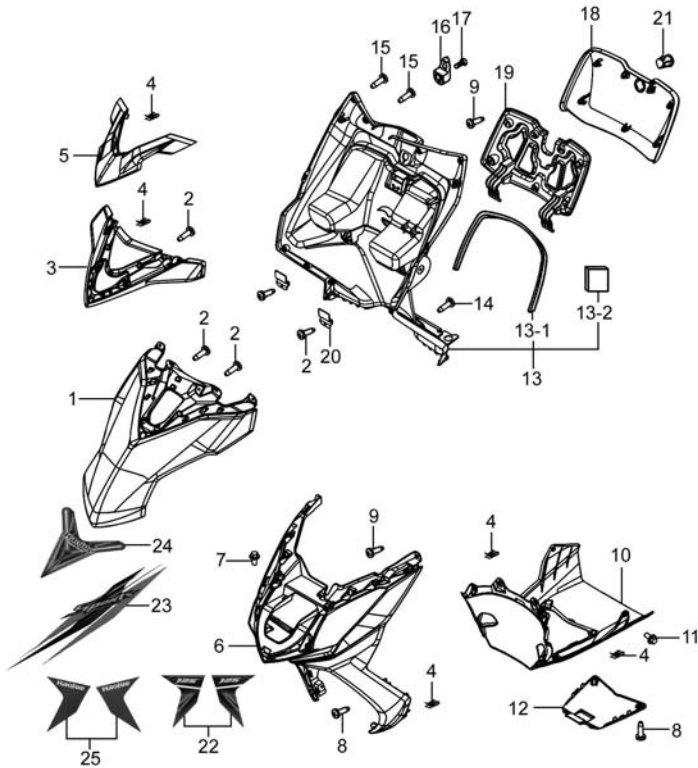


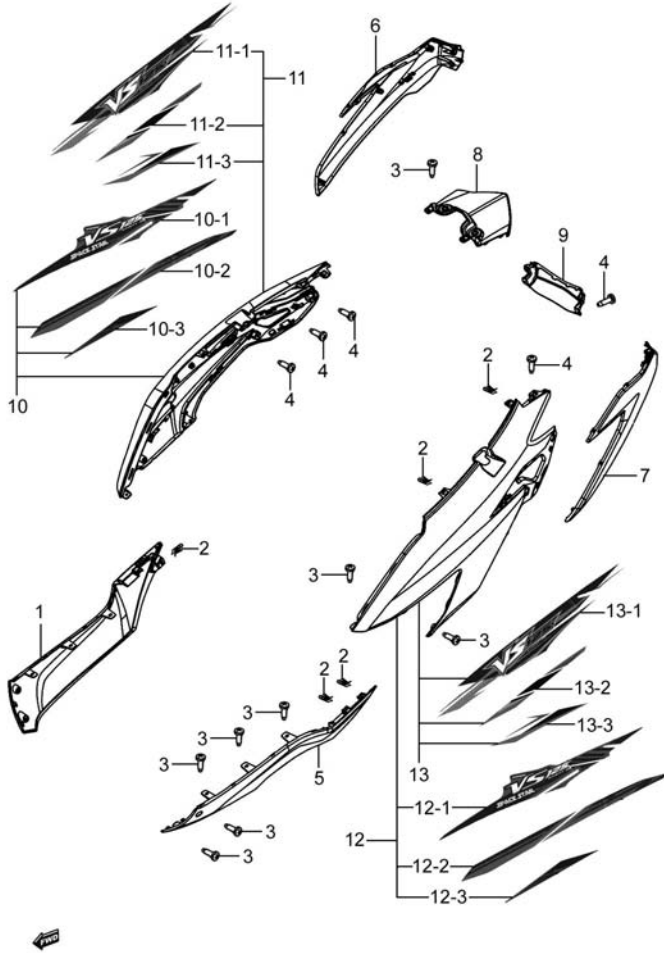
Fig.33 LEG SHIELD (T06-S305-0072)

REF. No.	PART No.	DESCRIPTION	Q'TY	REMARKS
16	92171-32G00-000	HOOK, LEG SHIELD	1	
17	02142-0616B-000	SCREW	1	
18	92112H7H001H000	LID, FRONT BOX	1	
19	92122H7H000H000	COVER, BOX LID INNER	1	
20	92113H7H000H000	PLATE, FRONT BOX HINGE	2	
21	92130-20E00-000	LOCK ASSY, FRONT BOX	1	
22	68600H7A060HR81	TAPE SET, FRONT LEG (R81)	1	
22	68600H7A060HR82	TAPE SET, FRONT LEG (R82)	1	
23	68151H7A050HR83	TAPE, FR LEG SHIELD COVER (R83)	1	
23	68151H7A050HR79	TAPE, FR LEG SHIELD COVER (R79)	1	
23	68151H7A050HR80	TAPE, FR LEG SHIELD COVER (R80)	1	
24	68151H7A060HR81	TAPE, FR LEG SHIELD COVER (R81)	1	
24	68151H7A060HR82	TAPE, FR LEG SHIELD COVER (R82)	1	
25	68600H7A050HR79	TAPE SET, FRONT LEG (R79)	1	

4

Fig. 34

Fig.34 FRAME COVER (T06-S310-0037)



REF. No.	PART No.	DESCRIPTION	Q'TY	REMARKS
1	48171H7H000H000	SHIELD, LEG SIDE LOWER, R	1	
2	09148-05L08-000	NUT	10	
3	03241-0516B-000	SCREW	16	
4	03541-0412B-000	SCREW	10	
5	48181H7H000H000	SHIELD, LEG SIDE LOWER, L	1	
6	47112H7H001H000	LID, FRAME COVER, R	1	
7	47212H7H001H000	LID, FRAME COVER, L	1	
8	47311H7H000H129	COVER, FRAME UPPER (RED)	1	
8	47311H7H000H628	COVER, FRAME UPPER (MET. TRITON BLUE)	1	
8	47311H7H000H835	COVER, FRAME UPPER (THUNDER GRAY)	1	
8	47311H7H000H901	COVER, FRAME UPPER (WHITE)	1	
8	47311H7H000H517	COVER, FRAME UPPER (Pearl Nebular black)	1	
9	47321H7H000H000	COVER, FRAME LOWER	1	
10	47011H7H00AHF01	COVER SET, FRAME, R (RED)	1	
10	47011H7H00AHF02	COVER SET, FRAME, R (BLUE)	1	
10-1	68711H7A060HR81	TAPE, FRAME COVER UP, R (R81)	1	
10-1	68711H7A060HR82	TAPE, FRAME COVER UP, R (R82)	1	
10-2	68712H7A060HR81	TAPE, FRAME COVER CTR, R (R81)	1	
10-2	68712H7A060HR82	TAPE, FRAME COVER CTR, R (R82)	1	
10-3	68713H7A060HR81	TAPE, FRAME COVER LWR, R (R81)	1	
10-3	68713H7A060HR82	TAPE, FRAME COVER LWR, R (R82)	1	
11	47011H7H001HF01	COVER SET, FRAME, R (GRAY)	1	
11	47011H7H001HF03	COVER SET, FRAME, R (PEARL WHITE)	1	
11	47011H7H001HF04	COVER SET, FRAME, R (Pearl Nebular black)	1	



Fig. 34

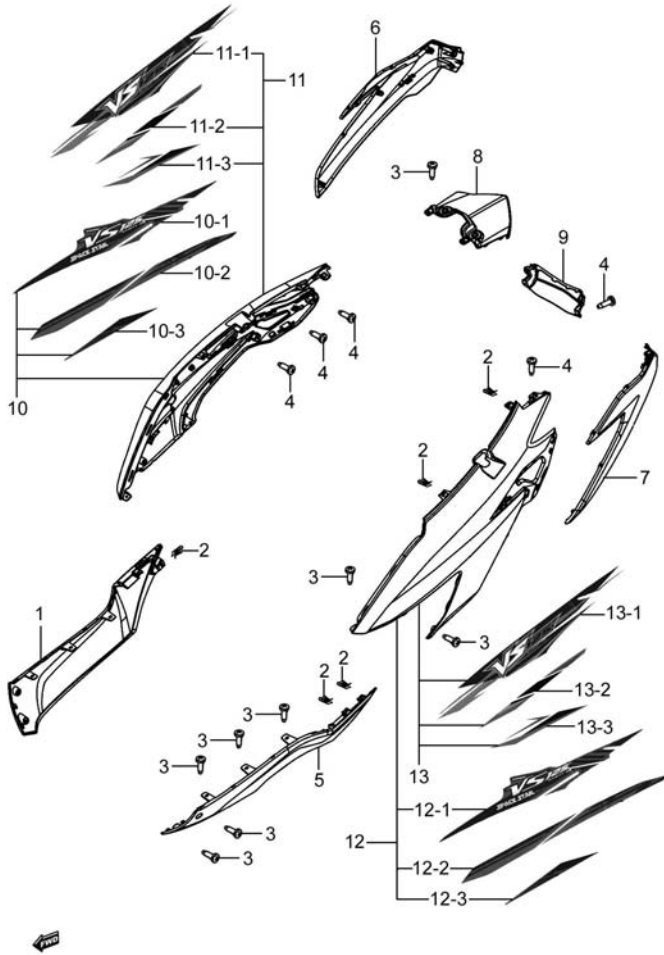


Fig.34 FRAME COVER (T06-S310-0037)

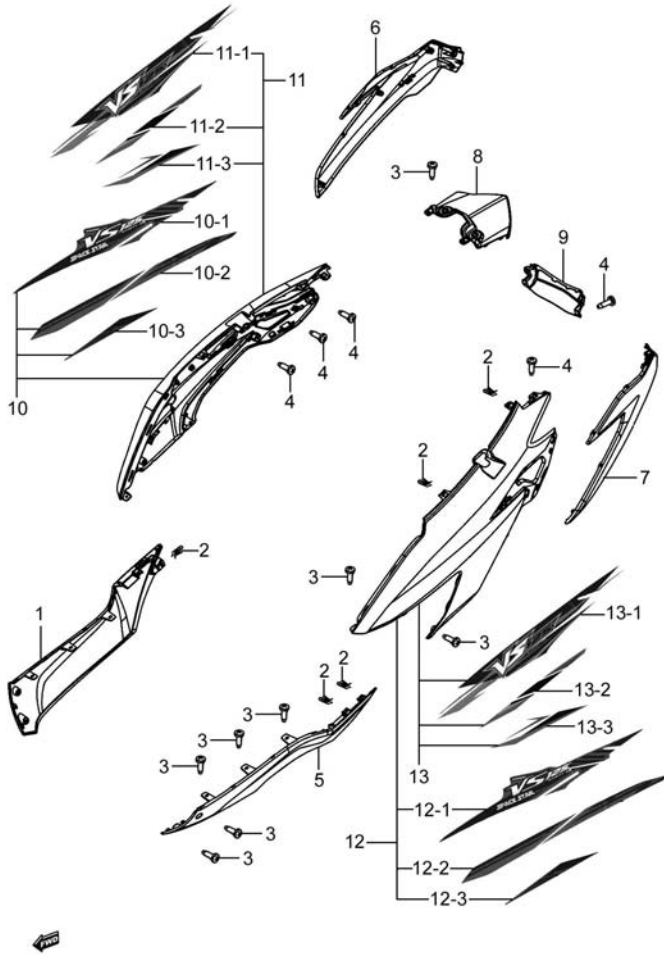
REF. No.	PART No.	DESCRIPTION	Q' TY	REMARKS
11-1	68711H7A050HR83	TAPE, FRAME COVER UPR, R (R83)	1	
11-1	68711H7A050HR79	TAPE, FRAME COVER UPR, R (R79)	1	
11-1	68711H7A050HR80	TAPE, FRAME COVER UPR, R (R80)	1	
11-2	68712H7A050HR83	TAPE, FRAME COVER CTR, R (R83)	1	
11-2	68712H7A050HR79	TAPE, FRAME COVER CTR, R (R79)	1	
11-2	68712H7A050HR80	TAPE, FRAME COVER CTR, R (R80)	1	
11-3	68713H7A050HR83	TAPE, FRAME COVER LWR, R (R83)	1	
11-3	68713H7A050HR79	TAPE, FRAME COVER LWR, R (R79)	1	
11-3	68713H7A050HR80	TAPE, FRAME COVER LWR, R (R80)	1	
12	47021H7H00BHF01	COVER SET, FRAME, L (RED)	1	
12	47021H7H00BHF02	COVER SET, FRAME, L (BLUE)	1	
12-1	68721H7A060HR81	TAPE, FRAME COVER UPR, L (R81)	1	
12-1	68721H7A060HR82	TAPE, FRAME COVER UPR, L (R82)	1	
12-2	68722H7A060HR81	TAPE, FRAME COVER CTR, L (R81)	1	
12-2	68722H7A060HR82	TAPE, FRAME COVER CTR, L (R82)	1	
12-3	68723H7A060HR81	TAPE, FRAME COVER LWR, L (R81)	1	
12-3	68723H7A060HR82	TAPE, FRAME COVER LWR, L (R82)	1	
13	47021H7H002HF01	COVER SET, FRAME, L (GRAY)	1	
13	47021H7H002HF03	COVER SET, FRAME, L (PEARL WHITE)	1	
13	47021H7H002HF04	COVER SET, FRAME, L (PEARL Nebular BLACK)	1	
13-1	68721H7A050HR83	TAPE, FRAME COVER UPR, L (R83)	1	
13-1	68721H7A050HR79	TAPE, FRAME COVER UPR, L (R79)	1	
13-1	68721H7A050HR80	TAPE, FRAME COVER UPR, L (R80)	1	
13-2	68722H7A050HR83	TAPE, FRAME COVER CTR, L (R83)	1	
13-2	68722H7A050HR79	TAPE, FRAME COVER CTR, L (R79)	1	
13-2	68722H7A050HR80	TAPE, FRAME COVER CTR, L (R80)	1	
13-3	68723H7A050HR83	TAPE, FRAME COVER LWR, L (R83)	1	

4

Fig. 34

Fig.34 FRAME COVER (T06-S310-0037)

REF. No.	PART No.	DESCRIPTION	Q' TY	REMARKS
13-3	68723H7A050HR79	TAPE, FRAME COVER LWR, L (R79)	1	
13-3	68723H7A050HR80	TAPE, FRAME COVER LWR, L (R80)	1	



4

Fig. 35

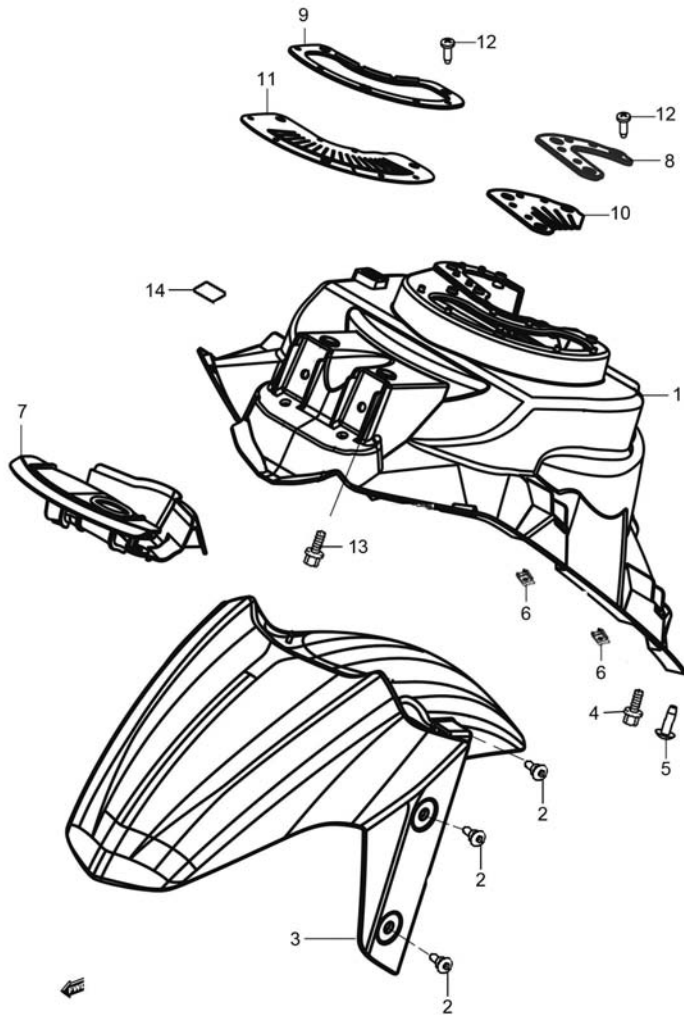


Fig.35 FRONT FENDER (T06-S320-0012)

REF. No.	PART No.	DESCRIPTION	Q'TY	REMARKS
1	53182H7H000H000	FENDER, FIXED FRONT	1	
2	09139H06009H000	SCREW	6	
3	53181H7H000H129	FENDER, MOVABLE FRONT (RED)	1	
3	53181H7H000H628	FENDER, MOVABLE FRONT (MET. TRITON BLUE)	1	
3	53181H7H000H216	FENDER, MOVABLE FRONT (ORANGE)	1	
3	53181H7H000H607	FENDER, MOVABLE FRONT (BLUE)	1	
3	53181H7H000H901	FENDER, MOVABLE FRONT (WHITE)	1	
3	53181H7H000H517	FENDER, MOVABLE FRONT (Pearl Nebular black)	1	
4	01550-0612B-000	BOLT	2	
5	03241-0516B-000	SCREW	2	
6	09148-05L08-000	NUT	4	
7	53191H7H001H000	FENDER, FIXED FRONT NO. 2	1	
8	53113H7H000H000	PLATE, FR FENDER CUSHION, NO. 1	1	
9	53114H7H000H000	PLATE, FR FENDER CUSHION, NO. 2	1	
10	53115H7H000H000	CUSHION, FR FENDER, NO. 1	1	
11	53116H7H000H000	CUSHION, FR FENDER, NO. 2	1	
12	92125-33G00-000	SCREW, LID INNER COVER	6	
13	01550-0616A-000	BOLT	2	
14	44281-37G00-000	CUSHION, FUEL TANK	2	

4

Fig. 36

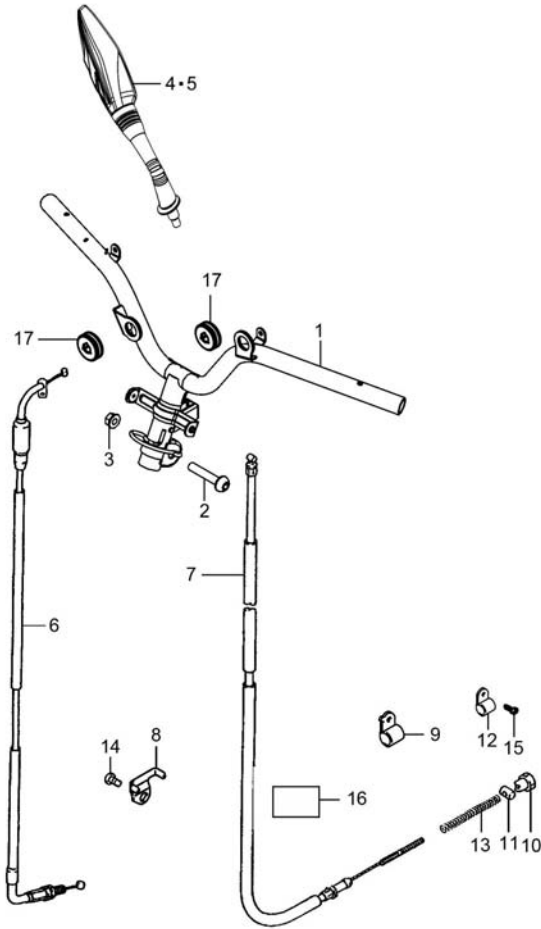


Fig.36 HANDLEBAR (T06-S330-0036)

REF. No.	PART No.	DESCRIPTION	Q' TY	REMARKS
1	56110H7H000H000	HANDLEBAR COMP	1	
2	09106-10092-000	BOLT	1	
3	09159-10115-000	NUT, HANDLEBAR CLAMP	1	
4	56600H7H000H000	MIRROR ASSY, REAR VIEW, L	1	
5	56500H7H000H000	MIRROR ASSY, REAR VIEW, R	1	
6	58300-33GH1-000	CABLE ASSY, THROTTLE	1	
7	58510-33GE1-000	CABLE COMP, REAR BRAKE	1	
8	58575-37B00-000	PLATE, REAR BRAKE CABLE	1	
9	58577-33G00-000	CLIP, GUIDE	1	
10	09150-05101-000	NUT, REAR BRAKE CABLE ADJUSTER	1	
11	09209-10001-000	PIN, REAR BRAKE CABLE	1	
12	09403-12406-000	CLAMP, RR BK CABLE CRKC MDL	1	
13	58562-04H00-000	SPRING, REAR BK CABLE RETURN	1	
14	01547-0610B-000	BOLT	1	
15	02112-0610B-000	SCREW	1	
16	58521-04H00-000	TAPE, RR BRAKE CABLE	1	
17	09320H08011H000	CUSHION	2	

4

Fig. 37

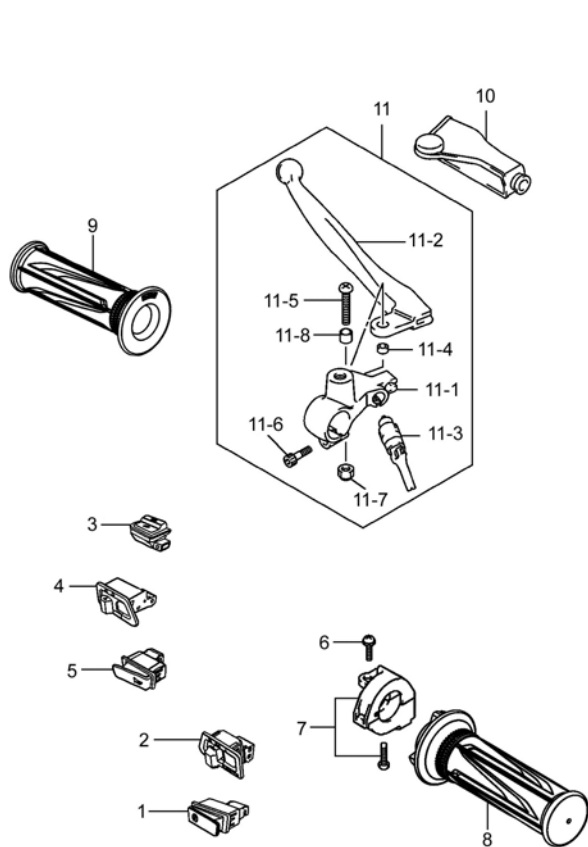


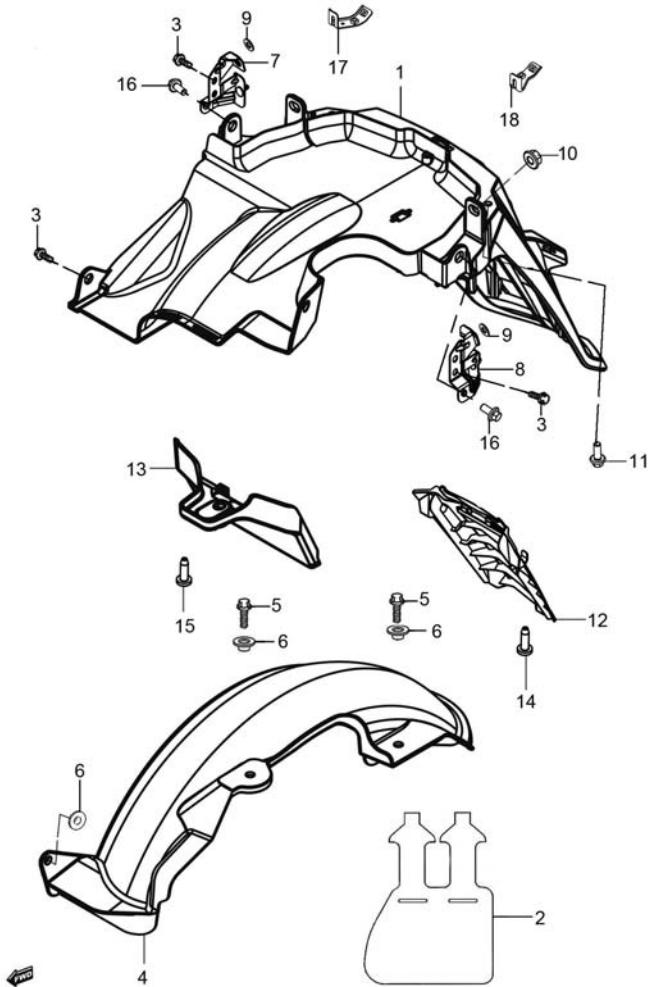
Fig.37 HANDLE SWITCH (T06-S340-0020)

REF. No.	PART No.	DESCRIPTION	Q'TY	REMARKS
1	37310H7D000H000	SWITCH ASSY, STARTER	1	
2	37340H7D000H000	SWITCH ASSY, LIGHTING	1	
3	37420H7D001H000	SWITCH ASSY, DIMMER	1	
4	37510H7D000H000	SWITCH ASSY, TURN SIGNAL	1	
5	37520H7D000H000	SWITCH ASSY, HORN	1	
6	09136-05040-000	SCREW, THROTTLE CASE	1	
7	57100H80100H000	CASE ASSY, THROTTLE	1	
8	57110H7A000H000	GRIP COMP, THROTTLE	1	
9	57211H7A010H000	GRIP, L	1	
10	57315-33G00-000	COVER, BRAKE LEVER, L	1	
11	57500H7A001H000	LEVER ASSY, RR BRAKE & SWITCH	1	
11-1	57511H7A000H000	HOLDER, BRAKE LEVER, L	1	
11-2	57621H7A001H000	LEVER, BRAKE, L	1	
11-3	57470-20E00-000	SWITCH ASSY, BRAKE	1	
11-4	57435-12900-000	SPACER	1	
11-5	02112-05308-000	SCREW	1	
11-6	07130-0620A-000	BOLT	1	
11-7	08319-2105A-000	U-NUT	1	
11-8	57336-09D00-000	COLLAR	1	

4

Fig. 38

Fig.38 REAR FENDER (T06-S350-0015)



REF. No.	PART No.	DESCRIPTION	Q' TY	REMARKS
1	63111H7H000H000	FENDER, REAR UPPER	1	
2	63113-33GE0-000	MUDGUARD, REAR FENDER	1	
3	01550-0610A-000	BOLTS, HEXAGON HEAD FLANGE	6	
4	63112H7H000H000	FENDER, REAR LOWER	1	
5	01550-0616A-000	BOLT	2	
6	09169-06071-000	WASHER, FRONT LEG SHIELD	3	
7	41244H7H001HN00	PLATE COMP, TAIL, R	1	
8	41245H7H001HN00	PLATE COMP, TAIL, L	1	
9	09320-08047-000	CUSHION, SEAT TAIL COVER FRONT	2	
10	08316-1006B-000	NUT	2	
11	01550-0612A-000	BOLT	2	
12	63151H7H000H000	INNER LOWER SCALEBOARD, REAR FENDER	1	
13	63152H7H000H000	INNER UPPER SCALEBOARD, REAR FENDER	1	
14	03541-0416B-000	SCREW	4	
15	03541-0516B-000	SCREW	1	
16	09116-06144-000	BOLT, LEG REAR	2	
17	94830H7H000H000	BRACKET COMP, RR BUMPER, R	1	
18	94840H7H000H000	BRACKET COMP, RR BUMPER, L	1	

4

Fig. 39

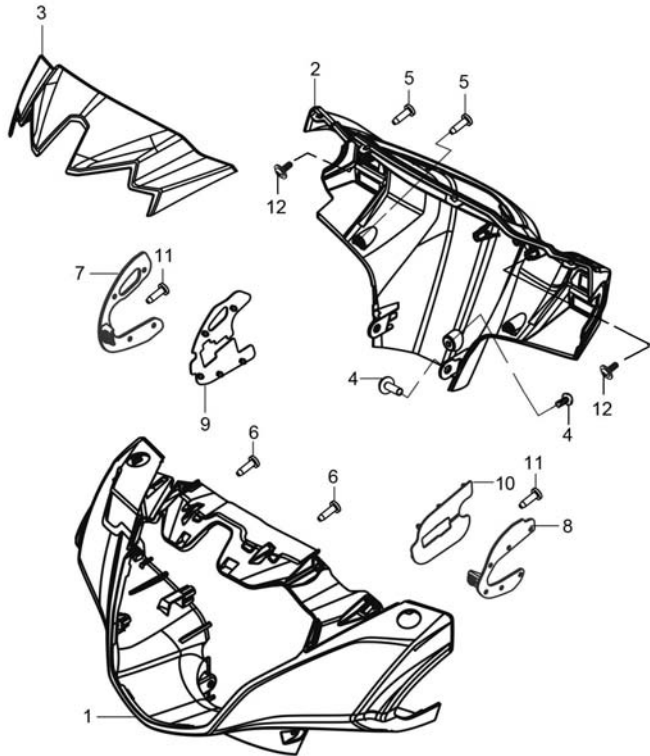


Fig.39 HANDLE COVER (T06-S365-0017)

REF. No.	PART No.	DESCRIPTION	Q'TY	REMARKS
1	56311H7H001H517	COVER, HANDLE FRONT (Pearl Nebular black)	1	
1	56311H7H001H835	COVER, HANDLE FRONT (THUNDER GRAY)	1	
1	56311H7H001H901	COVER, HANDLE FRONT (WHITE)	1	
2	56321H7H000H000	VISOR, METER	1	
3	56331H7H001H511	LID, HANDLE FRONT (MATTE BLACK)	1	
4	02142-0512B-000	SCREW	3	
5	03541-0416B-000	SCREW	2	
6	03541-0412B-000	SCREW	2	
7	56315H7H001H000	SHIELD, HANDLE COVER FRONT, R	1	
8	56325H7H003H000	SHIELD, HANDLE COVER FRONT, L	1	
9	56318H7H001H000	PANEL, HANDLE COVER FRONT, R	1	
10	56328H7H003H000	PANEL, HANDLE COVER FRONT, L	1	
11	92125-33GC0-000	SCREW, LID INNER COVER	2	
12	03511-0516B-000	SCREW	2	

4



Fig. 40

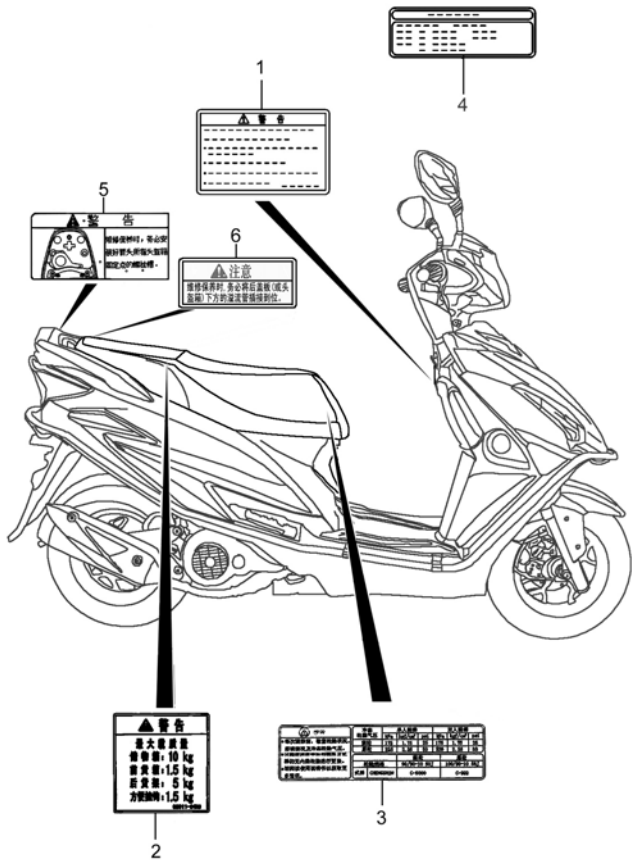


Fig.40 LABEL (T06-S370-0027)

REF. No.	PART No.	DESCRIPTION	Q'TY	REMARKS
1	68319H79000H000	LABEL, GENERAL WARNING	1	
2	68911-37G40-000	LABEL, LUGGAGE BOX	1	
3	68332H87510H000	LABEL, TIRE INFORMATION	1	
4	99011H7H021H000	MANUAL, OWNER'S	1	
5	68611-33G40-000	LABEL, LUGGAGE BOX	1	
6	68920H7A010H000	LABEL, GENERAL WARNING	1	

4



Fig. 41

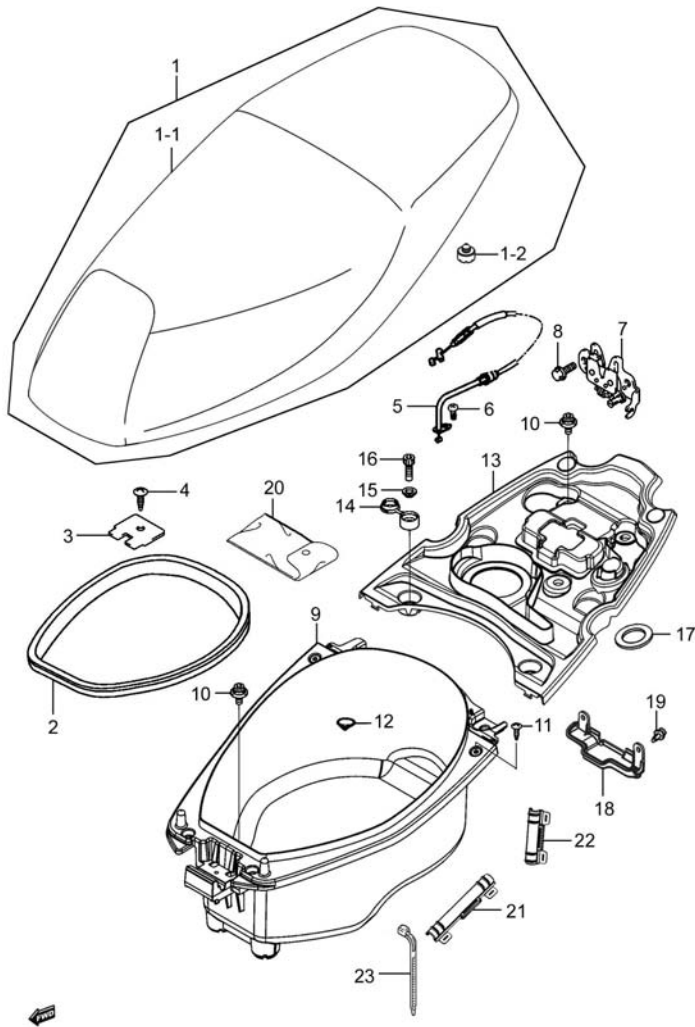


Fig.41 SEAT (T06-S380-0018)

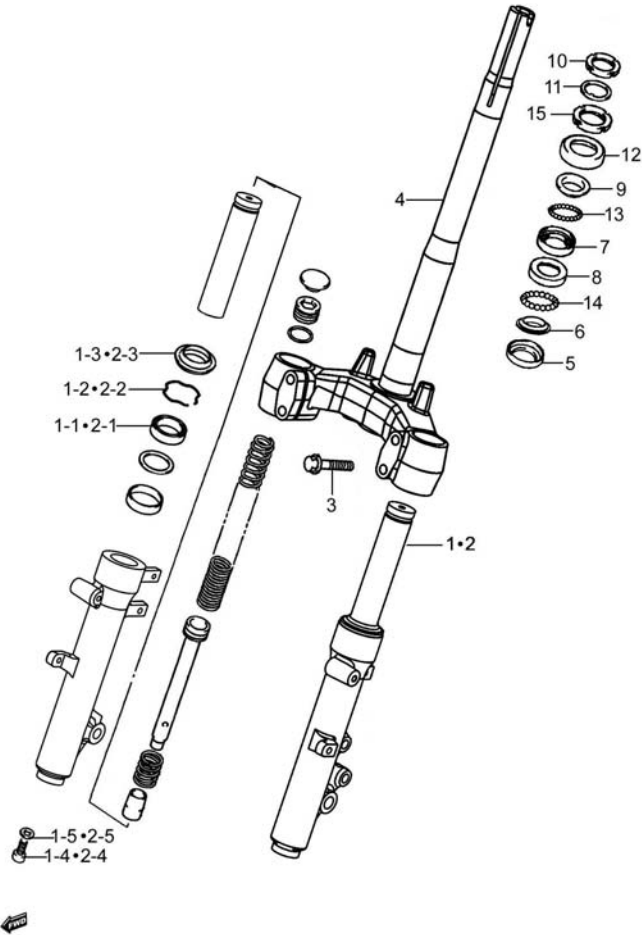
REF. No.	PART No.	DESCRIPTION	Q'TY	REMARKS
1	45100H7H000H000	SEAT ASSY	1	
1-1	45160H7H000H000	COVER COMP, SEAT	1	
1-2	45148-20G00-000	CUSHION, SEAT MOUNT REAR	4	
2	45211-33G50-000	MOLDING, SEAT	1	
3	45271-32G10-000	PLATE, SEAT HINGE	1	
4	03541-0516B-000	SCREW	1	
5	45280H7H000H000	CABLE COMP, SEAT LOCK	1	
6	02112-0510A-000	CROSS RECESSED HEAD SCREW	1	
7	45700-09GA0-000	LOCK ASSY, SEAT NO. 1	1	
8	01547-0610B-000	BOLT	2	
9	92211H7H001H000	BOX, HELMET	1	
10	92219-04H00-000	BOLT, HELMET BOX	4	
11	03241-0516B-000	SCREW	4	
12	92223-33GJ0-000	PLUG, HELMET BOX	1	
13	47371H7H000H000	COVER, FRAME UPPER REAR	1	
14	92223-33G00-000	CAP, HELMET BOX CENTER BOLT	2	
15	09169-06082-000	WASHER, HELMET BOX CENTER	2	
16	07130-0616B-000	BOLT	2	
17	92216H33GG0H000	CUSHION, AIR FILTER INLET UNION TUBE	1	
18	47183H33GG0H000	COVER, HELMET BOX	1	
19	09409-06322-000	CLIP, LEG LOWER	2	
20	09800H20028H000	TOOL ASSY	1	
21	47213H7H000H000	PROTECTOR, CABLE NO. 1	1	
22	47215H7H001H000	PROTECTOR, CABLE NO. 2	1	
23	09407-18402-000	CLAMP, FUEL FILTER NO. 2	4	

4

Fig. 42

Fig.42 STEERING STEM (T06-S400-0014)

4



REF. No.	PART No.	DESCRIPTION	Q' TY	REMARKS
1	51103H7H010H000	DAMPER ASSY, FRONT FORK, R	1	
1-1	51153-45F40-000	OIL SEAL	1	
1-2	51156-45F40-000	RING, OIL SEAL STOPPER	1	
1-3	51173-45F40-000	SEAL, DUST	1	
1-4	51147-05320-000	BOLT	1	
1-5	51148-05320-000	PACKING	1	
2	51104H7H010H000	DAMPER ASSY, FRONT FORK, L	1	
2-1	51153-45F40-000	OIL SEAL	1	
2-2	51156-45F40-000	RING, OIL SEAL STOPPER	1	
2-3	51173-45F40-000	SEAL, DUST	1	
2-4	51147-05320-000	BOLT	1	
2-5	51148-05320-000	PACKING	1	
3	01550-0840B-000	BOLT	4	
4	51410H7H001H000	BRACKET COMP, UNDER	1	
5	51644-04H00-000	SEAL, STEERING LOWER	1	
6	51622H7E000H000	RACE, STEERING OUTER LOWER	1	
7	51611H2A201H000	RACE, STEERING INNER UPPER	1	
8	51612H7E000H000	RACE, STEERING INNER LOWER	1	
9	51621H2A200H000	RACE, STEERING OUTER, UPPER	1	
10	51632H7A000H000	NUT, STEERING STEM, LOCK	1	
11	51635-33GA0-000	WASHER, STEERING LOCK	1	
12	51643H7A000H000	SEAL, STEERING DUST UPPER	1	
13	51610H2A200H000	BALL, STEERING STEEL UPPER	1	
14	51620H7E001H000	BALL, STEERING STEEL LOWER	1	
15	51631-48H00-000	NUT, STEERING STEM	1	

Fig. 43

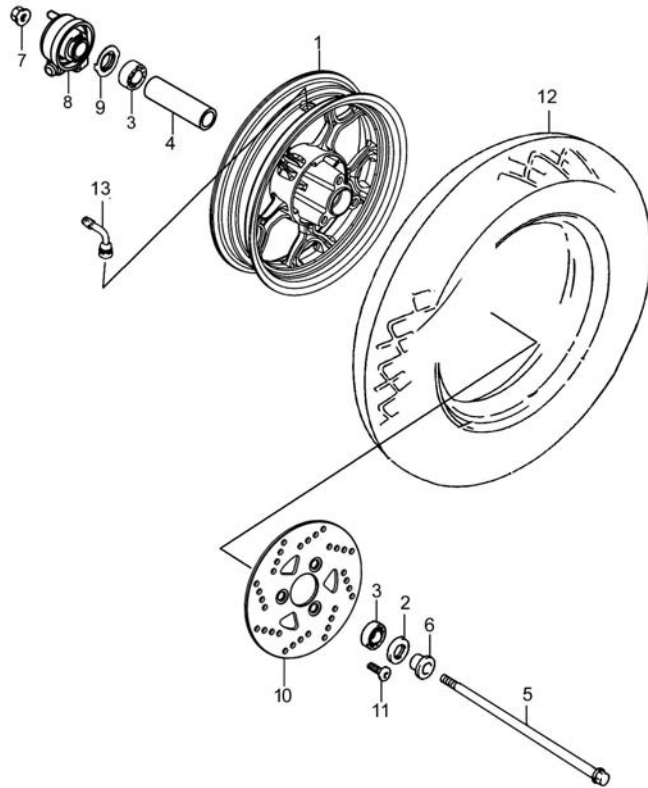


Fig.43 FRONT WHEEL (T06-S410-0020)

REF. No.	PART No.	DESCRIPTION	Q' TY	REMARKS
1	54111H7H000H000	WHEEL, FRONT	1	
2	54742H7M000H000	SEAL, FRONT WHEEL BEARING	1	
3	08133-62017-000	BEARING	2	
4	54731H7H001H000	SPACER, FRONT WHEEL BRG	1	
5	54711H7H000H000	AXLE, FRONT	1	
6	54741H7H000H000	SPACER, FRONT AXLE, L	1	
7	08319-3112A-000	U-NUT	1	
8	54600H7H020H000	BOX ASSY, SPEEDOMETER GEAR	1	
9	54601H77002H000	PLECTRUM COMP, SEAL	1	
10	59221-33GB0-000	DISC, FRONT BRAKE	1	
11	59421-20E00-000	BOLT, DISC	3	
12	55110H77020H000	TIRE COMP, T/L	1	
13	43130-41DH0-000	VALVE ASSY, WHEEL RIM	1	

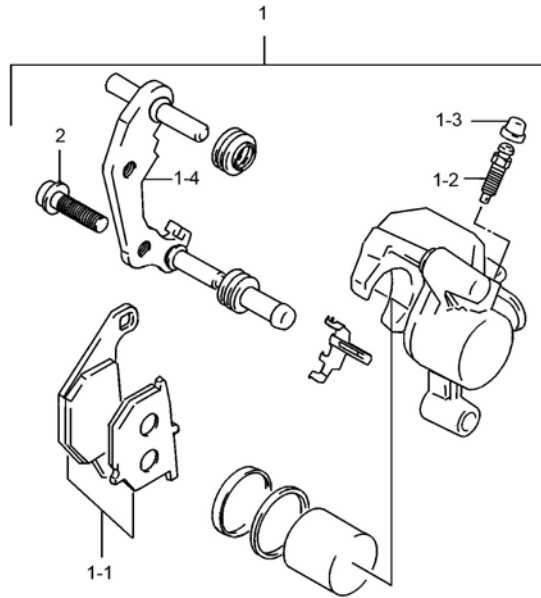
4



Fig. 44

Fig.44 FRONT CALIPER (T06-S420-0008)

REF. No.	PART No.	DESCRIPTION	Q' TY	REMARKS
1	59300H20E82H000	CALIPER ASSY, FRONT	1	
1-1	59300H7JY10H000	PAD COMP	1	
1-2	59121H20E20H000	BLEEDER	1	
1-3	55165-66310-000	CAP	1	
1-4	59350H20E21H000	CARRIER COMP, CALIPER L	1	
2	07120-0830A-000	HEXAGON SOCKET HEAD CAP SCREW	2	



4



Fig. 45

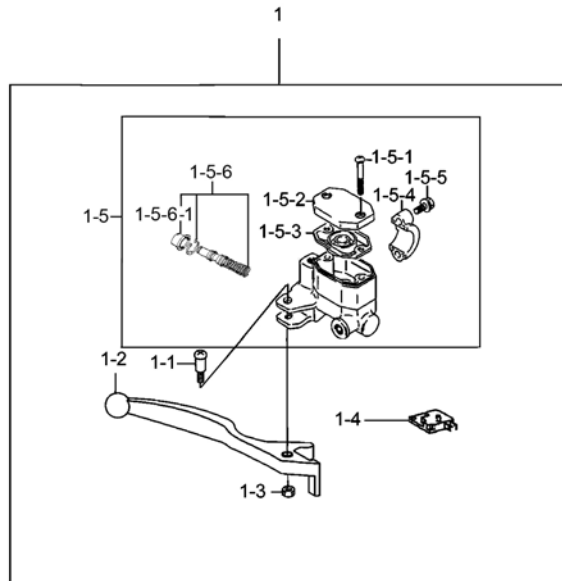


Fig.45 FRONT BRAKE CYLINDER (T06-S430-0003)

REF. No.	PART No.	DESCRIPTION	Q' TY	REMARKS
1	59063H33G10H000	CYLINDER SET, FRONT MASTER	1	
1-1	57431-29C00-000	SCREW, BRAKE LEVER PIVOT	1	
1-2	57421-29C00-000	LEVEL, BRAKE	1	
1-3	08319-2106A-000	U-NUT	1	
1-4	57460-17C11-000	SWITCH ASSY, STOP	1	
1-5	59600-33GC0-000	CYLINDER ASSY, FRONT MASTER	1	
1-5-1	59689-37G20-000	SCREW	2	
1-5-2	59669-33GC0-000	CAP, RESERVOIR TANK	1	
1-5-3	59667-33GB0-000	DIAPHRAGM	1	
1-5-4	59671-33GB0-000	HOLDER	1	
1-5-5	59675-37G20-000	BOLT	2	
1-5-6	59600-37820-000	PISTON & CUP SET	1	
1-5-6-1	59666-37G20-000	BOOT COMP.	1	

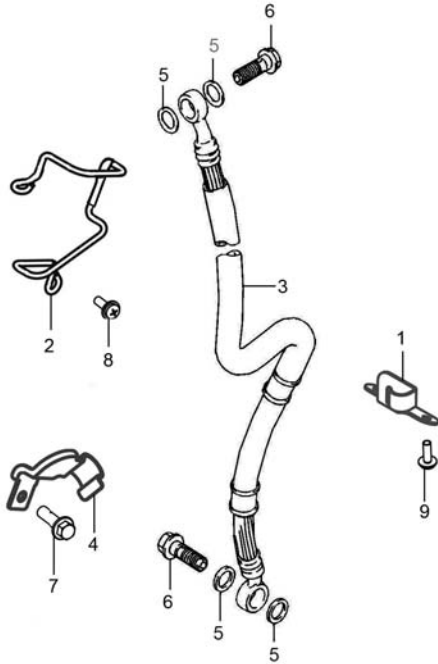
4



Fig. 46

**Fig.46 HOSE,FRONT BRAKE (T06-S435-0020)**

REF. No.	PART No.	DESCRIPTION	Q' TY	REMARKS
1	59260H7H000H000	CLAMP COMP, FR BRAKE HOSE	1	
2	59244H7A010H000	GUIDE, FR BRAKE HOSE	1	
3	59480H33G13H000	HOSE COMP, FRONT BRAKE	1	
4	59540H7H000H000	GUIDE COMP, FR BRAKE HOSE	1	
5	09161-10009-000	WASHER, BRAKE FLUID	4	
6	09360-10039-000	BOLT, BRAKE FLUID	2	
7	01550-0612A-000	BOLT	1	
8	02142-0612A-000	CROSS RECESSED HEAD SCREW	2	
9	02142-0610A-000	CROSS RECESSED HEAD SCREW	2	



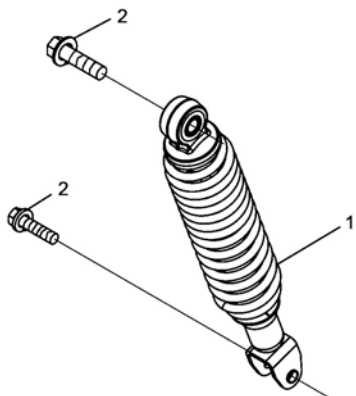
4



Fig. 47

**Fig.47 REARSHOCK ABSORBER (T06-S450-0012)**

REF. No.	PART No.	DESCRIPTION	Q' TY	REMARKS
1	62100H7H010H000	ABSORBER ASSY, REAR SHOCK	1	
2	01570-1040A-000	HEXAGON HEAD BOLT	2	



4

Fig. 48

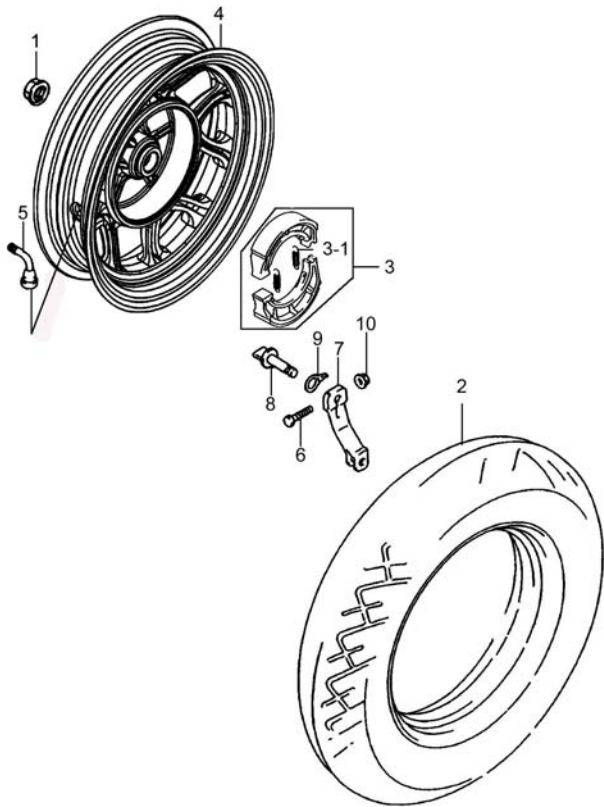


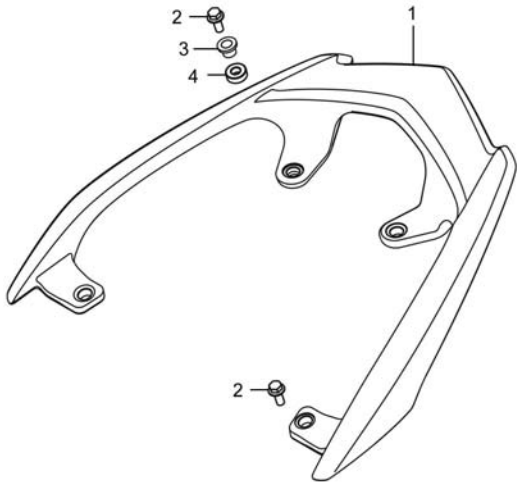
Fig.48 REAR WHEEL (T06-S460-0027)

REF. No.	PART No.	DESCRIPTION	Q' TY	REMARKS
1	64714-37G00-000	NUT, REAR AXLE	1	
2	65110H33GB0H000	TIRE COMP, REAR	1	
3	54400H87Y20H000	SHOE COMP, BRAKE	1	
3-1	55421-45F10-000	SPRING, BRAKE SHOE	2	
4	64150H7H001H000	WHEEL COMP, REAR	1	
5	43130-41DH0-000	VALVE ASSY, WHEEL RIM	1	
6	09100-06139-000	BOLT, BRAKE CAM LEVER	1	
7	64451-20E40-000	LEVER, REAR BRAKE CAM	1	
8	64441H33GC0H000	CAM, REAR BRAKE	1	
9	64492-17BA0-000	PLATE, BRAKE LINING INDICATOR	1	
10	08316-1006A-000	NUT	1	

4



Fig. 49



**Fig.49 CARRIER (T06-S480-0011)**

REF. No.	PART No.	DESCRIPTION	Q' TY	REMARKS
1	46210H7H000H511	HANDLE COMP, PILLION RIDER (MATTE BLACK)	1	
1	46210H7H000H216	HANDLE COMP, PILLION RIDER (ORANGE)	1	
1	46210H7H000H607	HANDLE COMP, PILLION RIDER (BLUE)	1	
1	46210H7H000H841	HANDLE COMP, PILLION RIDER (MATTE GREY)	1	
2	01550-0825A-000	BOLTS, HEXAGON HEAD FLANGE	4	
3	51168H7H000H000	SPACER	2	
4	46212H7J000H000	CUSHION, REAR CARRIER	2	

4





PART NO.	FIG. NO. – REF. NO.	PART NO.	FIG. NO. – REF. NO.	PART NO.	FIG. NO. – REF. NO.	PART NO.	FIG. NO. – REF. NO.
<b>00000</b>		01550-0612A-000	15-8	02142-0610A-000	46-9	08110-62030-000	04-14-4
		01550-0612A-000	23-7	02142-0612A-000	46-8	08113-60010-000	17-7
		01550-0612A-000	27-15	02142-0612B-000	22-5	08113-60010-000	04-14-3
		01550-0612A-000	28-3	02142-0616B-000	33-17	08113-62010-000	17-8
		01550-0612A-000	32-34	03241-0516B-000	31-3	08113-69050-000	07-1-2
01421-0612A-000	14-21	01550-0612A-000	38-11	03241-0516B-000	33-8	08130-62047-000	17-13
01421-0616A-000	13-10	01550-0612A-000	46-7	03241-0516B-000	34-3	08133-62017-000	43-3
01421-0630A-000	02-6	01550-0612B-000	33-11	03241-0516B-000	35-5	08313-10067-000	14-22
01421-0695A-000	02-4	01550-0612B-000	35-4	03241-0516B-000	41-11	08313-2010A-000	15-13
01421-0816A-000	12-6	01550-0616A-000	22-9	03241-0520B-000	33-15	08316-1005A-000	24-4
01500-1016A-000	03-7	01550-0616A-000	32-32	03511-0516B-000	39-12	08316-1006A-000	13-14
01547-0610A-000	01-4	01550-0616A-000	35-13	03541-0412B-000	27-7	08316-1006A-000	22-3
01547-0610B-000	36-14	01550-0616A-000	38-5	03541-0412B-000	33-2	08316-1006A-000	01-6
01547-0610B-000	41-8	01550-0620A-000	13-12	03541-0412B-000	34-4	08316-1006A-000	48-10
01547-0612A-000	04-10	01550-0640A-000	13-13	03541-0412B-000	39-6	08316-1006B-000	38-10
01547-0612B-000	32-31	01550-0812A-000	03-5	03541-0416B-000	33-14	08316-1008A-000	01-7
01547-0620A-000	08-8	01550-0812A-000	04-30	03541-0416B-000	38-14	08316-1012A-000	03-10
01547-0620A-000	01-19	01550-0812B-000	14-14	03541-0416B-000	39-5	08319-2105A-000	37-11-7
01547-06257-000	04-11	01550-0825A-000	49-2	03541-0512A-000	22-8	08319-2106A-000	45-1-3
01547-0625A-000	14-19	01550-0840B-000	42-3	03541-0516A-000	23-2	08319-3112A-000	28-8
01547-0625A-000	19-2	01550-1040A-000	12-4	03541-0516B-000	38-15	08319-3112A-000	43-7
01547-0625A-000	04-16	01570-1040A-000	47-2	03541-0516B-000	41-4	08322-0110B-000	29-3
01547-06307-000	04-12	02112-0510A-000	41-6	03541-0520B-000	11-1-11	08331-31149-000	18-6
01547-0630A-000	04-24	02112-0520A-000	15-11	03541-0620A-000	15-10	08331-31229-000	17-14
01547-0635A-000	04-17	02112-05308-000	37-11-5	04111-3020A-000	29-4	08341-31039-000	20-3
01547-0655A-000	03-3	02112-0610B-000	36-15	04211-11129-000	02-5	08361-3506A-000	22-2
01547-06607-000	04-13	02112-0612B-000	11-3	04211-11129-000	01-5	09100-06139-000	48-6
01547-0660A-000	04-25	02112-1625A-000	15-9	07120-0830A-000	44-2	09100H05004H000	22-11
01547-0675A-000	03-4	02112-3512B-000	11-1-10	07130-0512B-000	20-4	09103-06247-000	08-4
01547-0695A-000	04-18	02122-0612A-000	01-21	07130-0525A-000	20-2	09103H12003H000	03-9
01550-0510A-000	01-14	02122-0616A-000	17-16	07130-0616A-000	06-5	09106-05028-000	07-3
01550-0610A-000	32-30	02122-0625A-000	14-8	07130-0616B-000	41-16	09106-07011-000	01-12
01550-0610A-000	38-3	02132-0516A-000	23-3	07130-0620A-000	37-11-6	09106-10092-000	36-2
01550-0612A-000	10-7	02142-0512B-000	39-4	08110-62020-000	17-5	09106H06006H000	12-1-8
01550-0612A-000	13-11	02142-0516B-000	11-1-9	08110-62030-000	17-12	09108-08299-000	02-3

5

PART NO.	FIG. NO. – REF. NO.	PART NO.	FIG. NO. – REF. NO.	PART NO.	FIG. NO. – REF. NO.	PART NO.	FIG. NO. – REF. NO.	
09111-06066-000	33-7	09168-06018-000	04-28	09283H20010H000	17-4	09404-06038-000	27-6	
09111H10004H000	29-9	09168-06122-000	12-1-10	09283H22001H000	05-9	09407-11401-000	27-2	
09113-06008-000	31-6	09168-08008-000	14-20	09283H25007H000	05-10	09407-14403-000	27-3	
09116-06144-000	38-16	09168-08008-000	03-6	09284-34003-000	16-1-12	09407-18402-000	27-4	
09116-06171-000	11-9	09168-08008-000	04-29	09289H05021H000	07-6	09407-18402-000	41-23	
09136-05040-000	37-6	09168-10017-000	15-6	09319-10032-000	03-1-3	09409-06322-000	41-19	
09136H05002H000	26-4	09168-10L01-000	03-8	09320-08047-000	38-9	09409-07333-000	15-7	
09136H06155H000	32-36	09168H06002H000	12-1-6	09320-09050-000	04-9	09440-03013-000	06-4-2	
09137-05004-000	19-3	09169-06071-000	38-6	09320H08011H000	36-17	09440-18002-000	14-13	
09139-06028-000	12-1-2	09169-06082-000	41-15	09320H10023H000	12-1-5	09471-12077-000	23-1-5	
09139-06048-000	27-13	09169-06086-000	04-8	09352-70103-850	32-26	09471-12081-000	24-1-4	
09139H06009H000	31-7	09180H06336H000	12-1-4	09360-10039-000	46-6	09471-12081-000	26-3-2	
09139H06009H000	35-2	09181-12167-000	17-3	09381-14001-000	05-4	09471-12128-000	26-1-3	
09140-12039-000	16-5	09181-35025-000	05-6	09381-24005-000	16-1-13	09471H12001H000	24-1-3	
09140-12039-000	18-8	09206-08001-000	03-1-2	09383-05001-000	14-7	09471H12019H000	25-1-2	
09140-28004-000	16-1-9	09206-08001-000	04-7	09400H87Y10H000	09-1-25	09471H12019H000	25-2-2	
09148-04024-000	26-2	09206-13007-000	06-2	09401-07201-000	10-9	09471H12019H000	26-1-4	
09148-05L08-000	31-2	09209-10001-000	36-11	09401-08414-000	10-6	09482-00406-000	01-15	
09148-05L08-000	33-4	09229H03001H000	28-11	09401-09101-000	32-29	09491H92030H000	09-1-8	
09148-05L08-000	34-2	09250-30021-000	15-5-5	09401-09403-000	32-33	09492-34005-000	09-1-15	
09148-05L08-000	35-6	09261-05005-000	07-4	09401-10410-000	10-10	09800H20028H000	41-20	
09150-05101-000	36-10	09261-10004-000	06-4-3	09401-10410-000	32-28			
09159-08158-000	12-5	09262-15037-000	07-1-1	09401-11413-000	32-27			
09159-10115-000	36-3	09262-15051-000	16-1-10	09401-18417-000	13-8			
09159H10097H000	29-10	09262-20151-000	17-6	09401-20403-000	13-16			
09160-06088-000	28-5	09262-20151-000	04-14-2	09401-20404-000	13-9			
09160-06159-000	12-1-9	09262-25143-000	05-7	09401-21408-000	13-15			
09160-06164-000	12-1-3	09262-35080-000	05-8	09401H12302H000	11-1-8	<b>10000</b>		
09160-08039-000	01-3	09263-20105-000	16-1-11	09401H14401H000	11-1-6			
09160-10143-000	12-3	09280-13004-000	14-11	09401H82300H000	09-1-12			
09160-14053-000	18-5	09280-17003-000	04-27	09402-40202-000	01-18		11110-33GE0-000	01-1
09161-10009-000	46-5	09280-24003-000	19-1-4	09402-40202-000	04-21		11141H33G00H000	01-2
09164-12020-000	16-6	09280-54001-000	14-12	09402-44203-000	11-1-4	11170-33GD0-000	01-8	
09164-12020-000	18-9	09280H28002H000	01-17	09403-12406-000	36-12	11173-33G50-000	01-9	
09168-06004-000	08-5	09283-27015-000	17-11	09404-06038-000	09-2	11176-33G00-000	01-10	

PART NO.	FIG. NO. – REF. NO.	PART NO.	FIG. NO. – REF. NO.	PART NO.	FIG. NO. – REF. NO.	PART NO.	FIG. NO. – REF. NO.
11177-33G00-000	01-11	12830H33G00H000	08-6	13503-21JA0-000	09-1-3	16525-33G00-000	14-18
11191-27E80-000	01-13	12837H33G50H000	08-7	13551H82300H000	09-1-24	17110-33G00-000	15-1
11210-33GF0-0F0	02-1	12840-33GA0-000	07-7	13650-26H10-000	09-3	17116-33G00-000	15-2
11241-33G00-000	02-2	12842-49260-000	07-7-1	13655-26H10-000	09-4	17120H7A000H000	15-3
11300H25Y50H000	03-1	12843-39J30-000	07-7-2	13656-21JA0-000	09-5	17122-33G00-000	15-3-1
11315H33G20H000	03-1-1	12861-33G00-000	07-8	13686-21JA0-000	09-1-11	17123-33G00-000	15-3-2
11325-33GA0-000	03-2	12862-33G00-000	01-20	13700H7A005H000	11-1	17124-33G10-000	15-12
11340H7A010H000	04-1	12911-28G50-000	07-9	13725-33G90-000	11-1-12	17125H33G20H000	15-4
11346-33G00-000	04-2	12912-33G50-000	07-10	13726-33G90-000	11-1-3	17130-33GF0-000	15-5
11351H21J00H000	04-22	12921-36H00-000	07-11	13741H7A001H000	11-1-1	17132-33G00-000	15-5-1
11371H7H000H000	04-3	12931-09G10-000	07-12	13780H7A001H000	11-1-2	17133-33G00-000	15-5-2
11375H7A000H000	04-4	12932-36H00-000	07-13	13850H7A002H000	11-10	17134-20E00-000	15-3-3
11376H7A000H000	04-5	12933-09G10-000	07-14	13857-33GB0-000	11-2	17134-20E00-000	15-5-3
11381-33GA0-000	04-19	12954-33G00-000	07-5	13863H85100H000	11-1-7	17136-20E00-000	15-5-4
11385H33GB0H000	04-20	13110H21J20H000	01-16	13871-33GB0-000	11-1-5	17139-33G00-000	15-5-6
11400H25Y01H000	04-14	13200H7A002H000	09-1	13891H7A000H000	11-4	18450-34H10-000	13-1
11431-33G01-000	04-14-1	13221H50100H000	09-1-20	13893H7A000H000	11-7	18461H7A000H000	13-2
11482H33G00H000	04-6	13231H50100H000	09-1-10	13894-33GF0-000	11-8	18510-21J00-000	10-1
11483-33G00-000	04-23	13250H50100H000	09-1-7	13898-33GE0-000	11-6	18511-21J00-000	10-2
11484-33G00-000	04-15	13251H50100H000	09-1-19	13899-33GE0-000	11-5	18560H21J00H000	10-8
11971H33G01H000	04-26	13257H82300H000	09-1-2	14036H7H010H000	12-1	18561-21J00-000	10-3
12065H33GA0H000	06-4	13263H50100H000	09-1-18	14181-33G00-000	12-2	18562-21J00-000	10-4
12111-28G10-0F0	05-1	13264H50100H000	09-1-17	14791H7H000H000	12-1-1	18567H7H000H000	10-11
12140H20G80H000	05-2	13267H50100H000	09-1-13	14792H7H000H000	12-1-7	18569-21J00-000	10-5
12151-20G00-000	05-3	13268H50100H000	09-1-14	16310H33GB0H000	14-1	18611-21J00-000	13-3
12200H33G01H000	05-5	13279H82300H000	09-1-16	16331-33G00-000	14-2	18612-21J00-000	13-4
12611-33G00-000	06-1	13300H73Y00H000	09-1-26	16400-33G00-000	14-3	18700H21J00H000	13-5
12620-33G20-000	06-3	13342-21JA0-000	09-1-5	16421-20E00-000	14-4	18711-21J00-000	13-6
12633-20E00-000	06-4-1	13370H50100H000	09-1-9	16422-20E00-000	14-6	18712-21J00-000	13-7
12649-30D00-000	06-4-4	13383H7A000H000	09-1-6	16422-33G00-000	14-5		
12710-33GA0-000	07-1	13388H82300H000	09-1-4	16510-26H00-000	14-9	<b>20000</b>	
12741H7A000H000	07-2	13421H82300H000	09-1-23	16512-33G00-000	14-10		
12760-36H00-000	08-1	13430H7A000H000	09-1-21	16520-09410-000	14-15		
12771H7A010H000	08-2	13432H7A000H000	09-1-22	16523-20E00-000	14-16		
12811H7A010H000	08-3	13500H82300H000	09-1-1	16524-20E20-000	14-17		

**5**

PART NO.	FIG. NO. – REF. NO.	PART NO.	FIG. NO. – REF. NO.	PART NO.	FIG. NO. – REF. NO.	PART NO.	FIG. NO. – REF. NO.
21011H33GB0H000	16-4	<b>30000</b>		34173H7H000H000	23-1-4	37520H7D000H000	37-5
21111-33G00-000	16-4-1			34810H7A002H000	32-35	38500H7C100H000	27-14
21120-33G00-000	16-4-2			34825H85200H000	32-37	38610H37G02H000	25-4
21125-33G00-000	16-4-3			34910H7H002H000	23-4		
21200-41H00-000	16-1			34938-33GA0-000	23-5		
21210-41H00-000	16-1-1	31100-33G01-000	19-1	34938-33GB0-000	23-6	<b>40000</b>	
21220-41H00-000	16-2	31150-33G00-000	19-1-1	35100H7H001H000	24-1		
21240-33G01-000	16-1-2	31156-05530-000	19-1-5	35121H7H000H000	24-1-1		
21243-33G00-000	16-1-3	31175-33G01-000	19-1-2	35151-21J00-000	24-2		
21245-33G00-000	16-1-4	31264-05530-000	19-1-3	35171H7H000H000	24-1-2		
21248-33G00-000	16-1-5	31281-33G00-000	19-1-6	35601H7H000H000	25-1	41100H7HY00H000	28-1
21249-33G00-000	16-1-6	31361-055A0-000	19-1-7	35602H7H000H000	25-2	41170-33G01-000	28-14
21431-33G00-000	16-4-4	31361-055B0-000	19-1-8	35618H7H000H000	25-1-1	41180H7H000H000	28-6
21471-33G00-000	16-1-7	31792-33G00-000	20-5	35638H7H000H000	25-2-1	41182H7A001H000	28-7
21481-33G40-000	16-4-5	31800-49110-000	22-1	35710H7H000H000	26-1	41185-33G20-000	28-9
21501-41H00-000	16-1-8	32100-04H20-000	20-1	35718H7H000H000	26-1-2	41186-33G10-000	28-15
21650-33G80-000	16-4-6	32101-04H20-000	20-1-1	35720H7H000H000	26-1-1	41244H7H001HN00	38-7
24131-33G10-000	17-1	32102-04H20-000	20-1-2	35910H7H002H000	26-3	41245H7H001HN00	38-8
24141-33G10-000	17-9	32800H51031H000	22-4	35918H7A200H000	26-3-1	41330H7H000H000	28-2
24150-33G10-000	17-2	32900H7H000H000	22-6	35950H7A010H000	24-3	41522-33GC0-000	28-12
24371-33G10-000	17-10	32931H7H000H000	22-7	35970H2C001H000	26-6	41523-33GG0-000	28-13
24751-07900-000	17-15	33410H87700H000	22-10	36610H7H002H000	27-1	42100-33G50-000	29-1
26200-16F40-000	18-7	33415-33G10-000	22-12	36611-20ER0-000	27-9	42113-33G00-000	29-5
26210-33GB0-000	18-1	33510-04H10-000	22-10-1	36618H79201H000	27-10	42191-33GA0-000	29-6
26212-46F01-000	18-2	33541-47D00-000	22-10-2	36651-12F10-000	27-5	42211-16F11-000	29-2
26213-46F00-000	18-3	33542-33G00-000	22-10-3	36651-33G90-000	27-8	42241-04H00-000	29-11
26214-33GA0-000	18-4	33620H7F010H000	21-1	36656H7D000H000	25-5	42251-32G00-000	29-7
26231-33G00-000	18-10	33652-08410-000	33-13-2	37011H7H010H000	27-16	42310H7A000H000	29-8
26300-33G50-000	18-11	33652H7A200H000	21-2	37100H7H000H000	27-11	43125H7H000H000	29-12
26314-33G00-000	18-12	33810-33G80-000	22-13	37140H7AY00H000	27-17	43130-41DH0-000	43-13
27601-21J10-000	16-3	33860H7A000H000	21-3	37187-20E00-000	27-12	43130-41DH0-000	48-5
		34100H7H000H000	23-1	37310H7D000H000	37-1	43551H7H000H000	31-9
		34111H7H000H000	23-1-2	37340H7D000H000	37-2	43600H7A000H000	30-1
		34113H7H000H000	23-1-3	37420H7D001H000	37-3	43700H7A000H000	30-2
		34150H7H000H000	23-1-1	37510H7D000H000	37-4	43712-33GA0-000	30-3

PART NO.	FIG. NO. – REF. NO.	PART NO.	FIG. NO. – REF. NO.	PART NO.	FIG. NO. – REF. NO.	PART NO.	FIG. NO. – REF. NO.
43731-33G10-000	30-4	45280H7H000H000	41-5	48118H7H000H607	33-5	51611H2A201H000	28-1-1
44011H7A030H000	32-1	45700-09GA0-000	41-7	48118H7H000H628	33-5	51611H2A201H000	42-7
44199-33G60-000	32-1-1	46210H7H000H216	49-1	48118H7H000H841	33-5	51612H7E000H000	28-1-2
44211-04H30-000	32-1-2	46210H7H000H511	49-1	48121H7H001H000	31-5	51612H7E000H000	42-8
44240-45F32-000	32-24	46210H7H000H607	49-1	48125H7H000H000	31-8	51620H7E001H000	42-14
44261-33G00-000	32-8	46210H7H000H841	49-1	48131H7H000H511	33-3	51621H2A200H000	42-9
44281-04HA0-000	32-5	46212H7J000H000	49-4	48137H7H000H000	33-6	51622H7E000H000	42-6
44281-33GB0-000	32-7	47011H7H001HF01	34-11	48138H7H000H000	33-12	51631-48H00-000	42-15
44281-34F30-000	32-3	47011H7H001HF03	34-11	48139H7H000H000	33-10	51632H7A000H000	42-10
44281-37G00-000	35-14	47011H7H001HF04	34-11	48150H7H000H000	28-4	51635-33GA0-000	42-11
44281H7A000H000	32-6	47011H7H00AHF01	34-10	48171H7H000H000	34-1	51643H7A000H000	42-12
44300-37G10-000	32-9	47011H7H00AHF02	34-10	48181H7H000H000	34-5	51644-04H00-000	42-5
44322-27002-000	32-10	47021H7H002HF01	34-13			53113H7H000H000	35-8
44330H45F11H000	32-11	47021H7H002HF03	34-13			53114H7H000H000	35-9
44331-33GA0-000	32-12	47021H7H002HF04	34-13			53115H7H000H000	35-10
44338H7A000H000	32-13	47021H7H00BHF01	34-12			53116H7H000H000	35-11
44339H7A000H000	32-14	47021H7H00BHF02	34-12			53145-48B00-000	32-4
44419-33GB0-000	32-15	47112H7H001H000	34-6	<b>50000</b>		53181H7H000H129	35-3
44421H7A001H000	32-16	47183H33GG0H000	41-18			53181H7H000H216	35-3
44422-33GB0-000	32-17	47212H7H001H000	34-7			53181H7H000H517	35-3
44425-33GB0-000	32-18	47213H7H000H000	41-21	51103H7H010H000	42-1	53181H7H000H607	35-3
44434H7A002H000	32-19	47215H7H001H000	41-22	51104H7H010H000	42-2	53181H7H000H628	35-3
44435H7A000H000	32-20	47311H7H000H129	34-8	51147-05320-000	42-1-4	53181H7H000H901	35-3
44480-33GB0-000	32-22	47311H7H000H517	34-8	51147-05320-000	42-2-4	53182H7H000H000	35-1
44482-33GB0-000	32-21	47311H7H000H628	34-8	51148-05320-000	42-1-5	53191H7H001H000	35-7
44661H7A001H000	32-1-4	47311H7H000H835	34-8	51148-05320-000	42-2-5	54111H7H000H000	43-1
44662-04H30-000	32-1-3	47311H7H000H901	34-8	51153-45F40-000	42-1-1	54400H87Y20H000	48-3
44663-04H30-000	32-2	47321H7H000H000	34-9	51153-45F40-000	42-2-1	54600H7H020H000	43-8
44890H7H000H000	32-23	47351H7H002H000	31-1	51156-45F40-000	42-1-2	54601H77002H000	43-9
44894-45F10-000	32-25	47371H7H000H000	41-13	51156-45F40-000	42-2-2	54711H7H000H000	43-5
45100H7H000H000	41-1	48111H7H000H517	33-1	51168H7H000H000	49-3	54731H7H001H000	43-4
45148-20G00-000	41-1-2	48111H7H000H835	33-1	51173-45F40-000	42-1-3	54741H7H000H000	43-6
45160H7H000H000	41-1-1	48111H7H000H901	33-1	51173-45F40-000	42-2-3	54742H7M000H000	43-2
45211-33G50-000	41-2	48118H7H000H129	33-5	51410H7H001H000	42-4	55110H77020H000	43-12
45271-32G10-000	41-3	48118H7H000H216	33-5	51610H2A200H000	42-13	55165-66310-000	44-1-3

**5**

5

PART NO.	FIG. NO. – REF. NO.	PART NO.	FIG. NO. – REF. NO.	PART NO.	FIG. NO. – REF. NO.	PART NO.	FIG. NO. – REF. NO.	
55421-45F10-000	48-3-1	59244H7A010H000	46-2	64714-37G00-000	48-1	68722H7A050HR80	34-13-2	
56110H7H000H000	36-1	59260H7H000H000	46-1	65110H33GB0H000	48-2	68722H7A050HR83	34-13-2	
56311H7H001H517	39-1	59300H20E82H000	44-1	68151H7A050HR79	33-23	68722H7A060HR81	34-12-2	
56311H7H001H835	39-1	59300H7JY10H000	44-1-1	68151H7A050HR80	33-23	68722H7A060HR82	34-12-2	
56311H7H001H901	39-1	59350H20E21H000	44-1-4	68151H7A050HR83	33-23	68723H7A050HR79	34-13-3	
56315H7H001H000	39-7	59421-20E00-000	43-11	68151H7A060HR81	33-24	68723H7A050HR80	34-13-3	
56318H7H001H000	39-9	59480H33G13H000	46-3	68151H7A060HR82	33-24	68723H7A050HR83	34-13-3	
56321H7H000H000	39-2	59540H7H000H000	46-4	68311H56110H000	28-10	68723H7A060HR81	34-12-3	
56325H7H003H000	39-8	59600-33G00-000	45-1-5	68319H79000H000	40-1	68723H7A060HR82	34-12-3	
56328H7H003H000	39-10	59600-37820-000	45-1-5-6	68332H87510H000	40-3	68911-37G40-000	40-2	
56331H7H001H511	39-3	59666-37G20-000	45-1-5-6-1	68600H7A050HR79	33-25	68920H7A010H000	40-6	
56500H7H000H000	36-5	59667-33GB0-000	45-1-5-3	68600H7A060HR81	33-22			
56600H7H000H000	36-4	59669-33G00-000	45-1-5-2	68600H7A060HR82	33-22			
57100H80100H000	37-7	59671-33GB0-000	45-1-5-4	68611-33G40-000	40-5			
57110H7A000H000	37-8	59675-37G20-000	45-1-5-5	68711H7A050HR79	34-11-1			
57211H7A010H000	37-9	59689-37G20-000	45-1-5-1	68711H7A050HR80	34-11-1			
57315-33G00-000	37-10			68711H7A050HR83	34-11-1			
57336-09D00-000	37-11-8			68711H7A060HR81	34-10-1	<b>90000</b>		
57421-29C00-000	45-1-2			68711H7A060HR82	34-10-1			
57431-29C00-000	45-1-1			68712H7A050HR79	34-11-2			
57435-12900-000	37-11-4			68712H7A050HR80	34-11-2		92011H7H000H000	33-13
57460-17C11-000	45-1-4			68712H7A050HR83	34-11-2		92112H7H001H000	33-18
57470-20E00-000	37-11-3	<b>60000</b>		68712H7A060HR81	34-10-2	92113H7H000H000	33-20	
57500H7A001H000	37-11			68712H7A060HR82	34-10-2	92114H7D000H000	33-13-1	
57511H7A000H000	37-11-1			68713H7A050HR79	34-11-3	92122H7H000H000	33-19	
57621H7A001H000	37-11-2		62100H7H010H000	47-1	68713H7A050HR80	34-11-3	92125-33G00-000	25-3
58300-33GH1-000	36-6	63111H7H000H000	38-1	68713H7A050HR83	34-11-3	92125-33G00-000	26-5	
58510-33GE1-000	36-7	63112H7H000H000	38-4	68713H7A060HR81	34-10-3	92125-33G00-000	31-4	
58521-04H00-000	36-16	63113-33GE0-000	38-2	68713H7A060HR82	34-10-3	92125-33G00-000	33-9	
58562-04H00-000	36-13	63151H7H000H000	38-12	68721H7A050HR79	34-13-1	92125-33G00-000	35-12	
58575-37B00-000	36-8	63152H7H000H000	38-13	68721H7A050HR80	34-13-1	92125-33G00-000	39-11	
58577-33G00-000	36-9	64150H7H001H000	48-4	68721H7A050HR83	34-13-1	92130-20E00-000	33-21	
59063H33G10H000	45-1	64441H33G00H000	48-8	68721H7A060HR81	34-12-1	92171-32G00-000	33-16	
59121H20E20H000	44-1-2	64451-20E40-000	48-7	68721H7A060HR82	34-12-1	92211H7H001H000	41-9	
59221-33GB0-000	43-10	64492-17BA0-000	48-9	68722H7A050HR79	34-13-2	92216H33GG0H000	41-17	



PART NO.	FIG. NO. – REF. NO.
92219-04H00-000	41-10
92223-33G00-000	41-14
92223-33GJ0-000	41-12
94830H7H000H000	38-17
94840H7H000H000	38-18
99011H7H021H000	40-4

# Haojue VS125 PARTS CATALOGUE

---

1st Edition

Published in 2020.12

## DACHANGJIANG GROUP CO.,LTD.

No.5, Jiandabei Rd., Jiangmen City, Guangdong Province, P.R.China

Tel: 86-750-3288999 Fax: 86-750-3230989 Code: 529000

---

DACHANGJIANG GROUP COPYRIGHT POSSESSION.

DACHANGJIANG GROUP CO. , LTD.